



SHOX5

8100 SEAT INFOSET

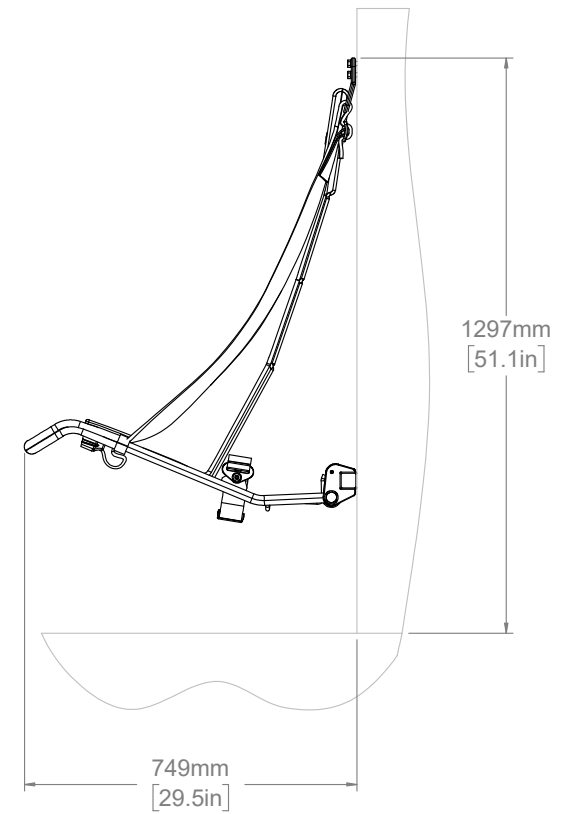
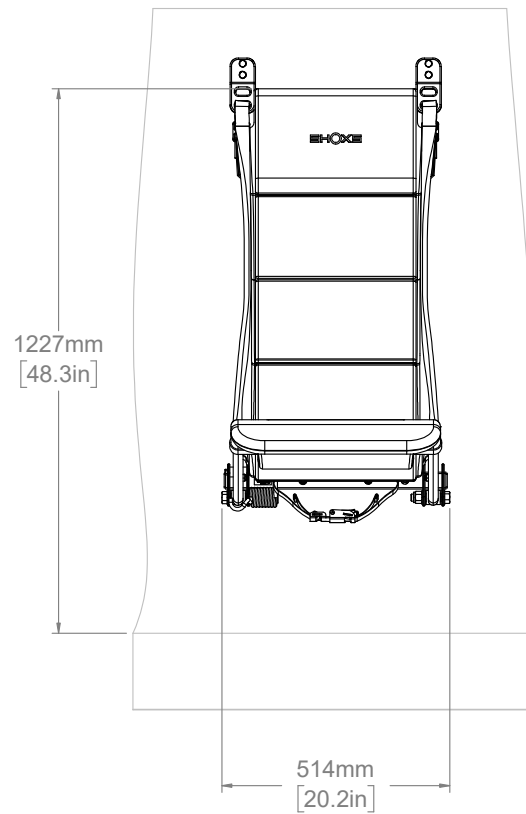
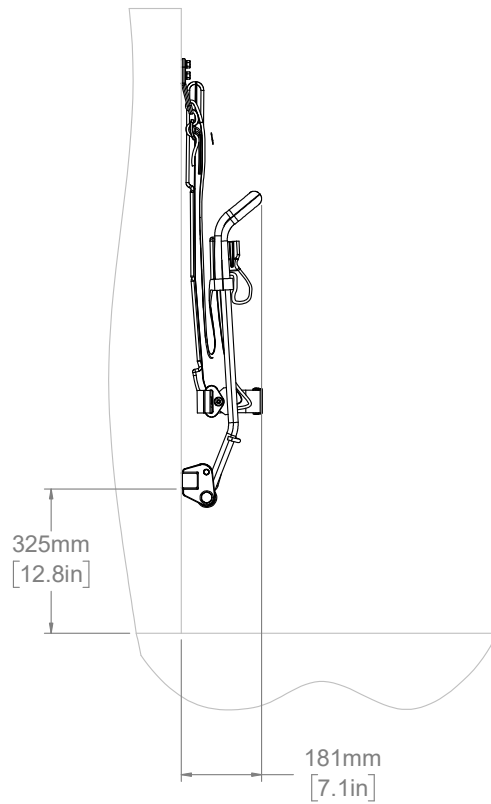
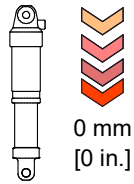


8100 SEAT OVERVIEW

Human Engineering Reference MIL-STD-1472G

Material Aluminum 316 SS

Base Weight 5.8 kg / 13 lb





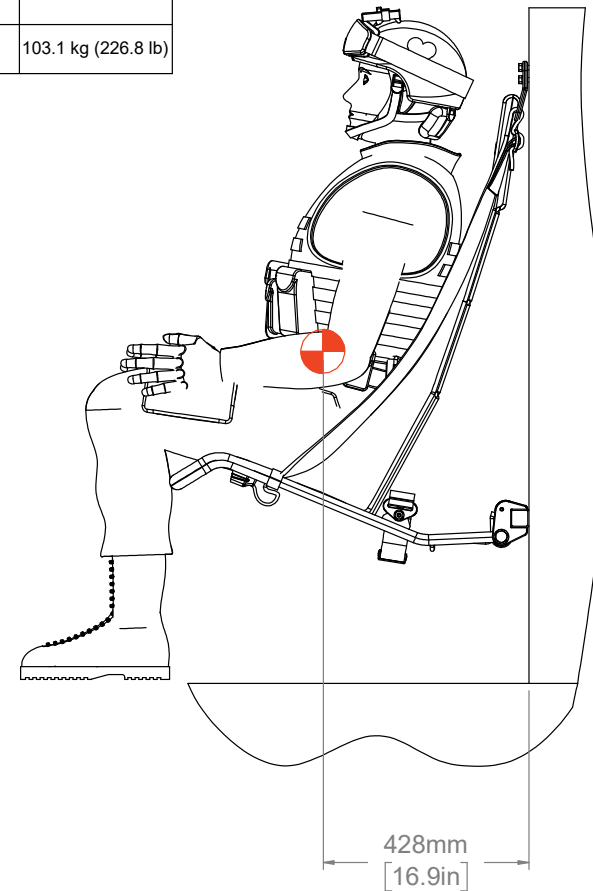
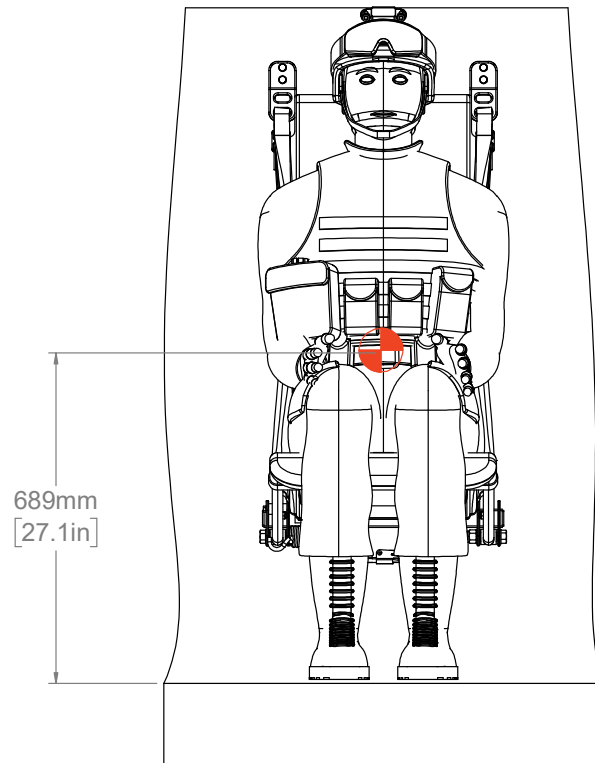
8100 SEAT CENTER OF MASS

Human Engineering Reference MIL-STD-1472G

Material Aluminum 316 SS

Base Weight 5.8 kg / 13 lb

MASS OF SEAT	5.9 kg (13.0 lb)
MASS OF 95TH PERCENTILE MALE	97.2 kg (213.8 lb)
TOTAL MASS	103.1 kg (226.8 lb)



 CENTER OF MASS

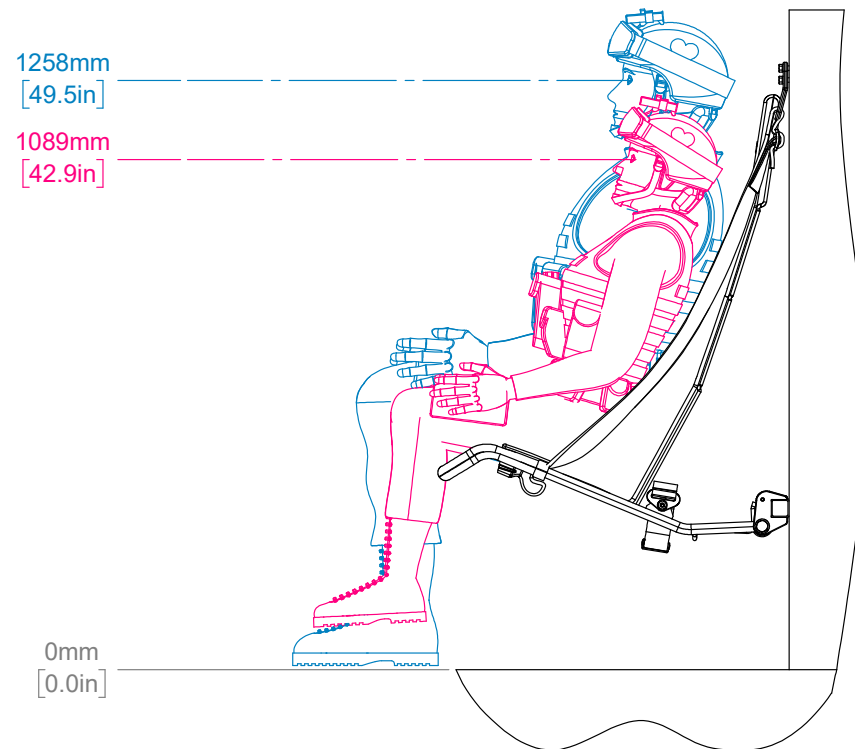
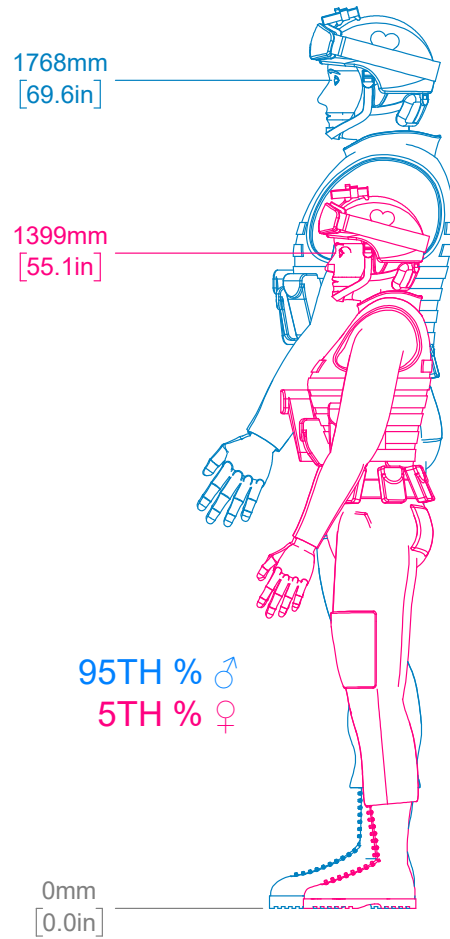


8100 SEAT SIGHTLINES

Human Engineering Reference MIL-STD-1472G

Material Aluminum 316 SS

Base Weight 5.8 kg / 13 lb



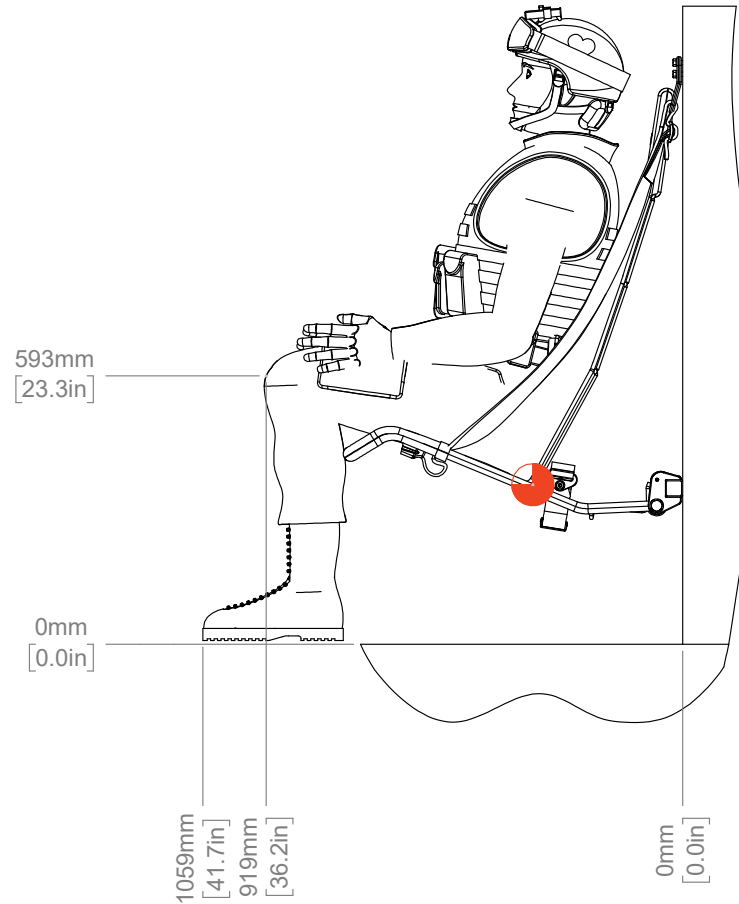
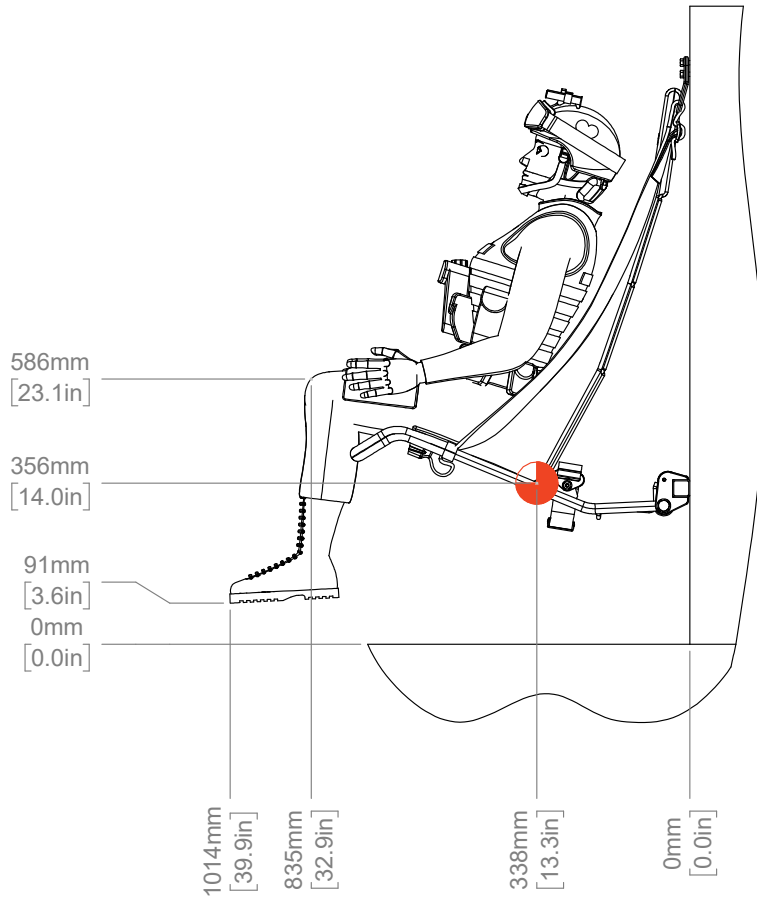


8100 SEAT CONSOLE ERGONOMICS

Human Engineering Reference MIL-STD-1472G

Material Aluminum 316 SS

Base Weight 5.8 kg / 13 lb



 SEAT REFERENCE POINT (SRP)

ALLSALT MARITIME OWNER OF SHOXS AND KINETIX / ALLSALT.COM / SHOXS.COM / 1 (888) 637.4697



8100 SEAT SPACING

Human Engineering Reference MIL-STD-1472G

Material Aluminum 316 SS

Base Weight 5.8 kg / 13 lb

