



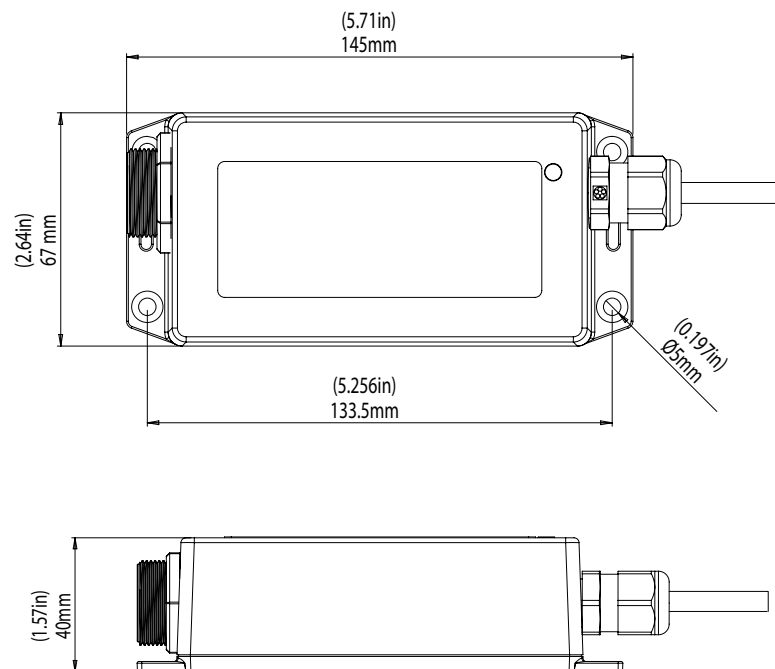
LUMI-LINK™



# Lumi-Link™ for Garmin OneHelm™ MFD Bridge

CONTROL YOUR LIGHTS VIA MFD OR IOS CONNECTED DEVICE

PART DESCRIPTION	LUMI-LINK™ BRIDGE MODULE FOR GARMIN ONEHELM™
Part Number	EOS Model - 60-0322 SUPRA Model - 60-0353
For Use With	EOS System: EOS Min-i and EOS 2203-i Controllers SUPRA System: SUPRA Lumi-Hub (Lumi-Link Compatible)
Ingress Protection Rating	IP67
Features	Full Lumi-Link capability for control with a certified MFD Wi-Fi Control via iOS connected device (via MFD Wi-Fi) Specially designed for ease of Installation Works with EOS and SUPRA Series lights
Warranty	2 years
User Control Options	MFD Screen EOS Controller (EOS System Only) iOS Wi-Fi Connected Device (via MFD)



# Lumi-Link™ for Garmin OneHelm™ MFD Bridge

CONTROL YOUR LIGHTS VIA MFD OR CONNECTED DEVICE



## TECHNICAL

Supply Voltage Range	10.5 - 31 V DC
Max Current Draw 12/24V	2 A
Garmin MFD Compatibility	84xx or 86xx Series (software update may be required)
Power Line Noise Suppression	Built in Noise Filter
Reverse Polarity Protection	Yes

## PHYSICAL

Water Ingress Protection Rating	IP67
Size - Not Including Cable Glands (LxWxH)	145mm x 67mm x 40mm (5.71" x 2.64" x 1.57")
Box Construction	Robust Weatherproof PVC

## MFD BRIDGE LIGHTING SYSTEM FUNCTIONALITY

Controller Function	MFD Bridge
Manufacturer Preset Colors	Yes
EOS Min-i	Full EOS control from MFD screen, or EOS Min-i Controller
EOS 2203-i	Full EOS control from MFD screen, or EOS 2203-I Controller
SUPRA	Full SUPRA control from MFD screen



## EOS SYSTEM

The MFD Bridge sits between the EOS Controller and the MFD. All lights can be controlled directly from the MFD, or the EOS Controller.

## SUPRA SYSTEM

The MFD Bridge sits between the SUPRA i-Connect Hub and the MFD. All lights can be controlled directly from the MFD.



The world's first marine lighting API (Application Programming Interface) allowing plug-&-play integration of Lumishore SUPRA & EOS underwater lighting systems with a single cable to your Multi-Function Display (MFD) creating a centralized control platform for the entire vessel reducing helm clutter and simplifying vessel operation. Now available for Garmin OneHelm™ MFDs.

