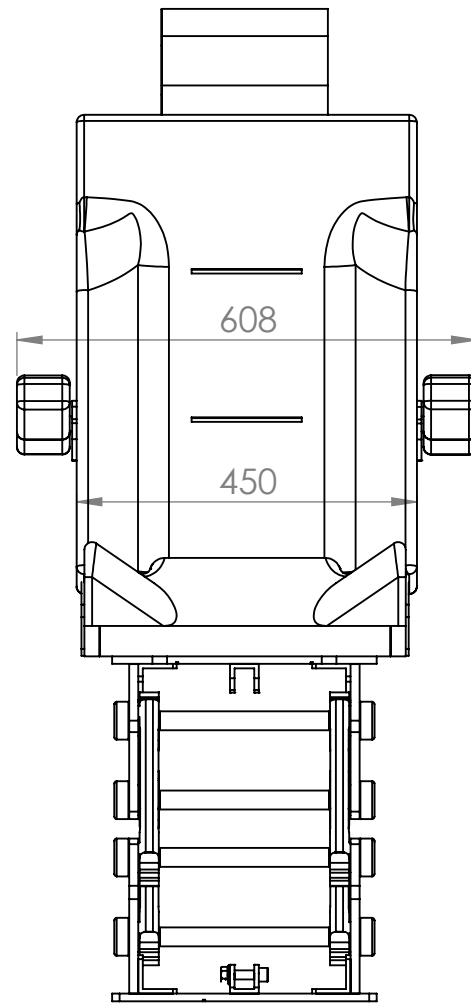
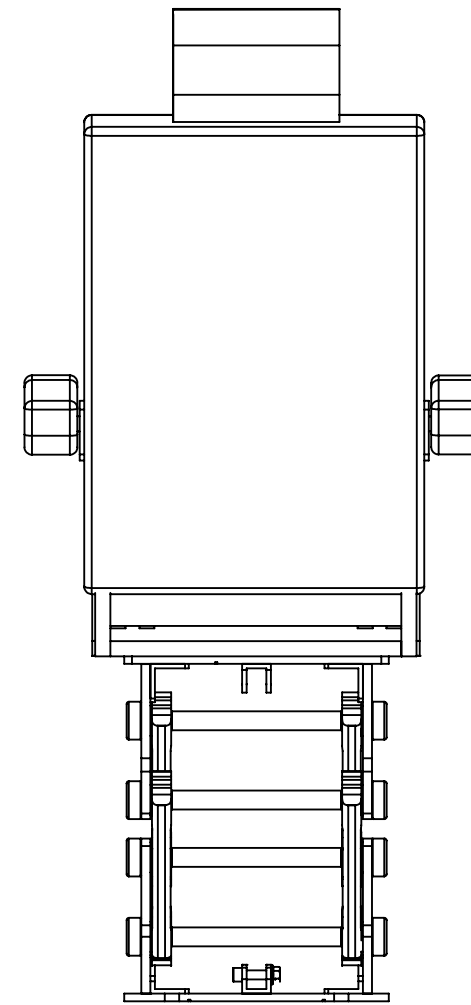


SCALE 1 : 10



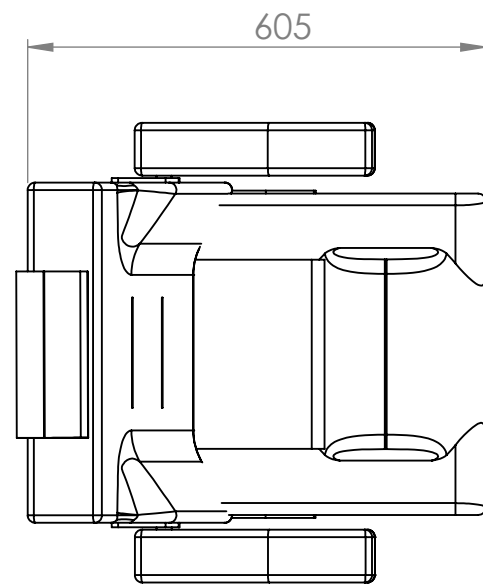
SCALE 1 : 10



SCALE 1 : 10



SCALE 1 : 10



SCALE 1 : 10

UNLESS OTHERWISE SPECIFIED: DIMENSIONS ARE IN MILLIMETERS SURFACE FINISH: TOLERANCES: LINEAR: ANGULAR:				FINISH:		DEBUR AND BREAK SHARP EDGES		DO NOT SCALE DRAWING		REVISION	
DRAWN				NAME		SIGNATURE		DATE		TITLE:	
CHK'D										S2H Helmsman Seat	
APPV'D											
MFG										DWG NO.	
Q.A								MATERIAL:		A3	
								WEIGHT:		SCALE:1:20	
										SHEET 1 OF 1	