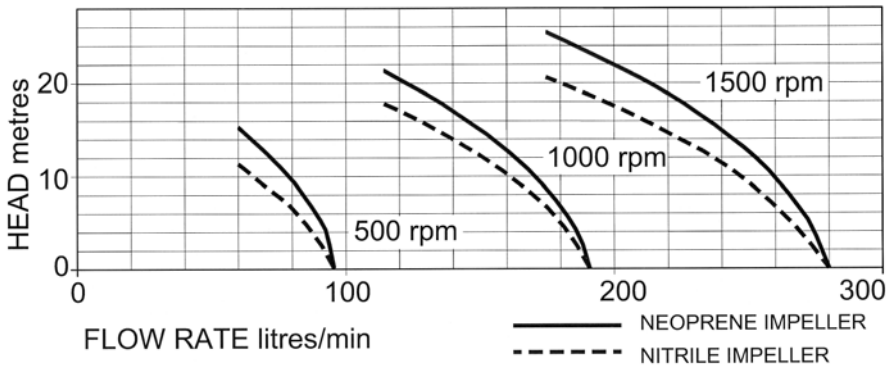


**PERFORMANCE:**

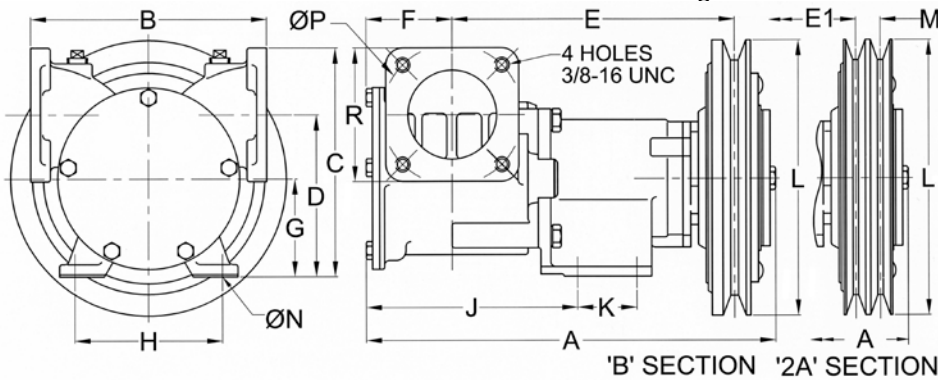


MODEL	Maximum flow rate		Maximum head	
	l/min	gall/min	metres	feet
50270-0**1	300	66	25	82
50270-0**3	300	66	20	65

Max Power absorbed 1800 watt at 1500rpm

**DIMENSIONS:**

**WEIGHT: 12.2Kg**



A	B	C	D	E	E1	F	G	H	J	K	L	M	N	P	R
264	152	148	105	182	174	56	64	95	136	38	Ø178	15.8	Ø10	Ø90	86

**MATERIALS OF CONSTRUCTION:**

<b>Body</b>	Bronze head, Cast Iron bearing housing
<b>Impeller</b>	Neoprene or Nitrile
<b>Wearplate</b>	Replaceable
<b>Shaft</b>	Stainless steel type 316
<b>Shaft seal</b>	Mechanical, Carbon-Ceramic
<b>Bearings</b>	Twin single row, ball type
<b>Port type</b>	2" Flanged
<b>Clutch type</b>	Electro-magnetic 12v or 24v dc
<b>Pulley</b>	178mm dia A or B section

**MODELS:**

- 50270-0011 Flanged ports, 12v 2A groove, Neoprene Impeller
- 50270-0111 Flanged ports, 24v 2A groove, Neoprene Impeller
- 50270-0211 Flanged ports, 12v 1B groove, Neoprene Impeller
- 50270-0311 Flanged ports, 24v 1B groove, Neoprene Impeller
- 50270-0003 Flanged ports, 12v 2A groove, Nitrile Impeller
- 50270-0103 Flanged ports, 24v 2A groove, Nitrile Impeller
- 50270-0203 Flanged ports, 12v 1B groove, Nitrile Impeller
- 50270-0303 Flanged ports, 24v 1B groove, Nitrile Impeller



a xylem brand

**BRONZE FLEXIBLE IMPELLER ELECTRO MAGNETIC CLUTCH**

**50270 SERIES**



**PUMP with 2" FLANGED PORTS**

- \* Constructed from marine quality bronze and stainless steel
- \* Self-prime from dry up to 3m
- \* Easy to service and maintain
- \* Will tolerate abrasive wear
- \* Handles hard and soft solids without clogging
- \* Can pump in either direction
- \* Will not airlock

Xylem Water Solutions UK Ltd  
Bingley Road  
Hoddesdon  
Hertfordshire • EN11 0BU UK

Tel: +44 (0)1462 480380  
Fax: +44 (0)1462 482422  
mail@cleghorn.co.uk  
www.jabscoshop.com

