



LUMI-LINK™

**SUPRA Series - Dual Color**

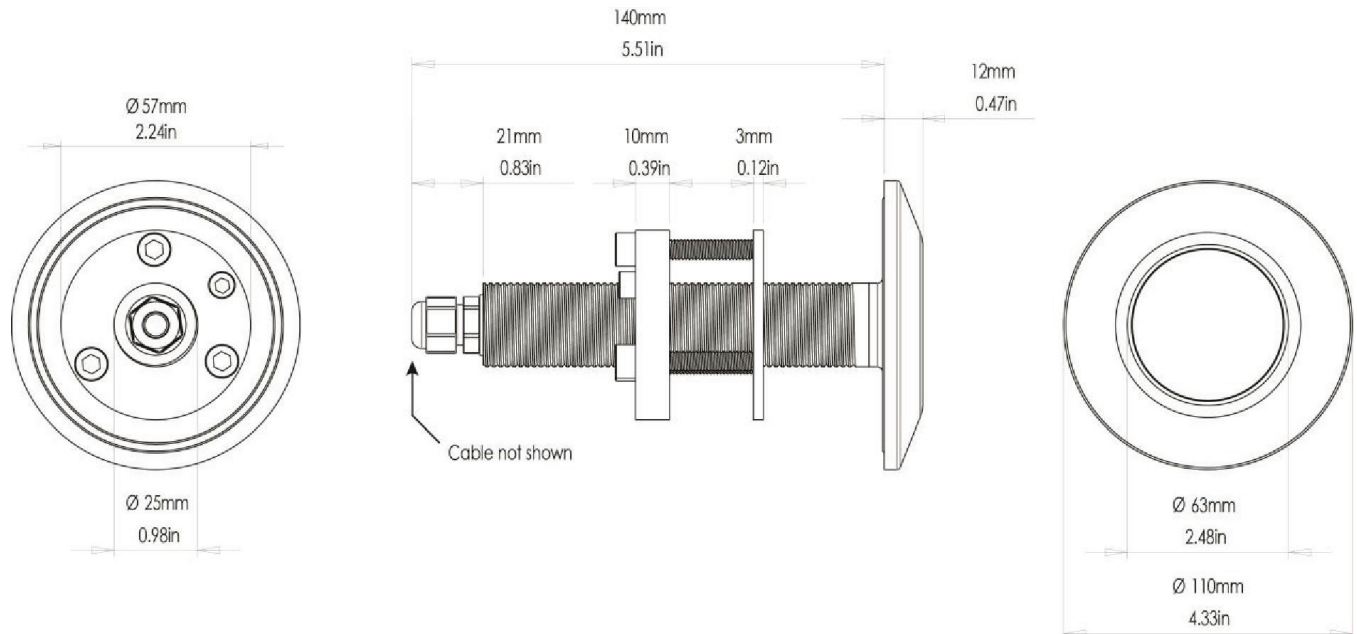
# THX803

THRU-HULL UNDERWATER LED LIGHT



PART DESCRIPTION	SUPRA THX803 THRU-HULL UNDERWATER LED LIGHT
Part Number	THX 803 Supra Light - 60-0345
Available Colors	Dual Color (Blue & White)
Lumens	27,000
Fixture Lumens (White)	12,000
Number & Type Of LED	White - 36 x 10W, Blue - 48 x 3W
LED Power - HICOB Array	Yes
Typical LED Life	50,000+ Hours
Warranty	3 Years
User Control Options	SUPRA i-Connect Hub & Switch Control via certified MFD*

\* Requires SUPRA Lumi-Link Bridge Module



# SUPRA Series - Dual Color THX803

THRU-HULL UNDERWATER LED LIGHT



TECHNICAL	
Driver	Multi-Channel External Driver
Supply Voltage Range	10.5–31 V DC**
Max Current Draw 12/24V	8.8 A / 4.4 A
Surge Protection	Yes (3,000V)
ATRB (Automatic Thermal Roll-Back)	Yes
Low Voltage Protection	Automatic Voltage Roll-Back Control And Low Voltage Cut Out
Auto Power Control	Yes - Intelligent Multi-Channel Power Management
“Soft Start” Electronics Protection	Yes
Reverse Polarity Protection	Yes
In Rush Current Protection	Yes
Power Line Noise Suppression	Yes
Connections	Plug and Play

\*\*AC Options Available – See Supra AC Datasheet or use AC/DC PSU – Contact Lumishore for more information

PHYSICAL	
Beam Angle	110°
Water Ingress Protection Rating	IP68
Light Face Diameter	110mm (4.33")
Profile (Height) Of Housing	12mm (0.47")
Shaft Length	140mm (5.51")
Housing Type	Marine Bronze Body with Borosilicate Glass Lens
Light Cable Length	3m (9.8') Standard
Hole Cut-Out for Shaft (Hole Cutter Size)	Metric: 27mm Imperial: 1-1/16 " (1.0625")
Weight	0.96 Kg (2.1 Lbs)
Bonding	Required (Bonding Connection Provided on Light)
Isolation Option	Hull Isolation Sleeves Available For Metal Hull Installation

LIGHTING SYSTEM FUNCTIONALITY (I-CONNECT HUB & SWITCH)	
Mode	Toggle switch to move to the next mode
White	Yes
Blue	Yes
Strobe	Yes
Synchronized Strobe	Yes
Fade Mode	Yes
Synchronized Fade Mode	Yes
Light Control via MFD Screen	Yes*

\*These features require a SUPRA Lumi-Link Bridge Module and compatible MFD. This allows easy integration and control direct from MFDs, and other third party control systems.

ACCESSORIES	PART NUMBER
THX/TIX-SUPRA i-Connect Installation Kit (i-Connect Switch & i-Connect Hub)	60-0329
Additional i-Connect Hub	60-0330
3m Extension cable (Driver to Hub)	24-0247
SUPRA Lumi-Link Bridge Module for Garmin MFDs with OneHelm™ Integration	60-0353

## LUMI LINK™ PLUG-&-PLAY MFD INTEGRATION

The world's first marine lighting API (Application Programming Interface) allowing plug-&-play integration of Lumishore SUPRA & EOS underwater lighting systems with a single cable to your certified Multi-Function Display (MFD) creating a centralized control platform for the entire vessel reducing helm clutter and simplifying vessel operation. Now available for Garmin OneHelm™ MFDs.