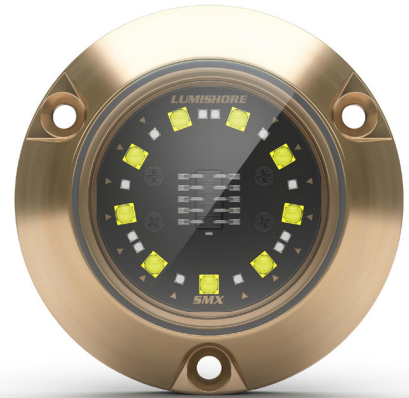




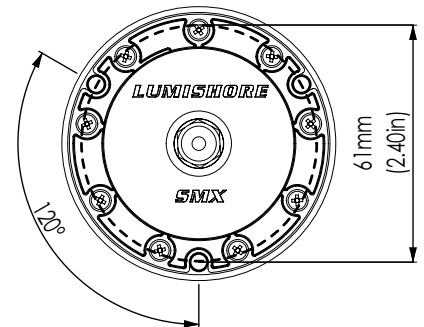
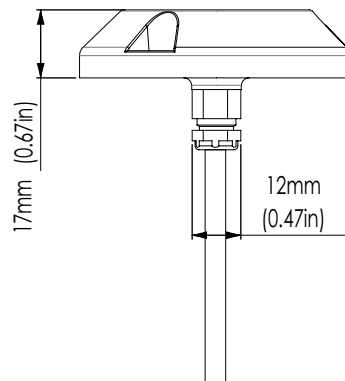
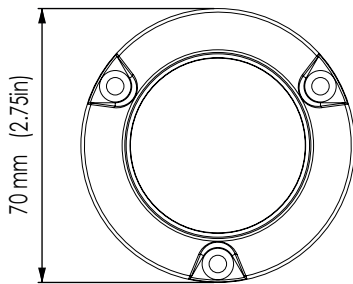
SUPRA Series - Dual Color

SMX23

SURFACE MOUNT UNDERWATER LED LIGHT



PART DESCRIPTION	SUPRA SMX23 SURFACE MOUNT UNDERWATER LED LIGHT
Part Number	60-0313
Available Colors	Dual Color (Blue & White)
Lumens	5,625
Fixture Lumens (White)	2,500
Number & Type Of LED	White-9×5W / Blue-12×3W
LED Power - HICOB Array	Yes
Typical LED Life	50,000+ Hours
Warranty	2 Years
User Control Options	On/Off Switch (Third party supplied)
Electrical Installation	Simple 2 Wire Connection
Compact Size	Diameter: 70mm (2.75") Height: 17mm (0.67")



SUPRA Series - Dual Color

SMX23

SURFACE MOUNT UNDERWATER LED LIGHT



TECHNICAL

Driver	Multi-Channel Internal Driver
Supply Voltage Range (12 V ONLY)	10.5–14.5 V DC
Max Current Draw 12V	2.5 A
Surge Protection	Yes (3,000V)
ATRB (Automatic Thermal Roll-Back)	Yes
Low Voltage Protection	Automatic Voltage Roll-Back Control And Low Voltage Cut Out
Auto Power Control	Yes - Intelligent Multi-Channel Power Management
“Soft Start” Electronics Protection	Yes
Reverse Polarity Protection	Yes
In Rush Current Protection	Yes
Power Line Noise Suppression	Yes
Bonding	Not Required
Electrical Installation	Simple 2 Wire Connection
Max Vessel Length	7.5m (25')

PHYSICAL

Beam Angle	90°
Water Ingress Protection Rating	IP68
Light Face Diameter	70mm (2.75")
Profile (Height) Of Housing	17mm (0.67")
Housing Type	Marine Bronze Body with Borosilicate Glass Lens
Light Cable Length	2m (6'6") Standard (Can be extended *)
Hole Cut-Out for Cable (Drill bit size)	Metric: 13.5mm Imperial: 17/32" (0.5313")
Weight	350g (0.77 Lbs)
Mechanical Installation	3 x Marine Bronze Screws (Provided)

* Extension distance depends on cable type, refer to user manual for further information

LIGHTING SYSTEM FUNCTIONALITY (ON/OFF SWITCH)

Mode	Switch Off/On to move to the next mode
Start Up (Lights come on in White Mode first)	Yes
Selectable Modes (Toggle switch to advance)	Yes
Preset Colors (White and Blue)	Yes
Strobe (White and blue in a strobe pattern)	Yes
Fade (White and Blue in a fade pattern)	Yes