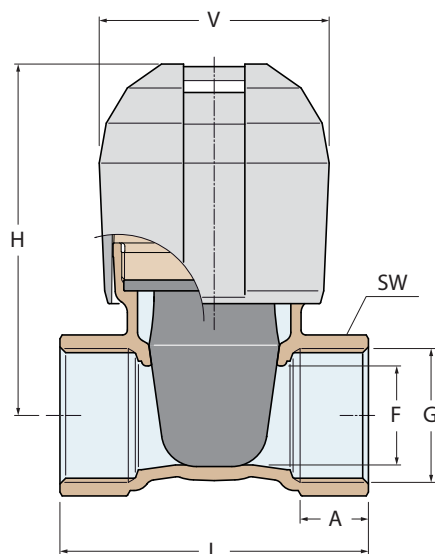


### Valvola "antiblocco Alex" filettata passaggio totale

Threaded "non stick" valve "Alex"  
full flow

**Omologato RINA**  
RINA validated



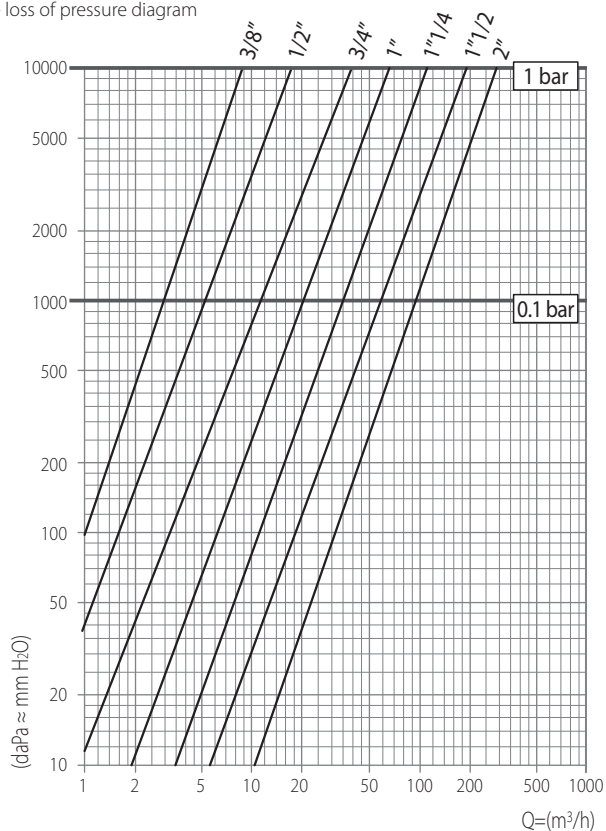
FILETTATURE / THREAD :  
G = EN 10226/1 (BS 21)



Bronzo  
Bronze

2260	■	■	■	■	■	■	■
Weight (gr)	490	480	650	840	1250	1500	2500
SW	25	25	31	38	47	54	67
F	15	15	20	25	33	38	48
A	11.4	15	16.3	19.1	21.4	21.4	25.7
V	53	53	58	63	72	78	90
L	67	67	73	84	97	103	124
H	76	76	85	94	110	118	139
<b>G</b>	<b>3/8"</b>	<b>1/2"</b>	<b>3/4"</b>	<b>1"</b>	<b>1"1/4"</b>	<b>1"1/2"</b>	<b>2"</b>

Diagramma portate - perdite di carico  
Flow rate - loss of pressure diagram



**Corpo in bronzo**  
Bronze body

**Guarnizioni in neoprene**  
Neoprene gaskets

**Volantino in ABS**  
ABS handwheel

G	0.1 bar	1 bar
3/8"	8800	2940
1/2"	17000	5100
3/4"	39000	11600
1"	65000	20100
1"1/4"	110000	35500
1"1/2"	189000	59400
2"	280000	92600

**Portate di acqua - lt/h**  
Flow-rate capacity - lt/h