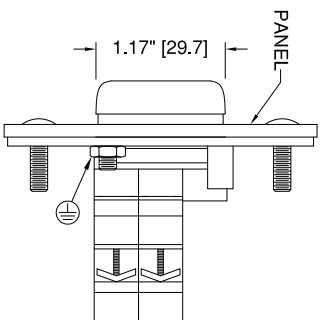
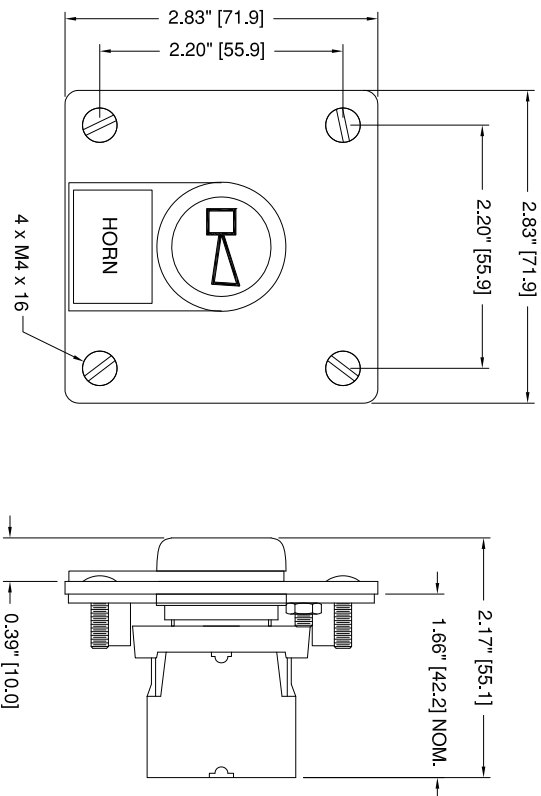


REV.	BY	DATE	DESCRIPTION	APP'D.

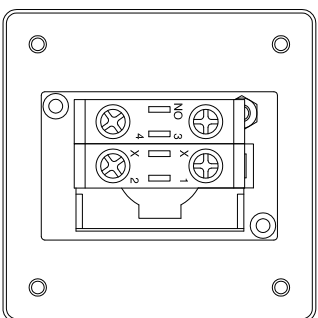


FRONT VIEW
TYPICAL PANEL MOUNTING



TOP VIEW

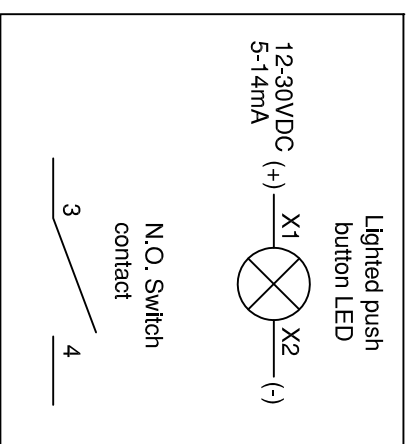
SIDE VIEW



BOTTOM VIEW

Type: momentary N.O. poles circuit: SPST,
10 A rated contacts. Maximum: 500 Volts @
2 Amps. Material: plastic body, plastic ring,
plated copper contacts. CSA certified, UL listed.
IEC/EN 60947 conformed, VDE 0660 conformed.
Ingress of Protection: IP 67 and 69K (IEC 60 529)
NEMA / UL / CSA: 12, 13, 3 R, 4X.

Lighted push button LED: 12-30VDC, 5-14mA



CONFIDENTIAL

INFORMATION CONTAINED HEREIN IS CONFIDENTIAL. IT IS THE PROPERTY OF KAHLBERG INDUSTRIES INC. IT IS TO BE USED SOLELY FOR THE PURPOSE PROVIDED, AND IT IS NOT TO BE DISCLOSED TO OTHERS WITHOUT THE PRIOR WRITTEN CONSENT OF KAHLBERG INDUSTRIES INCORPORATED.



OUTLINE DIMENSIONS
M-313 PUSH BUTTON

CAGE: 75214
PARTS LIST DRAWING 3-6756

Copyright Kahlberg Ind. Inc. 2010

DR.	DATE	CKD.	SCALE	DRWG. NO.	REV.
ZJN	02/28/13	EMK	N.T.S.	3-6755	