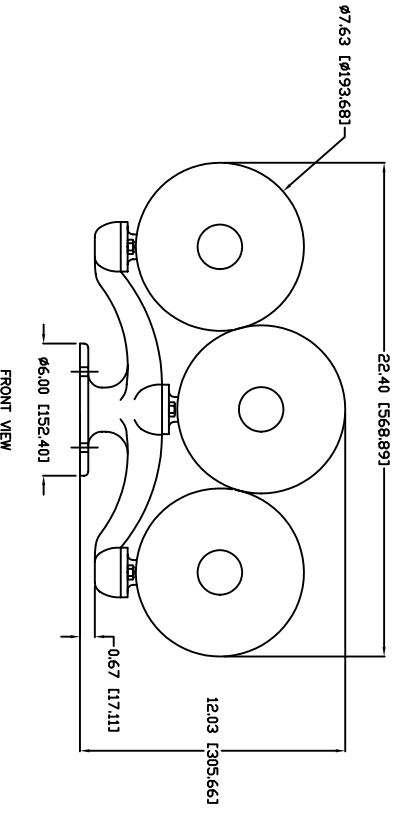
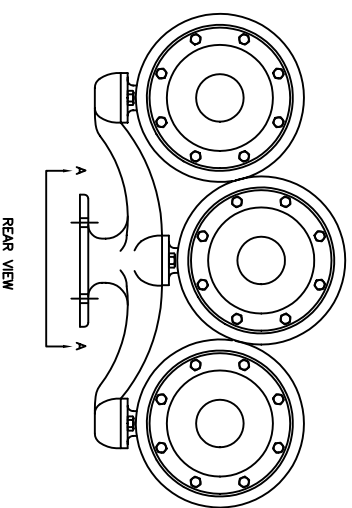
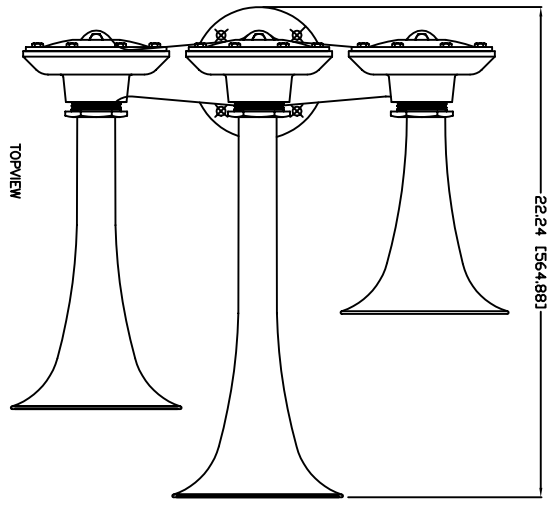
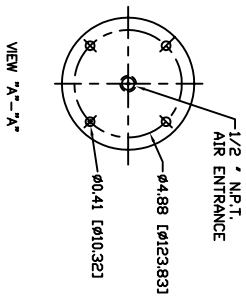


Conforming to International Maritime Regulations
For Vessels Less Than 75 meters in Length.



TECHNICAL DATA
 Frequency: 349, 265, & 212 Hz
 Sound Pressure Level (dB(A) at 1 meter): 140dB
 Sound Pressure Level (1/3 octave at 1 meter): 131dB
 Air Consumption: appx. 60 C.F.M. @ 150 P.S.I.
 Air Pressure Req: 100 To 250 P.S.I.
 Electric Power: Any Standard A.C. or D.C. voltage
 Material: Spun Brass & Cast Bronze
 Net Weight: 54 Lbs.
 Shipping Weight: 96 Lbs.

Price: \$
 (Valid for 60

.A.)



KAHLENBERG BP
 WERS, WI. U.S.A.

**OUTLINE DIMENSIONS
 MODEL T-2 AIRHORN**

DATE	DRWG. NO.	REV.
04/12/01	3-6104	A EMK