

### Model KB-30 Electronic Horn/Hailer System

The Kahlenberg KB-30 is an Electronic Horn/Hailing system for marine use that produces a horn signal in excess of 130 dB (1/3 Octave Band) as required for vessels up to 75 meters in length, as well as voice amplification. The KB-30 System consists of two major components being the horn/driver unit, and control/microphone unit.



#### Technical Details

**Frequency:** 695 Hz

**S.P.L. Output:** 131 dB (1/3 Octave Band)

**Voltage:** 24 Volt D.C.

**Power Consumption:** 100 Watts

#### Materials:

**(Horn):** Fiberglass Laminated Polyester

**(Driver):** Aluminum Alloy

**(Mounting Bracket):** Polished Stainless Steel

**Finish:** Matterhorn White Polyurethane







**Net Weight: (Horn):** 15 lbs. (6.8 kg)

**Ingress Protection: (Horn)** IP67

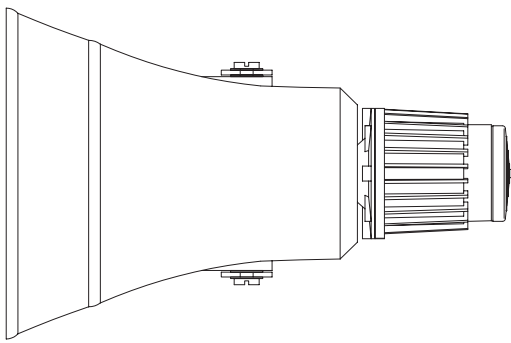
**Max./Min. Amb. Temp.:** 200 deg. C/-50 deg. C.

**Cable Size:** 8-13mm

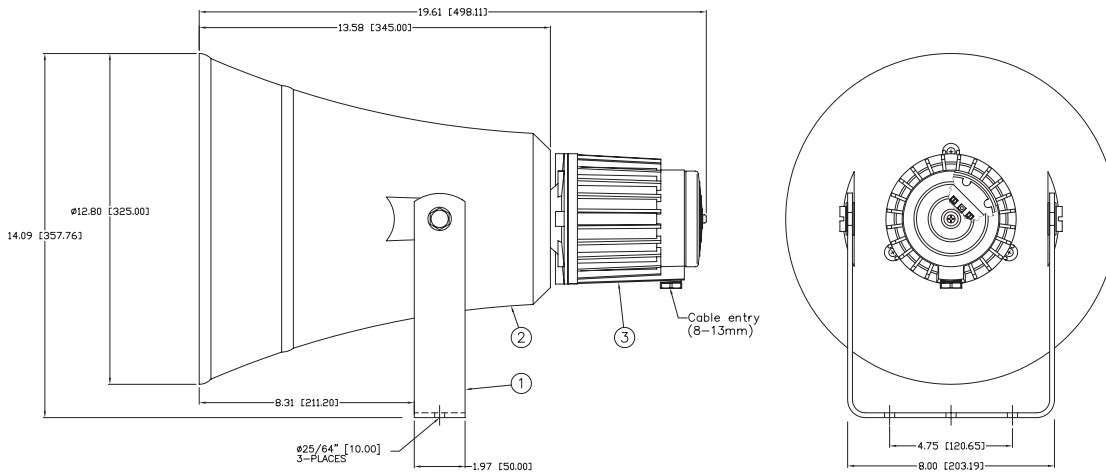
#### Features and benefits of the KB-30 include:

-  **100 Watts of Horn and Hailing Power**
-  **Automatic Restricted Visibility and Maneuvring Codes including SOLAS General Alarm Code**
-  **Type Approved for Vessels up to 75 Meters in Length**
-  **Attractive Console Mount M-511D Control with remote console mount microphone jack included**
-  **Full Time Heater included to eliminate moisture and provide additional protection from freezing in horn driver unit**
-  **Auxiliary Audio Inputs Included**

| REV. | BY  | DATE     | DESCRIPTION                          | APP'D. |
|------|-----|----------|--------------------------------------|--------|
| A    | ZJN | 08/10/07 | ADDED CABLE SIZE TO CABLE ENTRY NOTE | EMK    |
| B    | ZJN | 09/10/07 | ADDED TEMPERATURE RANGE NOTE         | EMK    |



| ITEM | PART NO.  | DESCRIPTION      | QUAN. |
|------|-----------|------------------|-------|
| 1    | P564-03   | MOUNTING BRACKET | 1     |
| 2    | PT001-007 | PROJECTOR        | 1     |
| 3    | PT120-002 | DRIVER UNIT      | 1     |



**TECHNICAL DATA**  
 Frequency: 695 Hz  
 Sound Pressure Level (dB(A) at 1 meter): 130dB  
 Sound Pressure Level (1/3 octave at 1 meter): 131dB  
 Electric Power: 24 V.D.C.  
 Power Consumption: 100 Watts  
 Protection of Ingress: IP67  
 Temperature Range: -30°F (-34°C) to 120°F (49°C)  
 Material (Projector): Fiberglass laminated polyester  
 (Driver): Aluminum alloy  
 (Mounting Bracket): Polished 304 stainless steel  
 Finish: Matterhorn White polyurethane  
 Net Weight: 15 Lbs.  
 Shipping Weight: 23 Lbs.

P  
S.A.)

**Kahlenberg**

K S. CO. TWO RIVERS, WI. U.S.A.

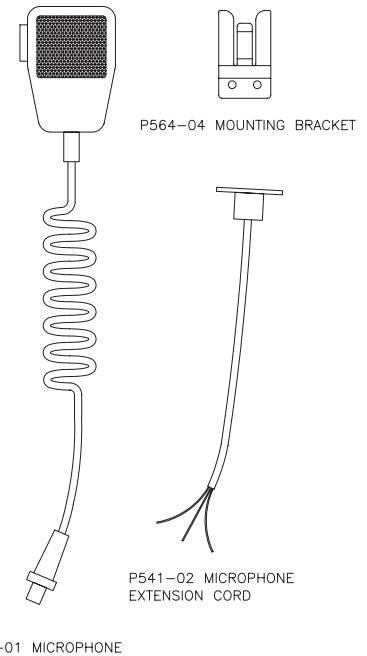
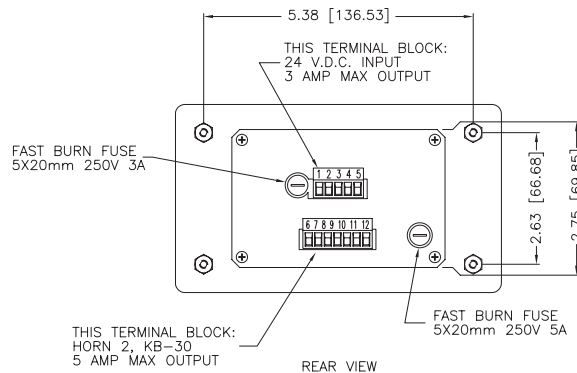
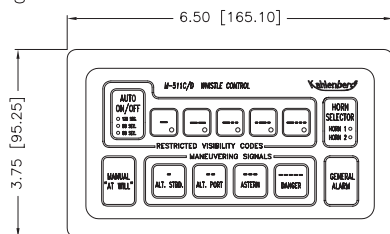
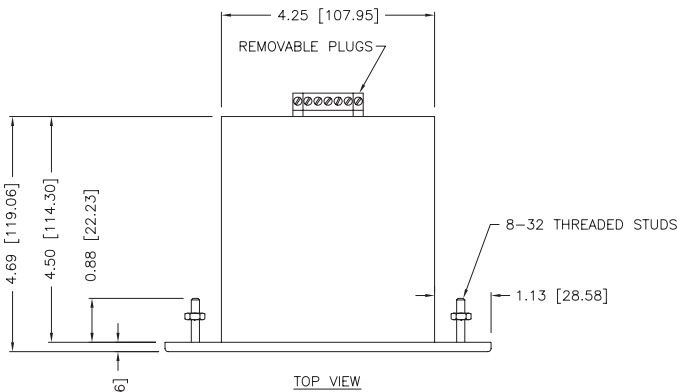
**OUTLINE DIMENSIONS  
 MODEL KB-30  
 ELECTRIC HORN**

| DATE     | DRAWN | CHECKED | DRWG. NO. | REV. |
|----------|-------|---------|-----------|------|
| 07/31/07 | ZJN   | EMK     | 3-6445    | B    |

Conforming to International Maritime Regulations  
 For Vessels Less Than 75 Meters in Length

3-6435

| REV. | BY | DATE     | DESCRIPTION                           | APP'D. |
|------|----|----------|---------------------------------------|--------|
| A    | ZN | 09/11/07 | ADDED MICROPHONE, EXT. CORD & BRACKET | EMK    |



**Kahlenberg**

**OUTLINE DIMENSIONS  
 M-511D WHISTLE CONTROL  
 (D.C. OPERATION)**

| DR. | DATE     | CKD. | SCALE  | DRWG. NO. | REV. |
|-----|----------|------|--------|-----------|------|
| ZJN | 07/03/07 | EMK  | N.T.S. | 3-6435    | A    |