

8

7

6

5

4

3

2

1

F

E

D

C

B

A

F

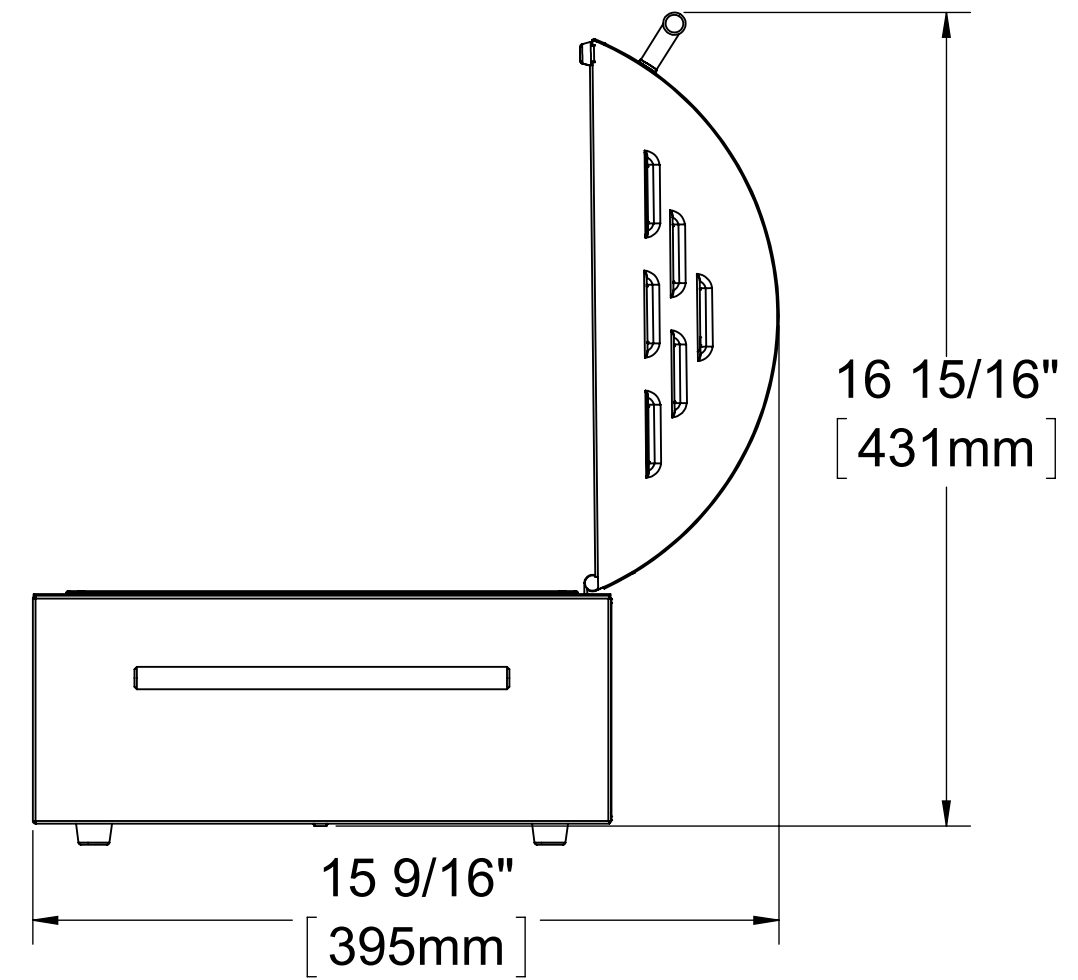
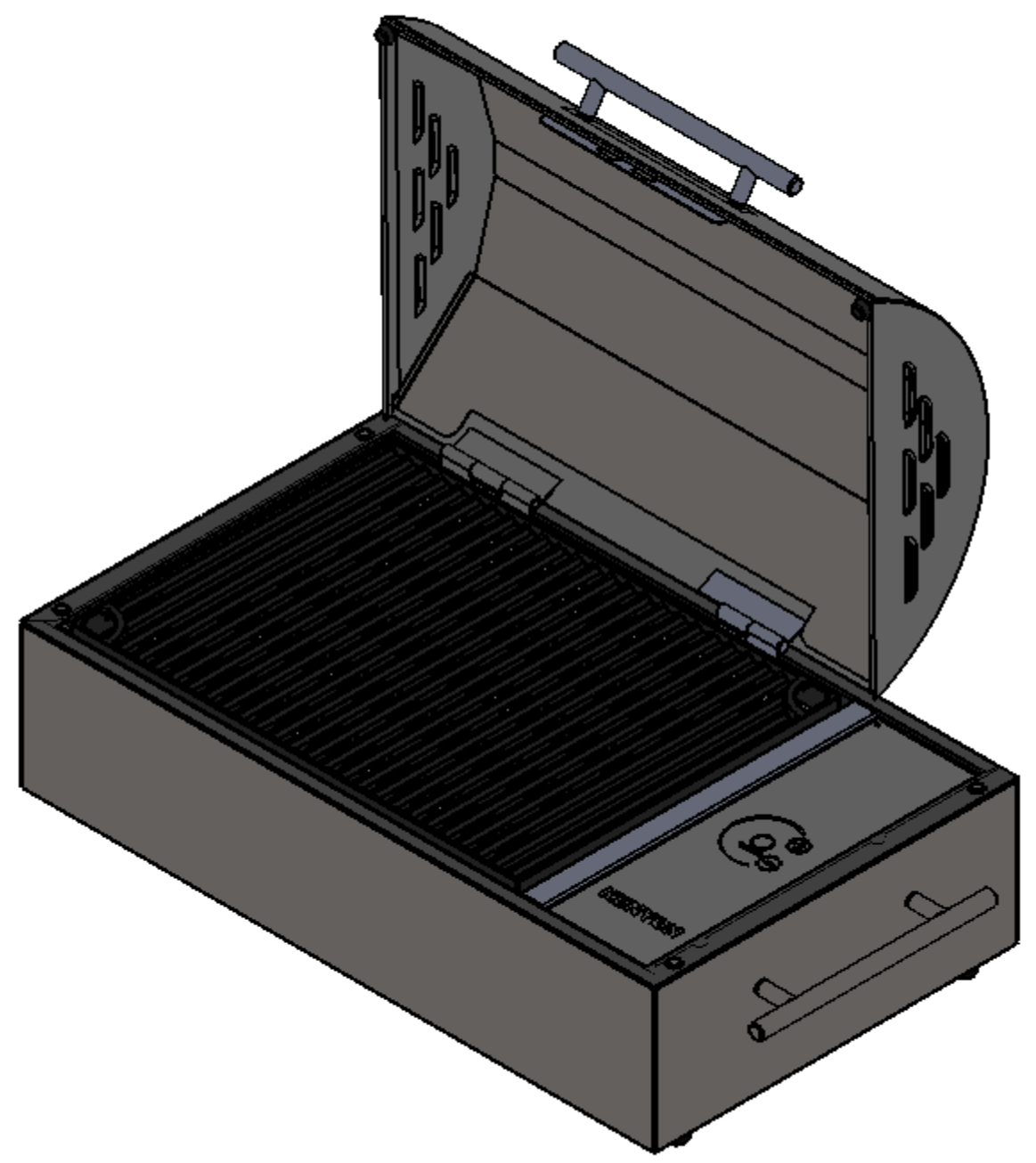
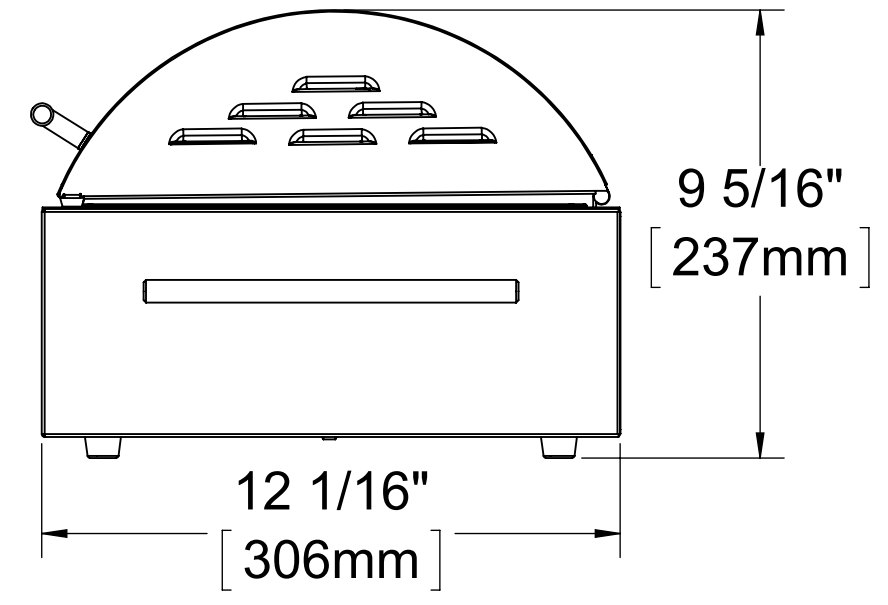
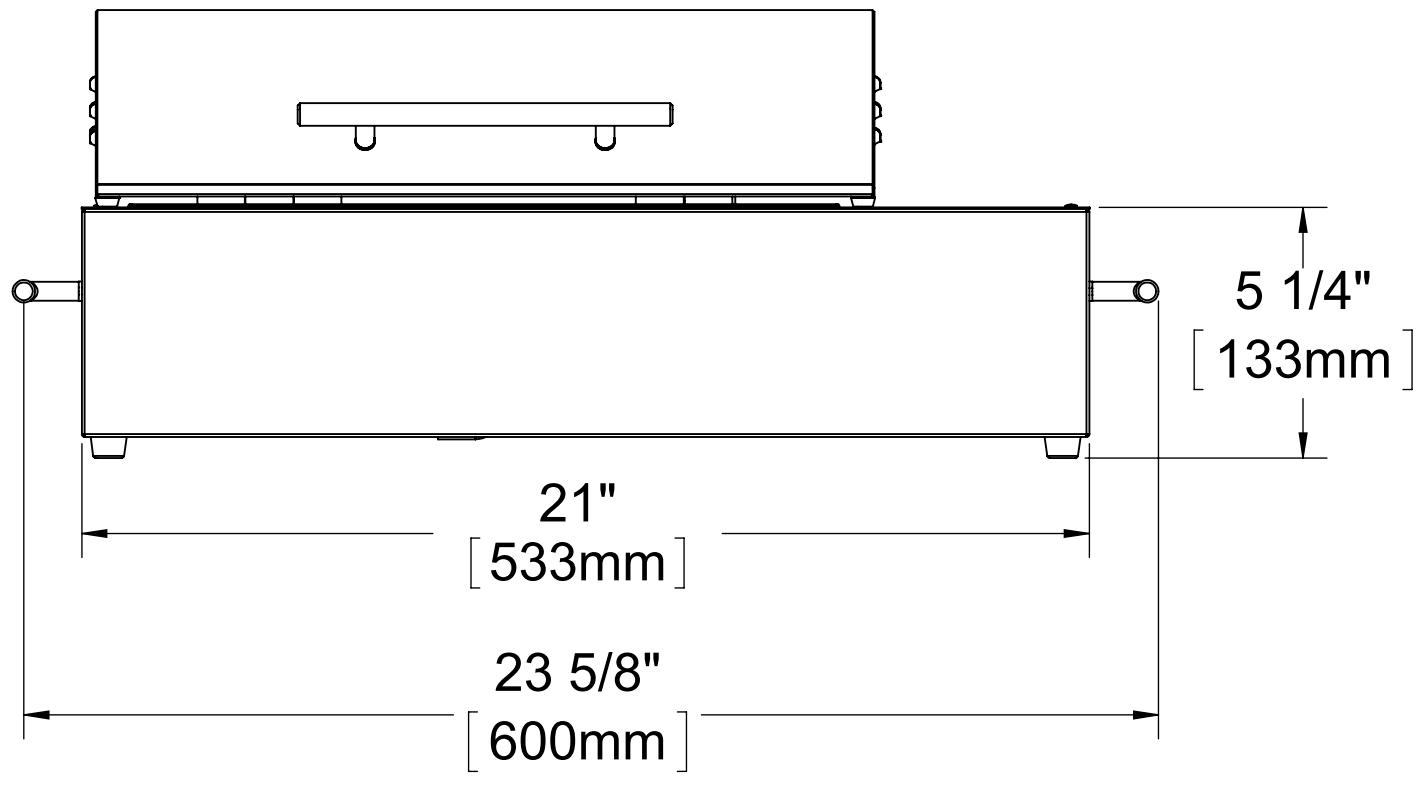
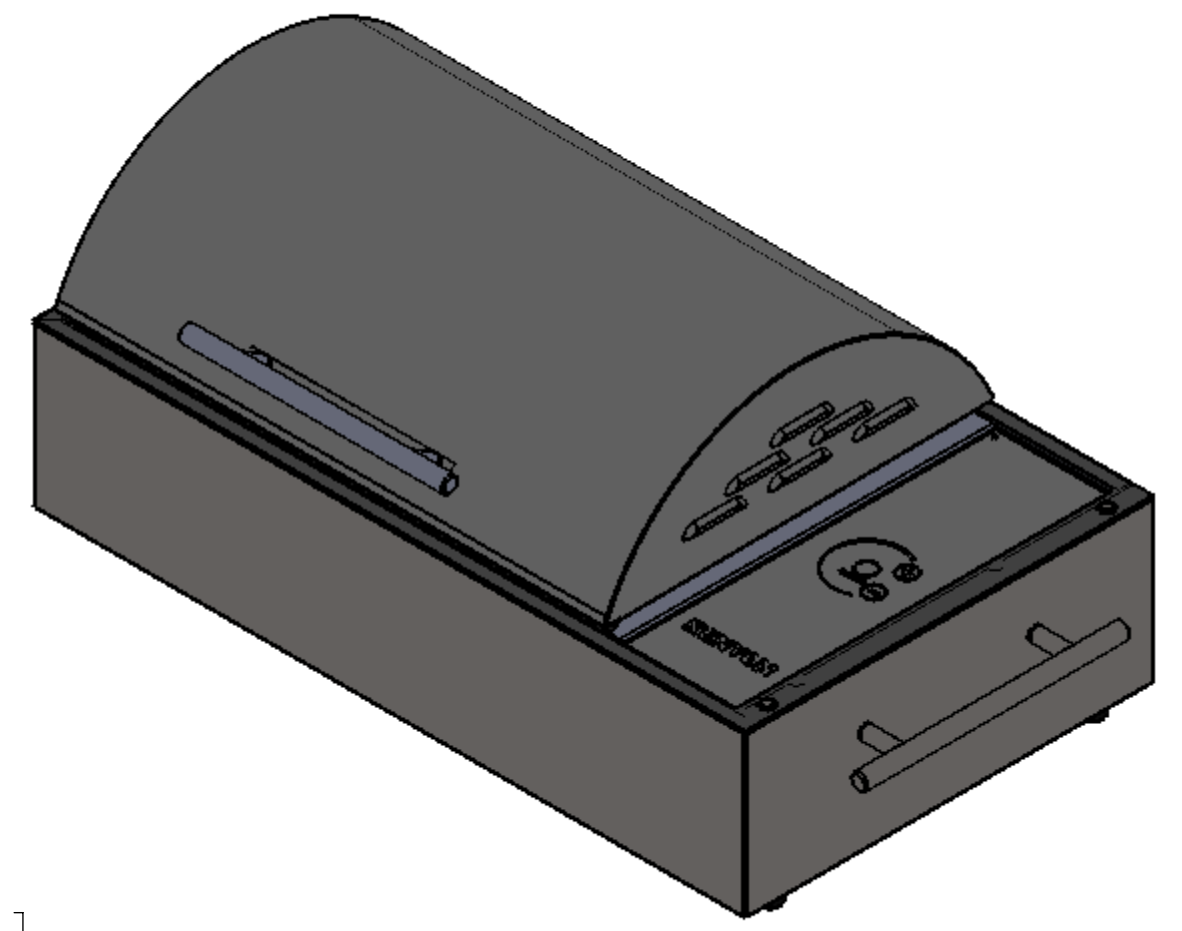
E

D

C

B

A



PROPRIETARY AND CONFIDENTIAL
 THE INFORMATION CONTAINED IN THIS DRAWING IS THE SOLE PROPERTY OF KENYON INTERNATIONAL. ANY REPRODUCTION IN PART OR AS A WHOLE WITHOUT THE WRITTEN PERMISSION OF KENYON INTERNATIONAL IS PROHIBITED.

		UNLESS OTHERWISE SPECIFIED:		NAME	DATE	KENYON INTERNATIONAL 8 HERITAGE PARK - PO BOX 925 CLINTON, CT 06413	
		DIMENSIONS ARE IN INCHES		DRAWN	GSP	4/26/18	TITLE: 120V ELECTRIC GRILL FLORIDIAN LID PORTABLE
		TOLERANCES:		CHECKED			
		ANGULAR: MACH ± 0.50°		ENG APPR.			
		BEND ± 1.00°		MFG APPR.			
		TWO PLACE DECIMAL ± .010"		Q.A.			SIZE DWG. NO.
		THREE PLACE DECIMAL ± .005"		COMMENTS:			C B70082
		INTERPRET GEOMETRIC TOLERANCING PER ANS/ASME Y14.5M-2009					REV
		MATERIAL					SCALE: 1:1 WEIGHT: SHEET 1 OF 1
		FINISH					
NEXT ASSY	USED ON	APPLICATION					
		DO NOT SCALE DRAWING					

8

7

6

5

4

3

2

1