



Read me
FIRST

www.CookWithKenyon.com

KENYON®

Make any day a weekend

ALL SEASONS® ELECTRIC GRILL
OWNERS MANUAL

Part #143355E
Revised: 3/18/2019

Table of Contents

Section	Page
Important Safeguards	3
How to Use Grill	
Quick Start Tips	4
Stuffed French Toast	7
Product Specifications	8
Installation Instructions	
Package Contents	9
Electrical Requirements	10
Countertop Installation	10
Drain Connection	13
Outlet Location	13
Final Preparations Prior to Use	13
Operation of Grill	
Touch Control	15
Power Cord	18
Grill Parts	19
Lid Removal	20
Warranty Information	21

Kenyon International, Inc.
8 Heritage Park Road
P.O. Box 925
Clinton, CT 06413 USA
Phone: 860-664-4906
Fax: 860-664-4907
www.CookWithKenyon.com

IMPORTANT SAFEGUARDS

When using electrical appliances, basic safety precautions should always be followed including the following:

1. Read ALL instructions prior to using product.
2. Do not touch hot surfaces. Use handles or knobs.
3. To protect against electrical shock, do not immerse cord or plugs in water or other liquid.
4. Close supervision is necessary when any appliances are used near children.
5. Unplug from outlet when not in use and before cleaning. Allow to cool before putting on or taking off parts.
6. Do not operate appliance with a damaged power cord or plug. If the appliance malfunctions, discontinue use and contact the nearest authorized appliance dealer or the factory for examination, repair or adjustment.
7. The use of accessory attachments not supplied by the manufacturer of the appliance may cause injuries.
8. When used as a portable grill, store indoors when not in use. When used as a built-in grill, suitable shelter must be provided to prevent direct exposure to rain. Covers available.
9. Do not let cord hang over edge of table or counter, or touch hot surfaces.
10. Do not place on or near a hot gas or electric burner, or in a heated oven.
11. Extreme caution must be used when moving an appliance containing hot oil or other hot liquids.
12. Always attach plug to appliance first, then plug cord into the wall outlet. To disconnect, turn any control to "off", then remove plug from wall outlet.
13. Do not use appliance for other than intended use.
14. Always place a minimum of one (1) cup of water in disposable drip tray prior to grilling.
15. Never leave children alone - children should not be left unattended around the grill at any time.
16. Allow the grill to cool before taking off cooking grates, disposable drip tray or lids.
17. Fuel, such as charcoal briquettes, are not to be used with this appliance.
18. Ensure grill is installed per instructions and properly grounded by a qualified electrician.
19. Do not replace or attempt to repair any part of the grill, unless otherwise noted in this manual. All other service is to be performed by a factory authorized technician.
20. Do not use water to extinguish a grease fire, use dry chemical fire extinguisher.
21. Do not store flammable materials near the grill.
22. Do not wear loose fitting or hanging apparel when using the grill.
23. The appliance is not to be used by persons (including children) with reduced physical, sensory or mental capabilities, or lack of experience and knowledge, unless they have been given supervision or instruction.

WARNING:

Charcoal or similar combustible fuels must be not be used with this appliance.

**PLEASE READ THESE INSTRUCTIONS IN THEIR ENTIRETY
BEFORE INSTALLATION AND USE. SAVE THESE INSTRUCTIONS**

HOW TO USE GRILL

QUICK START TIPS

Thank you for purchasing the World's Finest All Seasons® Electric Grill! There are a few simple steps you can take to ensure your good decision will lead to years of World-Class Grilling:

1. Remove grate(s) and drip tray(s), clean both.
2. Insert the drip tray(s) into the bottom of grill. Make sure the burner brackets are not resting on the drip tray(s).
3. Always fill the drip tray(s) with 16 oz. of liquid. Water will work, but why not try beer or wine to add flavor to your favorite food. Then re-install cooking grate.
4. Depending on model, either hardwire your Kenyon All Seasons® Grill or plug it directly into an outlet, do not use extension cords.
5. Preheat grill for 5 to 9 minutes on high (8 bars). Adjust heat setting for type of food, for example:
 - Vegetables 3-4 bars
 - Pork and fish 4-5 bars
 - Burgers 6-7 bars
 - Steak 7-8 bars
6. Close lid and cook. Enjoy the best grilled food you have ever tasted!
7. Once your grilling session is complete, grab a wet paper towel and wipe down your grate. Once cool, place in the dishwasher along with the dirty dishes so that it's ready for its next tour of duty!
8. While the grate is in the wash, don't forget to clean out the drip tray contents. You don't want your previous juices to flavor your next meal.

VISIT OUR WEBSITE
to purchase recipe books, cooking utensils, griddles, grill covers, and more!

www.CookWithKenyon.com | 860.664.4906 |

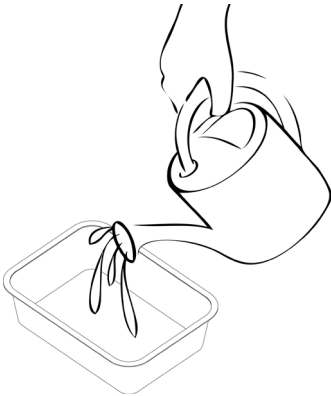
REMOVE & READ PRIOR TO GRILLING

THE ABOVE INSERT IS LOCATED UNDERNEATH YOUR GRILL LID. PLEASE READ INSERT AND REMOVE PRIOR TO GRILL USE.

1. Before using your grill, remove the cooking grate and drip tray from the grill. Wash the grill with warm soapy water using a non-abrasive cloth. **USE ONLY HIGH TEMP PLASTIC UTENSILS WHEN GRILLING.** Visit our web site to purchase a set of high quality stainless steel/ high temp plastic grill utensils, www.cookwithkenyon.com.

2. Make sure the drip tray is inserted all the way into the bottom of grill and electric element brackets are resting on the element support bracket.

3. Cover the bottom of the drip tray with a liquid. Water is fine. **PLEASE DO NOT USE A FLAMMABLE LIQUID!** Doing so would ruin your cookout. Using apple juice if you are grilling pork adds a nice flavor to the meat. A can of lime soda is wonderful if you are grilling fish. Try any kind of liquid that you enjoy drinking. ***Just remember always add liquid to the drip tray prior to grilling.***



4. To keep your grill smoke free, always clean the grilling surface after each use. Simply wash with warm soapy water using a non-abrasive cloth or place in your dishwasher. Empty the drip tray and wipe with a damp paper towel. The drip tray can be used multiple times before replacement is necessary.



5. Place your cooking grate or optional griddle (part #B96000) onto the element with drip tray installed. Use the griddle for foods such as eggs, pancakes or my favorite - stuffed french toast!

6. Preheat grill for 5 to 9 minutes on high (8 bars illuminated). Adjust heat setting for type of food.

- Steak 7-8 bars
- Hamburgers 6-7 bars
- Pork and fish 4-5 bars
- Vegetables 3-4 bars

7. Close the lid and cook. Enjoy the best grilled food you have ever tasted!

8. Clean up. This is easy to do as you will soon learn. After the grill has cooled to the touch, take a few pieces of paper towel and place on the grilling surface. Pour about one ounce of water on the towel and then using your high temperature nylon tongs, swab the paper toweling back and forth to loosen up the residue from your grilling. Throw the paper towel away and wipe the grate off with a dry paper towel.

9. Once the grate has cooled sufficiently, remove the grate and place in your dishwasher for a thorough cleaning.

10. With the grate removed, lift up the electric element and remove the drip tray. Empty the contents of the drip tray in an appropriate place, please don't pour it on your neighbors lawn. Wipe the tray out with a dry paper towel and reuse the tray. The tray can last for many uses.

11. Every 7-8 uses, you may want to wash the lid. They can be placed in your dishwasher and run on the pots & pans cycle. This will restore your grill to its original pristine look.

12. To clean the grill, first be sure the cooking surface has cooled enough to handle. Then remove the grate, lift up the electric element until it locks in the up position, then the drip tray.

13. Wipe the stainless steel surfaces with a damp cloth to remove any residue from previous grilling sessions.

14. Your Kenyon grill comes with a sample bottle of stainless steel cleaner. Use this cleaner once a month to keep your grill looking like new.



15. The touch control area is ceramic glass which is sealed from the effects of rain, snow and ice. To clean the glass, use a glass cleaner and soft towel. If stains appear, use a ceramic glass cleaner which can be found in your local grocery store.

Stuffed French Toast

16 slices Thin Sliced Bread “any kind but not the white stuff”
1 lb. Cream Cheese (softened)
½ cup Peach Preserves (or your favorite)
4 T. Butter

French Toast Batter:

5 Large eggs thoroughly beaten
1 cup Milk
1 T. Cinnamon, ground
½ t. Allspice, ground
½ t. Coriander, ground
2 oz. Water (Dark Rum, Optional)

In a large bowl, place the eggs and beat with a wire whisk. Add the milk and beat again until incorporated. In a separate smaller bowl pour water or Rum (if you prefer) and add dry ingredients, mix thoroughly. Once the dry ingredients have been mixed, add to the egg and milk mixture and beat again until mixed. By doing this you avoid the clumps that come with making batter.

Method of Preparation:

This will require the use of your griddle. Preheat your ‘All Seasons® Grill’ on medium high heat (6 bars) for approximately ten minutes.

Once the cream cheese has softened, mix with the peach preserves. Divide equally onto eight slices of bread and spread evenly. Place the remaining eight slices on top to make a sandwich. When your griddle has been preheated, add two tablespoons of butter and move around to coat the griddle. Reserve the rest of the butter for the remaining pieces of French Toast. Take the sandwich and dip into the mixture and flip it over to coat both sides of your bread.

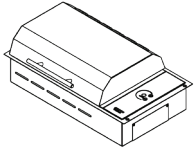
Quickly do this to three more “sandwiches”. You will now have four pieces of stuffed French Toast on your griddle.

Be careful not to burn. Flip the sandwiches over and continue cooking until both sides are browned nicely.

At this point you either serve with some nicely warmed maple syrup and butter, or you can keep warm in a low oven until you finish the remaining pieces of French Toast.

PRODUCT SPECIFICATION

This is a general manual for all touch control grills. Your model number may not be listed but the operation and functions are the same.



Frontier

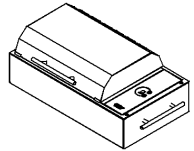
Model B70050 - UL Listed - 120V AC - 1300 WATTS - 11 AMPS

Model B70051 - 240V AC - 1300 WATTS - 6 AMPS

Overall dimensions: 21" x 12" x 4" (7 3/8" with lid)
533mm x 305mm x 102mm (187mm with lid)

Depth does not include drain fitting

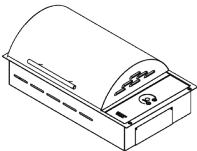
Cutout dimensions: 19 3/4" x 11 5/8" with 1/4" radius corners
501.6mm x 296mm with 6mm radius corners



Portable

Model B70090 - UL Listed- 120V AC - 1300 WATTS - 11 AMPS

Overall dimensions: 21" x 12" x 8 5/8"
533mm x 305mm x 219mm



Floridian

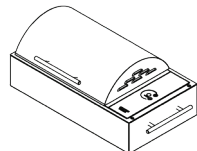
Model B70080 - UL Listed- 120V AC - 1300 WATTS - 11 AMPS

Model B70081 - 240V AC - 1300 WATTS - 6 AMPS

Overall dimensions: 21" x 12" x 4" (8 1/8" with lid)
533mm x 305mm x 102mm (206mm with lid)

Depth does not include drain fitting

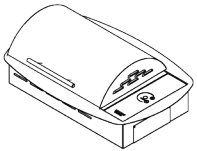
Cutout dimensions: 19 3/4" x 11 5/8" with 1/4" radius corners
501.6mm x 296mm with 6mm radius corners



Portable

Model B70082 - UL Listed- 120V AC - 1300 WATTS - 11 AMPS

Overall dimensions: 21" x 12" x 9 3/8"
533mm x 305mm x 238mm



Rio

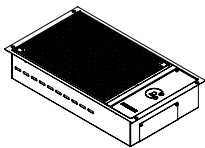
Model B70085 - UL Listed - 120V AC - 1300 WATTS - 11 AMPS

Model B70086 - 240V AC - 1300 WATTS - 6 AMPS

Overall dimensions: 23" x 15 5/8" x 4" (8 1/8" with lid)
584mm x 397mm x 102mm (206mm with lid)

Depth does not include drain fitting

Cutout dimensions: 19 3/4" x 11 5/8" with 1/4" radius corners
501.6mm x 296mm with 6mm radius corners



No Lid

Model B70060 - UL Listed - 120V AC - 1300 WATTS - 11 AMPS

Model B70061 - UL Listed - 240V AC - 1300 WATTS - 6 AMPS

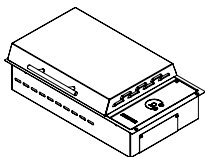
Model B70062 - UL Listed - 120V AC - 1300 WATTS - 11 AMPS

Model B70067 - 240V AC - 1300 WATTS - 6 AMPS

Overall dimensions: 21" x 12" x 4"
533mm x 305mm x 102mm

Depth does not include drain fitting

Cutout dimensions: 19 3/4" x 11 5/8" with 1/4" radius corners
501.6mm x 296mm with 6mm radius corners



Half Height Lid

Model B70056 - UL Listed - 120V AC - 1300 WATTS - 11 AMPS

Model B70057 - 240V AC - 1300 WATTS - 6 AMPS

Overall dimensions: 21" x 12" x 4" (6 1/4" with lid)
533mm x 305mm x 102mm (159mm with lid)

Depth does not include drain fitting

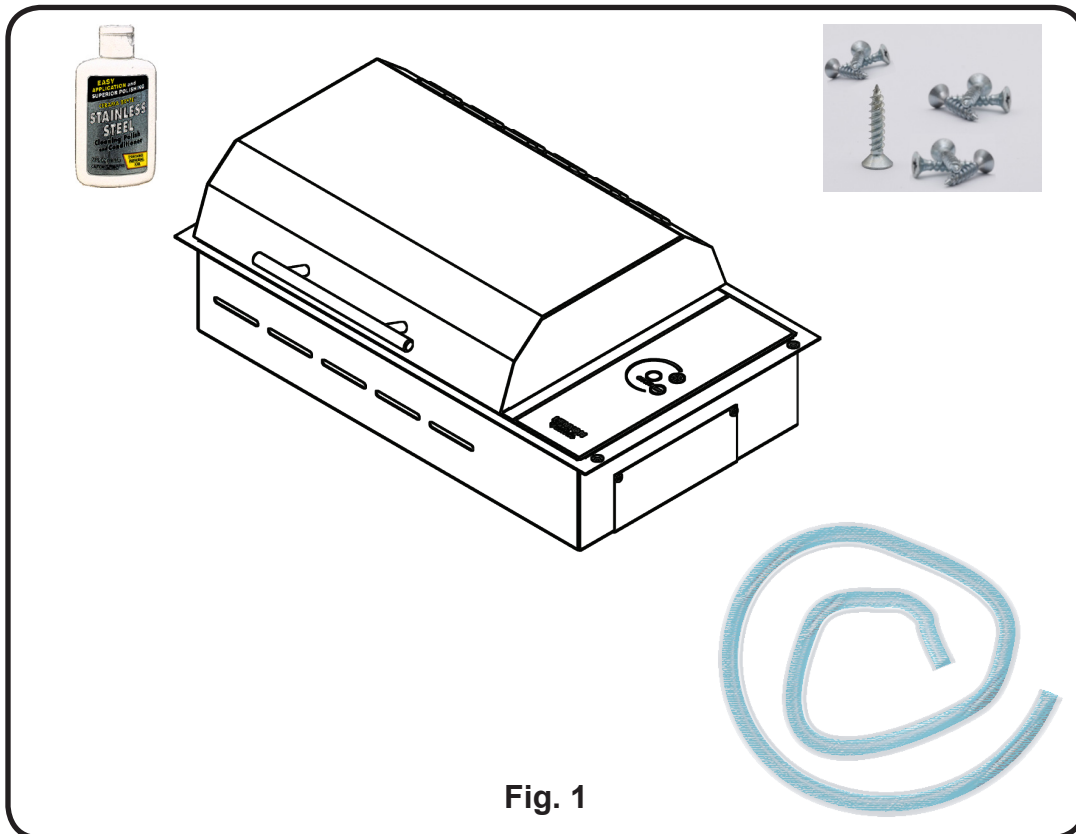
Cutout dimensions: 19 3/4" x 11 5/8" with 1/4" radius corners
501.6mm x 296mm with 6mm radius corners

INSTALLATION

Package Contents

Your All Seasons® Grill is assembled and ready for use. Before you use the grill write your unit's serial number here for future reference: _____. The serial number can be found on the short side of the grill at the end with the glass control panel. The serial number consists of six digits.

Included in the shipping container is the All Seasons® Grill, four (4) mounting screws, three (3) feet of drain hose, elbow fitting and drain hose for built-in only, manual and stainless steel cleaner. Portable grill drain fitting comes with a plug. If portable grill owners would like to install elbow fitting and hose instead of plug please contact KENYON. If any components are missing or damaged, call KENYON immediately.



Electrical Requirements

Check the Electrical Supply Requirements

This product must be installed in accordance with national, state and local electric codes. The following table provides the correct voltage, amperage and frequency that must be supplied to the grill.

The supply must be from an individual grounded circuit that is protected by a circuit breaker and rated per the specifications for the model as shown in the table below.

KENYON Part #	Max Load	Power Supply	Plug Type
B70050 B70056 B70060 B70062 B70080 B70082 B70085 B70090	1300 Watts	120V AC 11A 60Hz	3 prong grounded cord with GFCI
B70051 B70057 B70061 B70067 B70081 B70086	1300 Watts	240V AC 6A 60Hz	3 wire cord no plug

WARNING:

If the electrical supply does not meet the product specifications, consult with a licensed electrician before proceeding with installation!

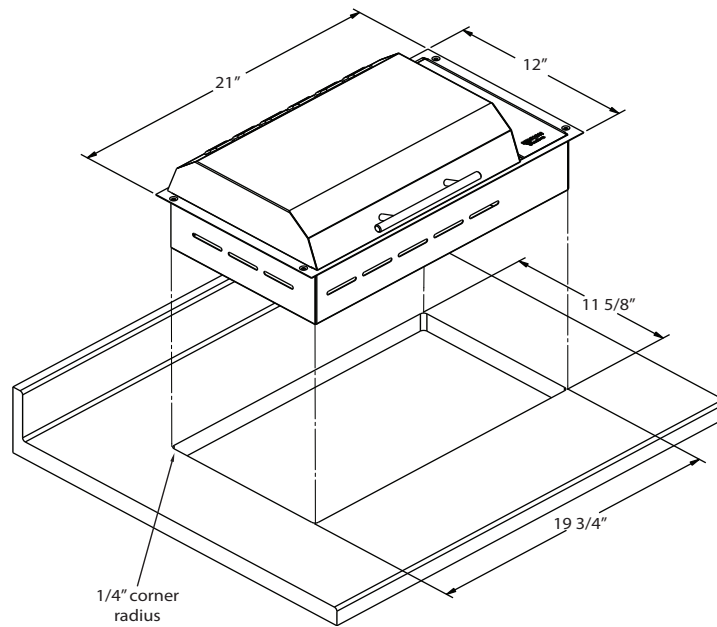
Do not remove the GFCI device from the supplied power cord under any circumstances.

Countertop Installation

Your All Seasons® Grill is supplied with a factory installed polished stainless steel flange that accepts four oval head wood screws for mounting. The trim flange of the grill is designed to hold the unit firmly in place in the countertop. If desired, you may seal the edge of the countertop beneath the trim flange. **Use a soft bedding compound that will prevent damage if later removal for service is necessary. We recommend a nonadhesive type of sealant, such as plumber's putty, maximum compressed thickness of 1/16".** Silicone may be used to seal the glass edge only, if desired.

WARNING:

Allow a 2 inch (2") minimum clearance between the bottom of the grill and combustible surface located below, ie: the upper edge of a drawer installed below the grill (Fig. 3, page 12). Failure to provide proper clearances and ventilation may result in a fire hazard.



Countertop Cutout DIMENSIONS

B70050 GRILL

Please read this section prior to making cutout for the grill.

It is important to plan ahead for installation of the grill, keeping the following dimensions in mind (please refer to Fig. 2 below).

- A** - 13 inches maximum depth of overhead cabinets
- B** - 36 inches is minimum height of counter top above floor
- C** - The minimum flat countertop surface that the grill will rest upon must be equal to or greater than the overall grill dimensions (refer to the page 8 for overall grill dimensions).
- D** - 30 inches minimum clearance between the top of the grill and the bottom of an unprotected wood or metal cabinet or 24 inch minimum clearance when the bottom of wood or metal cabinet is protected by not less than 1/4 inch thick flame retardant mill board covered with not less than No. 28 MSG sheet steel, 0.015 inch thick stainless steel, 0.024 inch thick aluminum or 0.020 inch thick copper.
- E** - 4 inches minimum from backsplash of countertop to edge of grill (refer to the page 8 for overall grill dimensions).
1-1/2 inches minimum from front of counter to grill.

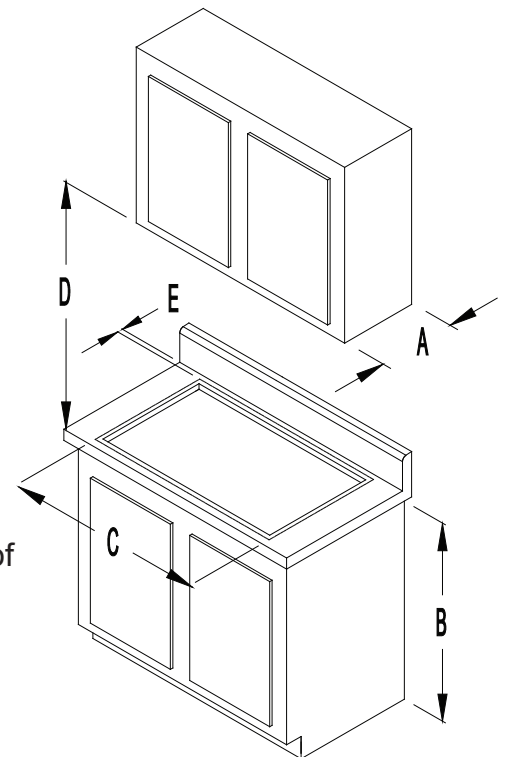


Fig. 2

FOR INSTALLATIONS IN CANADA: “Do Not Install Closer Than 1/2 Inch (12 mm) From Any Adjacent Surface”, and **NE PAS INSTALLER A’MDINS DE 12MM DETOUTE SURFACE ADJACENTE.**

WARNING:

To eliminate the risk of burns from reaching over heated grill, cabinet storage space located above the grill should be avoided. If cabinet storage is to be provided, the risk can be reduced by installing a range hood that projects horizontally a minimum of 5 inches beyond the bottom of the cabinets.

Before making the countertop cutout, check for clearance. Check to see that the grill will clear the front and side walls of the base cabinet. Also check for proper clearance to the back splash so that the lid can open fully.

Adequate ventilation of the space below the countertop must be provided to ensure proper operation of the grill. Heat transferred from the grill bottom pan during operation will overheat an improperly ventilated area.

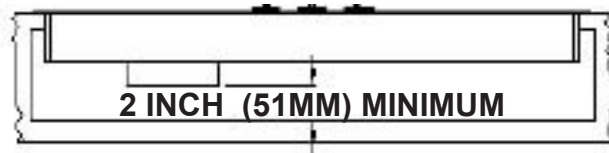


Fig. 3

When making countertop cutout, radius the corner to help prevent cracking of the countertop material. A 1/4 inch radius is typical, but follow the countertop manufacturer's instructions regarding the minimum radius and any reinforcements required to prevent damage to the countertop over time.

If your countertop is made of solid surface material you will need to check with the manufacturer for specific recommendations for cooktop & grill installation instructions. Most solid surface countertop manufacturers require additional corner supports to prevent damage to the countertop. Use the included screws to secure the grill to the countertop. Be careful not to over-tighten the screws. Use an acrylic caulk to seal the flange to the countertop.

If your countertop is made of stone you will need to use an acrylic latex to mount the grill in place. Put a large bead of caulk around the cutout opening and put the grill in place. Wipe away any excess caulk, use water to remove the excess caulk. Allow the caulk to dry for a minimum of 24 hours without any moisture being allowed to come in contact with the caulk. Do not use the screws that came with your grill. The caulk will hold the grill securely. Do not use a caulk which contains silicone as this will stain the stone.

Drain Connection

For your convenience, the grill is equipped with a 1/8" NPT brass pipe fitting and 90° brass elbow which you can attach the 1/4" ID flexible hose that came with your grill. The portable version of the grill comes with a brass pipe plug installed in the drain fitting. If you are using your grill as a portable unit, save the hose and 90° brass fitting for possible installation in the future.

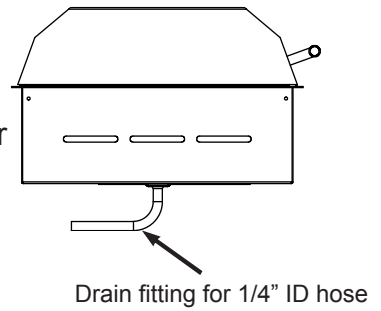
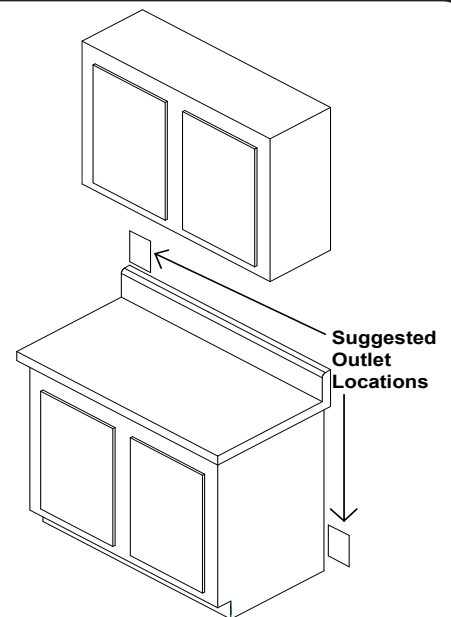


Fig. 4

Outlet Location

Be sure the electrical outlet intended for the grill is in an easily accessible location. This allows the user to easily plug and unplug the grill. This is necessary to ensure safe cleaning and storage of the grill.



Final Preparations Prior to Use

Remove the protective plastic film from the lid, trim flange and glass panel. Clean the grill before you use it for the first time. A thorough cleaning with a stainless steel or glass cleaner will remove any traces of plastic film adhesives and manufacturing oils.

Wash the nonstick coated grates in warm soapy water before using the grill.

OPERATION OF GRILL

DO NOT USE WATER ON GREASE FIRES

Smother fire or flame or use dry chemical or foam-type extinguisher.

USE ONLY DRY POT HOLDERS

Moist or damp pot holders on hot surfaces may result in burns from steam. Do not let pot holder touch the grate or element of the grill. Do not use a towel or other bulky cloth in place of a pot holder.

DO NOT COOK ON BROKEN GRILL GRATE OR GRIDDLE

If the grate should break, grease and oils may come into direct contact with the electric element and create a risk of electric shock or fire. Contact an authorized service center or KENYON Customer Care immediately at (860) 664-4906.

CLEAN GRILL WITH CAUTION

If a wet sponge or cloth is used to wipe spills on a hot cooking surface, be careful to avoid steam burns. Some cleaners produce noxious fumes if applied to a hot surface. Read the cleaner label for details prior to using.

DO NOT TOUCH HEATING ELEMENT OR GRATE

The heating element and grate will be hot for some time after cooking. These components should be allowed to cool and then be handled with care and caution while cleaning, as they may be hot enough to cause severe burns.

CLEAN GRILL AFTER EACH USE

This appliance is equipped with a removable, disposable drip pan. This pan **MUST** be removed and cleaned after each and EVERY use. Do not allow grease to accumulate between cooking. The grease pan and baffle tray **MUST** be used when cooking on the grill. Excessive grease may spill over into the interior of the grill, voiding your warranty and posing a fire hazard.

NEVER LEAVE GRILL UNATTENDED AT HIGH HEAT SETTINGS

High heat setting may cause heavy smoking and ignite grease.

DO NOT CLEAN UNIT WITH PRESSURIZED WATER

Never clean the grill with any form of pressurized water or other types of cleaners. Doing so will void the warranty and may pose a serious risk of electric shock. Always clean the grill with a cloth and a stainless steel or glass surface cleaner.

STORAGE

When used as a portable grill, store indoors when not in use. When used as a built-in grill, suitable shelter must be provided to prevent direct exposure to rain. Covers available.

TO PREVENT SMOKE

To prevent the contents of the grease pan from smoking, place 1 cup of water (or enough to cover the bottom of the pan) in the grease pan before cooking.

DO NOT USE POTS OR OTHER BAKEWARE ON THE GRILL

KEEP THESE INSTRUCTIONS WITH THE GRILL FOR FUTURE REFERENCE

Touch Control

POWER ON INDICATOR

This display indicates whether the grill is ON or OFF.

POWER LEVEL DISPLAY

Digital display indicates heat output of grill. The indicator lamps follow the sweep of the screened graphic. There are eight possible heat levels.

(+) POWER SENSOR

Touching this sensor will increase the heat output of the grill in increments of one.

(-) POWER SENSOR

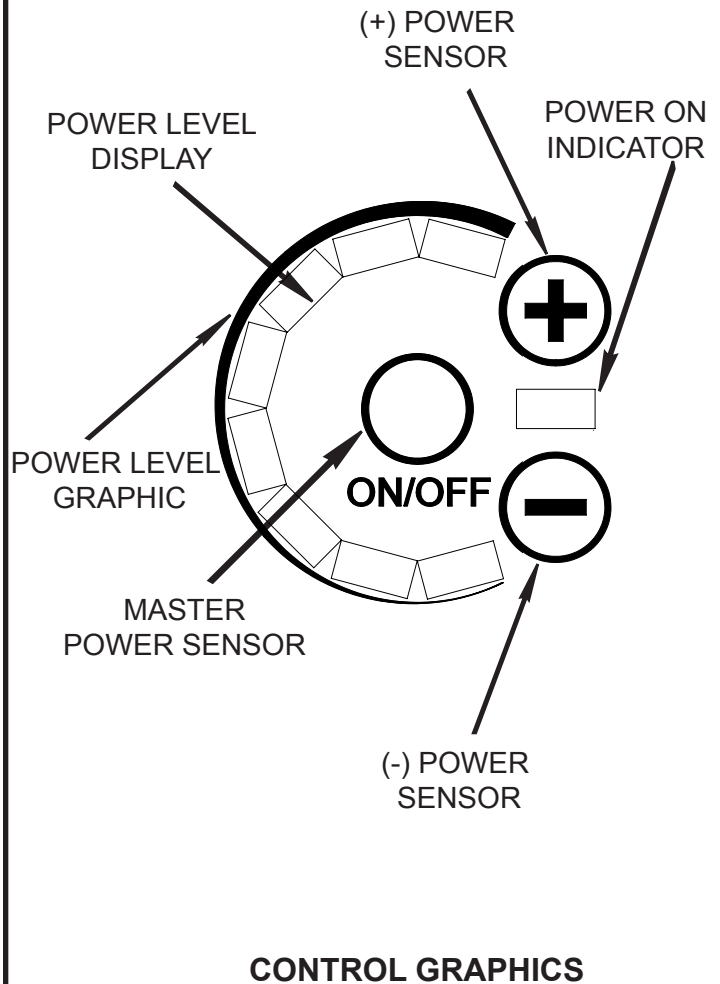
Touching this sensor will decrease the heat output of the grill in increments of one.

POWER LEVEL GRAPHIC

Depicts the level of heat output by the element. The line sweeps from thin to thick, indicating low to high power.

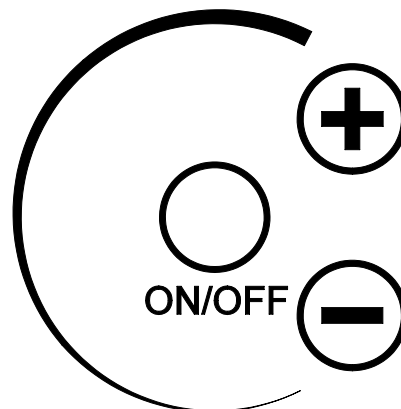
MASTER POWER SENSOR

This is the main power control for the grill. Touching this with the grill OFF will activate the controller and turn the grill ON. Touching this sensor with the grill on will shut the grill OFF.



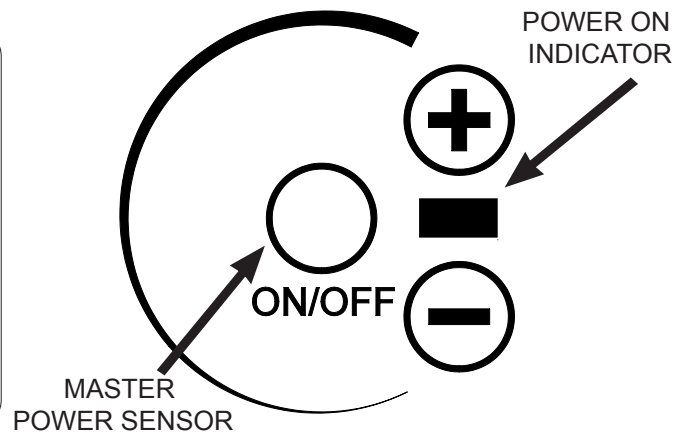
CALIBRATION

Upon application of electrical power to the grill, the controller will run a self-calibration process. The controller will then sound an audible confirmation tone and the display will briefly illuminate. The grill is now ready to be used.



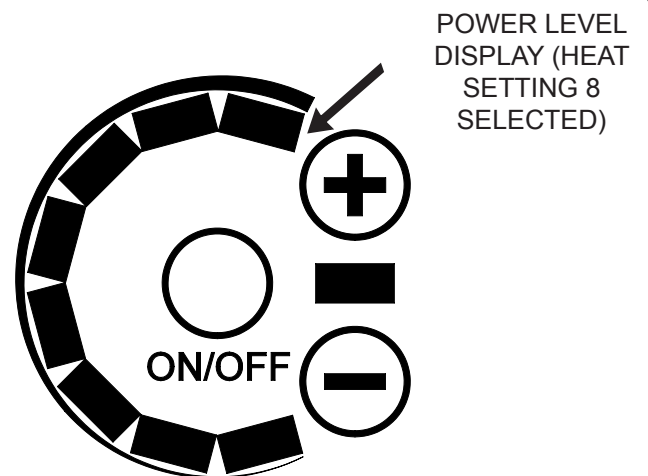
ENERGIZING THE GRILL

To turn the grill ON, touch and hold the Master Power Sensor for two seconds. The controller will then beep and the Power On Indicator will illuminate.



HEAT SETTINGS

Your KENYON grill has 8 different heat settings, from 1 through 8, selected using the (-) and (+) sensors. The heat setting is displayed as shown at the right. The heating element cycles at different time intervals to vary the heat level. As the setting is increased, the heating element will remain on for a longer period, increasing the cooking temperature of the grill.



TURNING "OFF" THE GRILL

To turn off the grill, simply **touch and hold** the Master Power Sensor for **two seconds**. The controller will de-energize and shut off the heating element.

IN AN EMERGENCY THE 120V GRILL CAN BE TURNED OFF BY PRESSING THE "TEST" BUTTON ON THE GFCI. REFER TO FIG. 5.

AUTOMATIC SHUT-OFF

The electronic control of your KENYON grill has been programmed with safety in mind and features an automatic shut-off. The grill is programmed to shut down after a predetermined time after being energized (see table below). The control will also shut off if it reaches a preset temperature limit. If this occurs, allow the grill to cool down for 20-30 minutes.

PREHEAT AND AUTO SHUT-OFF TIME

The grill control has a preheat function which applies full power for a set amount of time for each power setting selected. This preheat function brings the grate/griddle to the desired grilling temperature quicker thus allowing you to begin grilling quicker. The table below provides the preheat time and auto shut-off time for each power setting.

SETTING	PREHEAT TIME (min)	AUTO SHUT-OFF (min)
1	1	90
2	3	90
3	5	90
4	5	60
5	7	60
6	7	60
7	7	60
8	8	60

TEMPERATURE GUIDE

The following is meant to be a guideline. Factors such as wind, and outside temperatures, food temperature when placed on grill can affect cooking times. The grill is designed and engineered for optimal cooking performance with the lid down or closed.

SETTING	FOOD TYPES
1	Fried eggs on griddle
2	Pancakes - French toast on griddle
3	Vegetables
4	Vegetables - Fish
5	Fish - Chicken
6	Chicken - Hamburgers
7	Hamburgers - Steaks
8	Steaks

Power Cord

THIS PERTAINS TO 120V MODELS ONLY

GROUND FAULT CIRCUIT INTERRUPTER (GFCI)

The GFCI is a safety device designed to protect the user from any electrical shock hazard.

INDICATOR LIGHT

The indicator light will stay illuminated when electrical power is applied and indicates that the GFCI is working properly.

TEST/EMERGENCY OFF BUTTON

Pressing this button will test the GFCI. The indicator light will go out and electrical power will not be supplied to the grill. The GFCI should be tested monthly.

RESET BUTTON

Pressing this button will reset the GFCI to its normal function. The indicator lamp will illuminate and electrical power will be supplied to the grill. If the indicator lamp does not illuminate, the GFCI has detected a malfunction. Unplug the GFCI from the receptacle and do not use the grill.

GROUNDING 3-PRONG PLUG

CAUTION - To ensure continued protection against risk of electric shock, the GFCI must be plugged into a properly grounded receptacle.

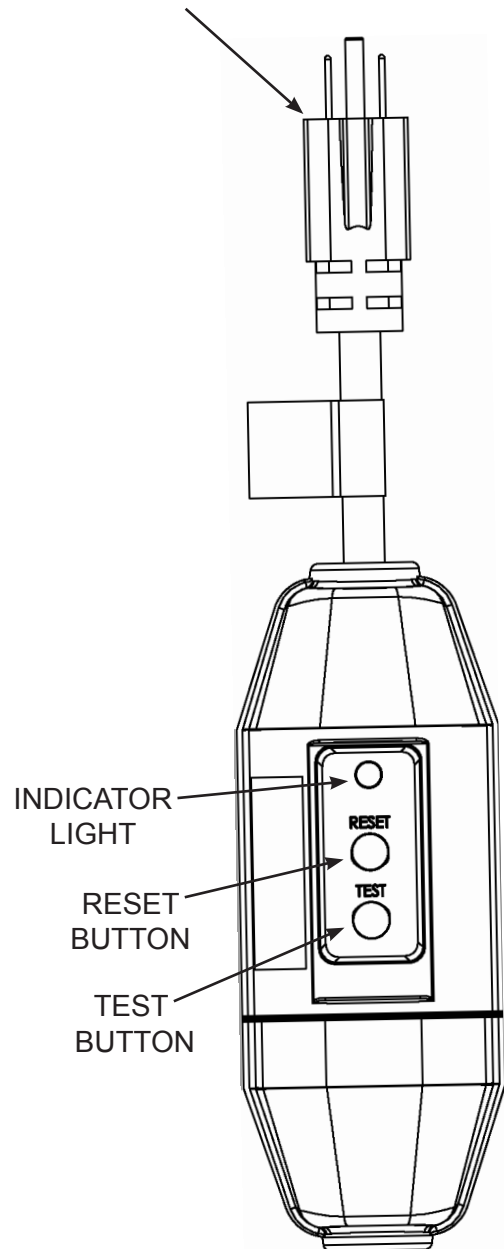
DO NOT USE AN EXTENSION CORD

240V MODELS

GROUND FAULT CIRCUIT

The supply voltage circuit (240V) should be equipped with a ground fault circuit interrupter. Check local codes for compliance.

GROUNDING 3-PRONG PLUG



GROUND FAULT
CIRCUIT INTERRUPTER
GFCI

Fig. 5

Grill Parts

HEATING ELEMENT

The heating element is designed to pivot as shown to remove/replace the baffle tray and drip tray. It will stay in the up position. To put down apply slight downward pressure.

BAFFLE TRAY

The baffle tray supports the drip tray, heating element and grate and must always be used when operating the grill.

DRIP TRAY

The disposable drip tray collects all the fat and juices created during the cooking process. The drip tray must be emptied after each use. When replacing the drip tray, position the drip tray so that it is completely contained inside the baffle tray and insuring that the side or the rim of the drip tray does not protrude outside of the baffle tray. (see Fig. 6)

To prevent the contents of the drip tray from smoking, place 1 cup of water (or enough to cover the bottom of the pan) in the drip tray before cooking. The replacement for the disposable drip tray is Kenyon part #B96001.

GRATE

The grate must be cleaned after every use. The grate has a nonstick coating for ease of cleaning. Wash the grate after each use in warm soapy water.

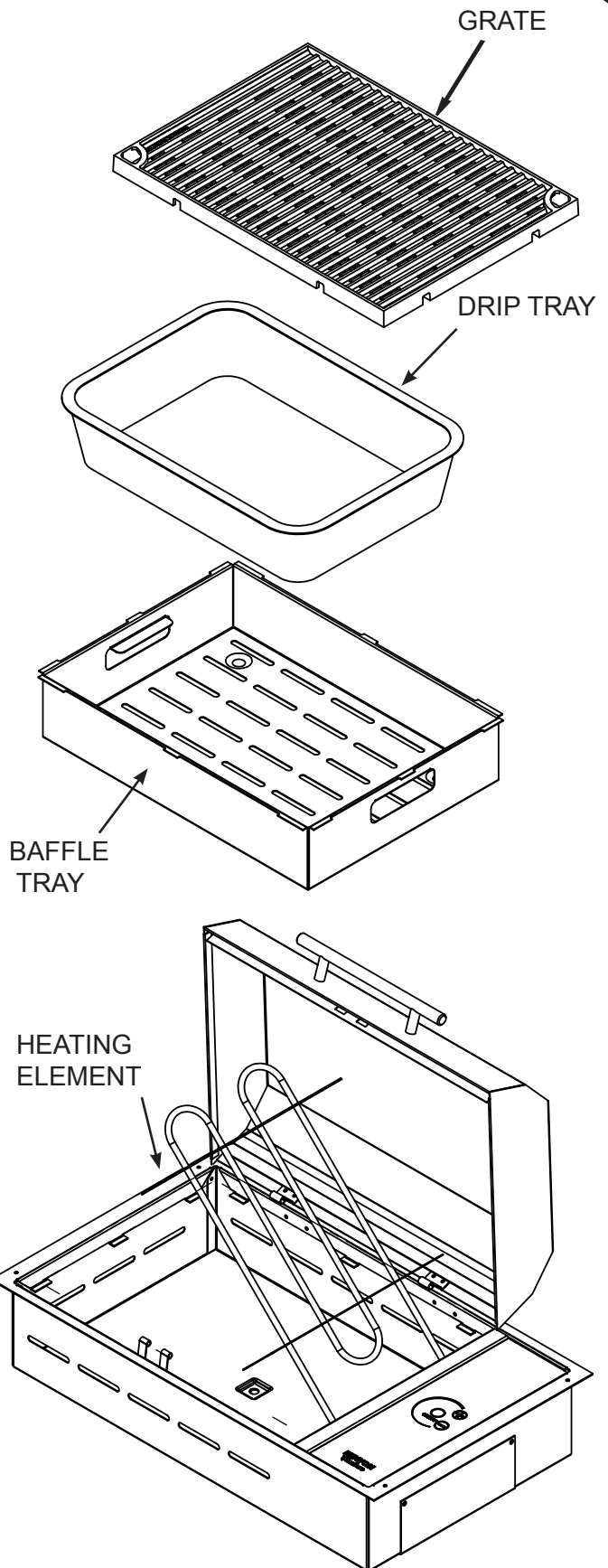
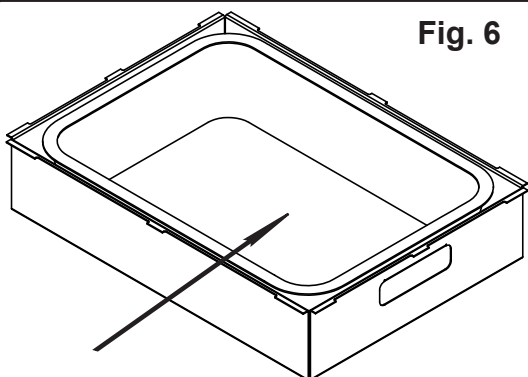


Fig. 6



DRIP TRAY MUST BE CONTAINED INSIDE OF BAFFLE TRAY AS SHOWN

Lid Removal

LID REMOVAL

The grill lid is removable for cleaning. To remove the lid, slide the quick release pin out of the hinge. (see Fig. 7)

With the quick release pin removed, grasp the lid, lifting on the left side to clear the hinge and slide it the left until clear of the hinge pin on the right. (see Fig. 8) Once the lid is removed, it can be washed in warm, soapy water.

Fig. 7

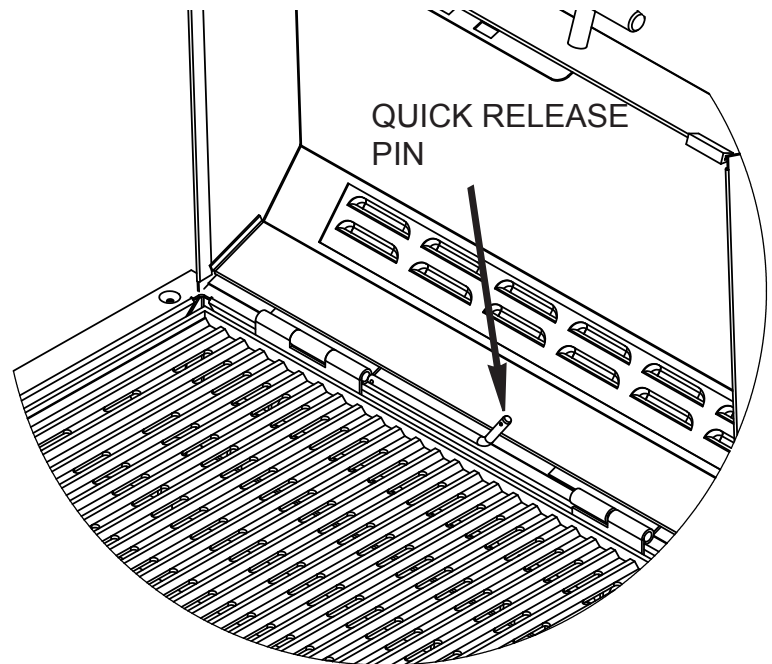
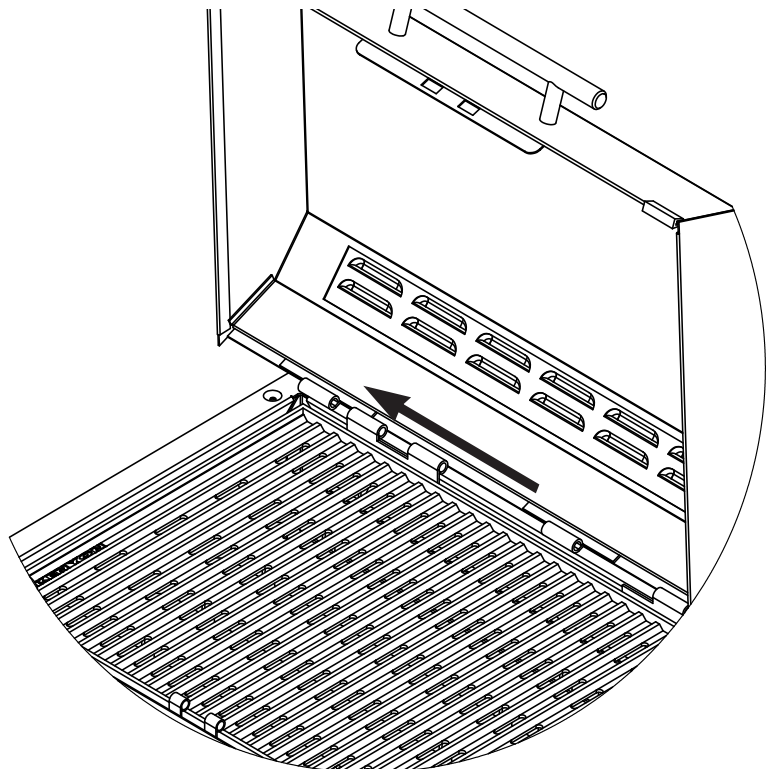


Fig. 8



Kenyon International, Inc (the "Company") warrants its products in normal usage to be free of defects in materials and workmanship subject to the conditions and limitations below. Any part, which proves to be defective in normal usage during the warranty period will be repaired or replaced by the Company.

In order for product to be covered under this warranty it must be returned to the Company for evaluation. Please contact kenyonservice@cookwithkenyon.com for return instructions.

This warranty covers certain products built by the Company and is subject to the following conditions and limitations:

1. The Company's liability shall be limited to repair or replacement (choice of remedy at Company's option) of electronic components as may be defective in materials or workmanship. This liability is limited to three years from the date of original installation or 42 months from invoice date, whichever comes first; this warranty covers parts and labor at pre-approved rates. Stainless steel is warranted with a lifetime guarantee to be rust free when cared for monthly as outlined in owner's manual. If corrosion begins, contact the Company with photo evidence of corrosion for replacement components.
2. Determination of suitability of the product for the use contemplated by the Buyer is the sole responsibility of the Buyer and the Company shall have no responsibility in connection with such suitability.
3. The Company shall not be liable for any damage resulting from:
 - failures due to use of the product in applications for which they are not intended;
 - failures due to corrosion, wear and tear, abuse, neglect, improper installation or maintenance;
 - failures due to breakage of glass, accidental or otherwise.
4. The Company shall be responsible for ground shipping charges to the location of the appliance (home) within the Continental United States and Canada. Any duties, express or special shipping charges are at the expense of the Buyer.
5. All labor allowed by the Company under this warranty must be pre-authorized and performed by an Authorized Kenyon International Service Center, unless otherwise specified in writing by the Company.

THERE ARE NO OTHER WARRANTIES OF MERCHANTABILITY, FITNESS FOR PURPOSE OR ANY OTHER KIND, EXPRESSED OR IMPLIED AND NONE SHALL BE IMPLIED BY LAW. The duration of any such warranties that are nevertheless implied by law for the benefit of a consumer, shall be limited to a period of three years from original purchase by the user. Some countries do not allow limitations on how long an implied warranty lasts, so this limitation may not apply to you.

THE COMPANY SHALL NOT BE LIABLE FOR CONSEQUENTIAL OR INCIDENTAL DAMAGES ARISING FROM THE BREACH OF THIS WARRANTY, WHETHER EXPRESSED, IMPLIED OR STATUTORY. Some countries or states do not allow exclusion or limitation of consequential or incidental damages so this limitation or exclusion may not apply to you.

THIS WARRANTY GIVES YOU SPECIFIC LEGAL RIGHTS AND YOU MAY ALSO HAVE OTHER LEGAL RIGHTS THAT MAY VARY FROM COUNTRY TO COUNTRY AND STATE TO STATE.

Kenyon International, Inc.
P.O. Box 925 • 8 Heritage Park Road • Clinton, CT 06413 USA
Phone (860) 664-4906 FAX: (860) 664-4907

MESURES DE SÉCURITÉ IMPORTANTES

- Lors de l'utilisation d'appareils électriques, des mesures de sécurité élémentaires doivent être respectées, y compris les suivantes :**
1. Lisez TOUTES les instructions avant d'utiliser le produit.
 2. Ne touchez pas aux surfaces brûlantes. Utilisez les poignées ou les boutons.
 3. Pour vous protéger contre les électrocutions, ne submergez pas le cordon ou les fiches dans l'eau ou dans tout autre type de liquide.
 4. Une surveillance étroite est nécessaire lorsque des appareils électroménagers sont utilisés à proximité d'enfants.
 5. Débranchez la prise de courant de l'appareil lorsque qu'il n'est pas utilisé ou avant de le nettoyer. Laissez-le refroidir avant d'y poser ou d'en retirer des pièces.
 6. Ne faites pas fonctionner un appareil dont le cordon d'alimentation ou la fiche sont endommagés. Si l'appareil ne fonctionne pas correctement, cessez de l'utiliser et contactez le détaillant d'électroménagers agréé ou le fabricant le plus près de chez vous pour faire examiner, réparer et régler l'appareil.
 7. L'utilisation d'accessoires qui n'ont pas été fournis par le fabricant de l'appareil peut causer des blessures.
 8. Si le produit est utilisé comme grill portatif, rangez-le à l'intérieur lorsque vous ne vous en servez pas. Si le produit est utilisé comme grill encasturé, un abri convenable doit être prévu afin de le protéger contre la pluie directe. Des housses sont disponibles.
 9. Ne laissez pas le cordon pendre par-dessus le bord de la table ou du comptoir de cuisine et ne le laissez pas entrer en contact avec des surfaces brûlantes.
 10. Ne placez pas l'appareil sur ou près d'un brûleur électrique ou à gaz.
 11. Vous devez faire preuve d'une extrême prudence lorsque vous déplacez un appareil contenant de l'huile brûlante ou d'autres liquides brûlants.
 12. Branchez toujours en premier la fiche dans l'appareil, puis ensuite branchez le cordon d'alimentation dans la prise murale. Pour le débrancher, mettez toutes les commandes sur « Arrêt », puis retirez la fiche de la prise murale.
 13. N'utilisez pas l'appareil à des fins autres que celles prévues.
 14. Versez toujours au moins une (1) tasse d'eau dans le plateau d'égouttage jetable avant de faire griller des aliments.
 15. Ne laissez jamais des enfants seuls. Il ne faut jamais laisser des enfants sans surveillance autour du grill.
 16. Laissez le grill refroidir avant d'enlever les grilles de cuisson, le plateau d'égouttage jetable ou les couvercles.
 17. Des combustibles, tels que des briquettes de charbon, ne doivent pas être utilisés dans cet appareil.
 18. Assurez-vous que le grill est installé conformément aux instructions et qu'il est correctement mis à la terre par un électricien qualifié.
 19. Ne remplacez pas et n'essayez pas de réparer une pièce quelconque du grill, à moins d'indications contraires dans ce manuel.
 20. N'essayez pas d'éteindre un incendie de graisse avec de l'eau, utilisez un extincteur d'incendie chimique.
 21. Ne rangez pas de matériaux inflammables à proximité du grill.

VEUILLEZ LIRE LA TOTALITÉ DE CES INSTRUCTIONS AVANT D'INSTALLER ET D'UTILISER L'APPAREIL. CONSERVEZ CES INSTRUCTIONS.

COMMENT UTILISER LE GRIL

REMOVE & READ PRIOR TO GRILLING

QUICK START TIPS

Thank you for purchasing the World's Finest All Season® Electric Grill. There are a few simple steps you can take to ensure your good decision will lead to years of World-Class Grilling.

VISIT OUR WEBSITE
to purchase recipe books, cooking utensils, griddles, grill covers, and more!

1. Remove grates and drip tray if desired.
2. Insert the drip tray into the bottom grill. Make sure the burner brackets are not resting on the drip tray.
3. Always fill the drip tray (if with oil) with oil. Water will work, but may not fry your oil well so add flavor to your favorite food. Then reheat cooking grates.
4. Depending on model, either "buckle" your Kenyon All Season® Grill or plug it directly into an outlet. Do not use extension cords.
5. Preheat grill for 10-15 minutes on High (8 bars). Adjust heat setting for type of food, for example:
 - Vegetables: 9 bars
 - Burgers: 7 bars
 - Steaks: 7 bars
6. Close and cook. Enjoy the best grilled food you have ever tasted!
7. Once your grilling session is complete, grates will cool, hand and wipe down your grates. Goodness alert! The dishwasher along with the drip tray as that it's ready for its next use already!
8. While the grill is on, don't forget to clean out the drip tray contents. You'll thank your pre-planning to have your grill ready.

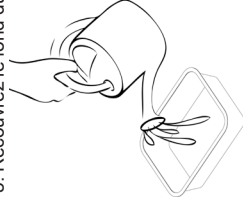
www.cookwithkenyon.com | 880.884.4806

L’AFFICHE CI-DESSUS SE TROUVE SOUS LE COUVERCLE DE VOTRE BARBECUE. VEUILLEZ LIRE L’AFFICHE ET L’ENLEVER AVANT D’UTILISER LE BARBECUE.

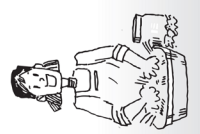
1. Avant d'utiliser votre grill, retirez la grille de cuisson et le plateau d'égouttage du grill. Lavez le grill avec de l'eau chaude savonneuse et un tissu non abrasif. **UTILISEZ UNIQUEMENT DES USTENSILES EN PLASTIQUE POUR TEMPÉRATURE ÉLEVÉE LORSQUE VOUS FAITES CUIRE DES ALIMENTS.** Rendez-vous sur notre site internet www.cookwithkenyon.com pour acheter un ensemble d'ustensiles en plastique et en acier inoxydable pour grill pour température élevée.

2. Assurez-vous que le plateau d'égouttage est inséré sur tout son long au bas du grill et que les pattes de fixation de l'élément chauffant sont bien posées sur les pattes de fixation du support de l'élément.

3. Recouvrez le fond du plateau d'égouttage de liquide. L'eau convient.



N'utilisez PAS DE LIQUIDES INFLAMMABLES !
Autrement vous détruirez votre barbecue. Ajoutez du jus de pomme lorsque vous faites griller du porc pour donner une bonne saveur à la viande. Une canette de boisson gazeuse au citron est excellente si vous faites griller du poisson. Essayez toutes les boissons que vous aimez boire. **Seulement n'oubliez pas de verser du liquide dans le plateau d'égouttage avant de faire griller un aliment.**



4. Pour éviter la fumée lorsque vous utilisez votre grill, nettoyez toujours la surface de cuisson après chaque utilisation. Lavez-la simplement avec de l'eau chaude et savonneuse, et un tissu non abrasif ou lavez-la au lave-vaisselle. Videz le plateau d'égouttage et essuyez-le avec une serviette en papier humide. Le plateau d'égouttage peut être utilisé plusieurs fois avant d'être remplacé.

5. Placez votre grille de cuisson ou la plaque optionnelle (article n° B96000) sur l'élément chauffant après avoir installé le plateau d'égouttage. Servez-vous de la plaque optionnelle pour préparer des aliments tels que des œufs, des crêpes ou mon plat préféré, des pains dorés farcis !

6. Préchauffez le grill de 5 à 9 minutes à température élevée (8 barres allumées). Réglez la température selon le type d'aliment.

- Bifteck 7 à 8 barres
- Hamburgers 6 à 7 barres
- Porc et poisson 4 à 5 barres
- Légumes 3 à 4 barres

7. Fermez le couvercle et faites cuire. Savourez les meilleurs aliments grillés jamais dégustés !

8. Nettoyer. C'est très facile comme vous allez le voir. Après que le grill soit suffisamment refroidi pour que vous puissiez y toucher, prenez quelques morceaux de serviette en papier et placez-les sur la surface de cuisson. Versez environ une once d'eau sur les serviettes en papier et ensuite, à l'aide des pinces en nylon pour température élevée, frottez avec les serviettes en papier en faisant des mouvements vers l'avant et vers l'arrière afin de détacher les résidus collés sur votre grill. Jetez les serviettes en papier à la poubelle et essuyez la grille à l'aide d'une serviette sèche en papier.

9. Une fois la grille suffisamment refroidie, enlevez-la et placez-la au lave-vaisselle pour un lavage en profondeur.

10. Après avoir retiré la grille, soulevez l'élément chauffant et retirez le plateau d'égouttage. Videz le contenu du plateau d'égouttage à un endroit approprié, prenez soin de ne pas le vider sur la pelouse de vos voisins. Essayez le plateau avec une serviette sèche pour le réutiliser. Le plateau peut être utilisé plusieurs fois.

11. Au bout de 7 – 8 utilisations, vous devriez laver le couvercle. Vous pouvez le placer au lave-vaisselle et le laver au cycle casseroles et poêles. Cela redonnera à votre grill son apparence parfaite d'origine.

12. Avant de laver le grill, assurez-vous que la surface de cuisson est suffisamment refroidie pour que vous puissiez la manipuler. Retirez ensuite la grille, soulevez l'élément chauffant jusqu'à ce qu'il soit verrouillé en position haute, puis ensuite retirez le plateau d'égouttage.

13. Essayez la surface en acier inoxydable à l'aide d'un linge humide pour enlever tous les résidus des cuissons antérieures.

14. Votre grill Kenyon comprend une bouteille échantillon de produit nettoyant pour acier inoxydable. Utilisez ce produit nettoyant une fois par mois pour conserver l'apparence neuve de votre grill.

15. Le tableau de commandes électronique est en vitrocéramique ce qui le rend étanche et le protège ainsi contre la pluie, la neige et la glace. Nettoyez la vitre à l'aide d'un nettoyant à vitre et d'un linge doux. Si des tâches se forment, utilisez un nettoyant à vitrocéramique que vous pouvez vous procurer à l'épicerie près de chez vous.



CARACTÉRISTIQUES TECHNIQUES DU PRODUIT

Frontier

Modèle B70050 - UL – 120 V c.a. – 1300 W – 11 A
Modèle B70051 – 240 V c.a. – 1300 W – 6 A

Dimensions générales : 533 mm x 305 mm x 102 mm (187 mm avec le couvercle)
21 po x 12 po x 4 po (7 3/8 po avec le couvercle)

La profondeur ne comprend pas le raccord d'évacuation
Dimensions de découpe : 501,6 mm x 296 mm avec coins arrondis de 6 mm
19 3/4 po x 11 5/8 po avec coins arrondis de 1/4 po

Portatif

Modèle B70090 - UL – 120 V c.a. – 1300 W – 11 A

Dimensions générales : 533 mm x 305 mm x 219 mm
21 po x 12 po x 8-5/8 po

Floridian

Modèle B70080- UL – 120 V c.a. – 1300 W – 11 A
Modèle B70081 – 240 V c.a. – 1300 W – 6 A

Dimensions générales : 533 mm x 305 mm x 102 mm (206 mm avec le couvercle)
21 po x 12 po x 4 po (8-1/8 po avec le couvercle)

La profondeur ne comprend pas le raccord d'évacuation

Dimensions de découpe : 501,6 mm x 296 mm avec coins arrondis de 6 mm
19 3/4 po x 11 5/8 po avec coins arrondis de 1/4 po

Portatif

Modèle B70082 - UL – 120 V c.a. – 1300 W – 11 A

Dimensions générales : 533 mm x 305 mm x 238 mm
21 po x 12 po x 9-3/8 po

Rio

Modèle B70085 - UL – 120 V c.a. – 1300 W – 11 A
Modèle B70086 – 240 V c.a. – 1300 W – 6 A

Dimensions générales : 584 mm x 397 mm x 102 mm (206 mm avec le couvercle)
23 po x 15 5/8 po x 4 po (8-1/8 po avec le couvercle)

La profondeur ne comprend pas le raccord d'évacuation

Dimensions de découpe : 501,6 mm x 296 mm avec coins arrondis de 6 mm
19 3/4 po x 11 5/8 po avec coins arrondis de 1/4 po

No Lid

Modèle B70060 - UL – 120 V c.a. – 1300 W – 11 A
Modèle B70061 - UL – 240 V c.a. – 1300 W – 6 A

Modèle B70062 - UL – 120 V c.a. – 1300 W – 11 A
Modèle B70067 – 240 V c.a. – 1300 W – 6 A

Dimensions générales : 533 mm x 305 mm x 102 mm
21 po x 12 po x 4 po

La profondeur ne comprend pas le raccord d'évacuation

Dimensions de découpe : 501,6 mm x 296 mm avec coins arrondis de 6 mm
19 3/4 po x 11 5/8 po avec coins arrondis de 1/4 po

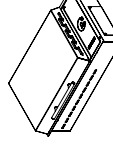
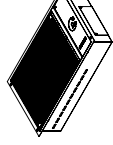
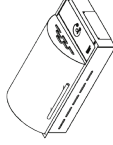
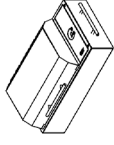
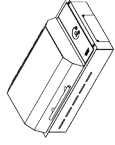
Half Height Lid

Modèle B70056 - UL – 120 V c.a. – 1300 W – 11 A
Modèle B70057 – 240 V c.a. – 1300 W – 6 A

Dimensions générales : 533 mm x 305 mm x 102 mm (159 mm avec le couvercle)
21 po x 12 po x 4 po (6-1/4 po avec le couvercle)

La profondeur ne comprend pas le raccord d'évacuation

Dimensions de découpe : 501,6 mm x 296 mm avec coins arrondis de 6 mm
19 3/4 po x 11 5/8 po avec coins arrondis de 1/4 po



INSTALLATION

Contenu de l'emballage

Votre grill All Seasons® est assemblé et prêt à être utilisé. Avant d'utiliser votre grill, inscrivez le numéro de série de l'appareil ici pour référence ultérieure : _____ . Vous pouvez trouver le numéro de série sur le côté court du grill, à l'extrémité où est situé le panneau de commande vitré. Le numéro de série est composé de six caractères.

Le conteneur dans lequel est livré le grill All Seasons® comprend les articles suivants : quatre (4) vis de montage, un tuyau d'évacuation de 0,9 m (3 pieds), un raccord coudé ou un bouchon de vidange selon le modèle portatif ou encastré, un manuel d'instructions et un produit nettoyant pour acier inoxydable. Si un des composants est manquant ou endommagé, appelez immédiatement KENYON.

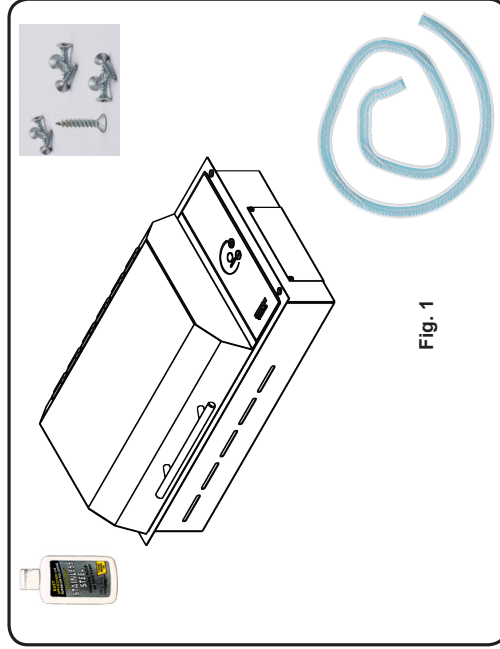


Fig. 1

Exigences électriques

Vérifiez les exigences de tension d'alimentation

L'installation de ce produit doit être conforme aux codes électriques nationaux, régionaux et locaux. Le tableau ci-dessous indique la tension, l'intensité de courant et la fréquence requises pour alimenter le grill.

Le grill doit être alimenté par un circuit individuel mis à la terre et protégé par un disjoncteur. La capacité du circuit doit correspondre aux spécifications techniques du modèle, telles qu'indiquées dans le tableau ci-dessous.

KENYON N° d'article	Charge maximale	Alimentation électrique	Type de fiche
B70050 B70056 B70060 B70062 B70080 B70082 B70085 B70090	1300 W	120 V c.a. 11 A 60 Hz	Câble avec mise à la terre à 3 broches avec disjoncteur de fuite à la terre
B70051 B70057 B70061 B70067 B70081 B70086	1300 W	240 V c.a. 6 A 60 Hz	Cordon à 3 fils sans fiche

AVERTISSEMENT :

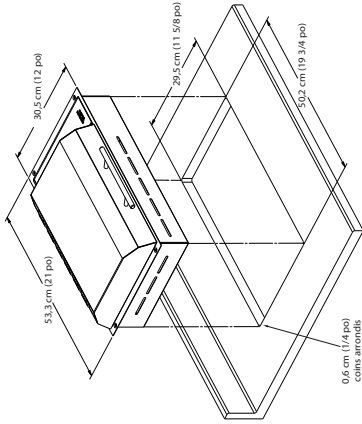
Si l'alimentation électrique ne répond pas aux exigences des spécifications techniques du produit, consultez un électricien agréé avant de procéder à l'installation !
Ne retirez en aucun cas le disjoncteur de fuite à la terre du cordon d'alimentation fourni.

Installation sur un comptoir de cuisine

Votre grill All Seasons® est fourni avec une collerette d'encastrement en acier inoxydable poli installée en usine qui est prévue pour un montage avec des vis à bois à tête fraisée bombée. La collerette d'encastrement du grill est conçue de sorte à maintenir l'appareil fermement en place dans le comptoir de cuisine. Si vous le souhaitez, vous pouvez sceller le bord du comptoir de cuisine sous la collerette d'encastrement. **Utilisez un composé de scellement souple pour éviter tout dommage si le grill doit être démonté ultérieurement pour des réparations. Nous recommandons l'utilisation d'un scellant non adhésif comme de la pâte de plomberie, d'une épaisseur comprimée maximale de 1,6 mm (1/16 po).** Si désiré, de la silicone peut être utilisée pour sceller uniquement les bords de la vitre.

AVERTISSEMENT :

Laissez un dégagement d'au moins 5 cm (2 po) entre le fond du grill et la surface combustible en dessous, par ex. le rebord supérieur du tiroir installé sous le grill (Figure 3, page 12). Si un dégagement et une aération adéquats ne sont pas laissés, des risques d'incendie sont possibles.



DIMENSIONS de la partie découpée dans le comptoir de cuisine **GRIL B70050**

Veillez lire cette partie avant de découper l'endroit où le grill sera installé.

Il est important de planifier l'installation du grill, gardant à l'esprit les dimensions suivantes (veillez vous reporter à la Fig. 2 ci-dessous).

- A** – Armoires de rangement supérieures d'une profondeur maximale de 33 cm (13 po)
- B** – 91,4 cm (36 po) est la distance minimale entre le dessus du comptoir et le plancher
- C** – La surface minimale du comptoir de cuisine sur lequel le grill sera posé doit être égale ou supérieure aux dimensions générales du grill (reportez-vous à la page 8 pour connaître les dimensions générales du grill).
- D** – Dégagement d'au moins 76,2 cm (30 po) entre le dessus du grill et la partie inférieure d'une armoire en bois ou en métal non protégé ou un dégagement de 61 cm (24 po) si le fond de l'armoire de rangement en bois ou en métal est protégé par un celloidarme ignifuge d'une épaisseur minimale de 0,6 cm (1/4 po) recouvert d'une feuille d'acier d'un calibre d'au moins N° 28 MSG, d'acier inoxydable d'une épaisseur d'au moins 0,38 mm (0,015 po), d'aluminium d'une épaisseur d'au moins 0,61 mm (0,024 po) ou de cuivre d'une épaisseur de 0,51 mm (0,020 po).
- E** – Une distance minimale de 10,2 cm (4 po) entre le dossier du comptoir de cuisine et le rebord du grill (reportez-vous à la page 8 pour connaître les dimensions générales du grill). Distance minimale de 3,8 cm (1,5 po) entre le devant du comptoir de cuisine et le grill.

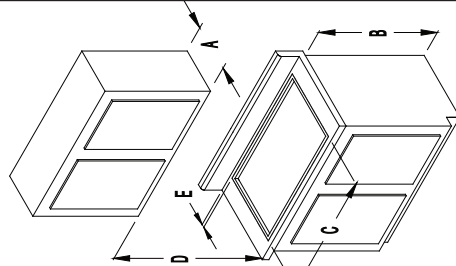


Fig. 2

POUR LES INSTALLATIONS FAITES AU CANADA : « Ne pas installer à moins de 12 mm (1/2 po) de toute surface adjacente »

AVERTISSEMENT :

Pour éliminer les risques de brûlures lorsque quel qu'un tente d'accéder à l'espace au-dessus du grill chauffé, évitez d'installer toute armoire de rangement au-dessus du grill. Si l'armoire de rangement est prévue à cet endroit, les risques peuvent être réduits en installant une hotte qui dépasse horizontalement d'au moins 12,7 cm (5 po) de la partie inférieure des armoires.

Avant de faire la découpe du comptoir, vérifiez tous les dégagements. Assurez-vous de laisser un dégagement suffisant entre le grill et les parois avant et latérales de l'armoire inférieure. Assurez-vous également de prévoir un dégagement adéquat pour le dossier afin de pouvoir ouvrir le couvercle au complet.

Une aération appropriée en dessous du comptoir de cuisine doit être prévue pour assurer le bon fonctionnement du grill. La chaleur émise par le fond du grill pendant son fonctionnement entrainera la surchauffe de cette zone si elle est insuffisamment aérée.

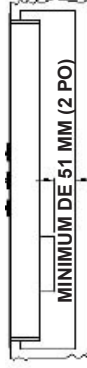


Fig. 3

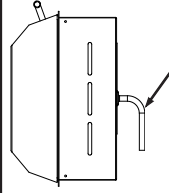
Lorsque vous découpez le comptoir de cuisine, prévoyez un rayon aux coins afin d'éviter la fissuration du matériau dont le comptoir est fabriqué. Un rayon de 6 mm (1/4 po) est généralement utilisé, mais suivez les instructions du fabricant du comptoir de cuisine relatives au rayon minimal et aux renforts requis pour éviter que le comptoir ne subisse des dommages au fil du temps.

Si votre comptoir de cuisine est fabriqué en matériau solide, demandez au fabricant les recommandations particulières concernant l'installation d'une table de cuisson et un grill. Pour la plupart des surfaces solides de comptoir, les fabricants exigent des supports de coins supplémentaires afin d'éviter d'endommager le comptoir de cuisine. Servez-vous des vis fournies pour fixer le grill au comptoir de cuisine. Faites attention de ne pas trop serrer les vis. Scellez la colerette d'encastrement au comptoir de cuisine à l'aide d'un matériau d'étanchéité en acrylique.

Si votre comptoir de cuisine est fabriqué en pierre, vous devrez utiliser un latex en acrylique pour installer le grill en place. Posez un cordon épais de matériau d'étanchéité autour de la partie découpée et placez le grill. Essayez et enlevez l'excédent de matériau d'étanchéité en utilisant de l'eau. Laissez sécher le matériau d'étanchéité pendant au moins 24 heures en prenant garde de ne pas permettre à l'humidité d'entrer en contact avec le matériau d'étanchéité. N'utilisez pas les vis fournies avec votre grill. Le matériau d'étanchéité retiendra fermement en place le grill. N'utilisez pas de matériau d'étanchéité à base de silicone car cela tâchera la pierre.

Raccordement de l'évacuation

Pour vous faciliter la tâche, le grill est muni d'un raccord de tuyauterie en laiton de 3 mm (1/8 po) NPT et d'un raccord coudé à 90° en laiton auquel vous pouvez raccorder le tuyau flexible de 6 mm (1/4 po) de diamètre intérieur fourni avec votre grill. Le modèle portatif du grill comprend un bouchon fileté en laiton monté dans le raccord d'évacuation. Si vous prévoyez utiliser votre grill comme appareil portatif, conservez le tuyau et le raccord à 90° pour une installation éventuelle.

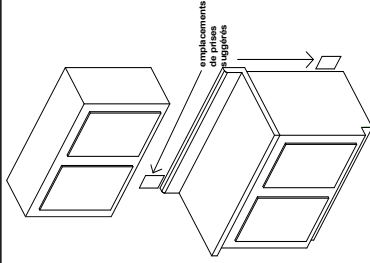


Raccord d'évacuation pour tuyau d'un diamètre intérieur de 6 mm (1/4 po)

Fig. 4

Emplacement de la prise de courant

Assurez-vous que la prise de courant prévue pour le gril se trouve à un endroit facilement accessible. Cela permet à l'utilisateur de brancher et de débrancher facilement le gril. Un tel montage est nécessaire pour assurer un nettoyage et un rangement sécuritaires du gril.



Dernières préparations avant l'utilisation

Retirez la pellicule protectrice en plastique du couvercle, de la collerette d'encastrement et du panneau vitré. Nettoyez le gril avant la première utilisation. Un nettoyage en profondeur avec un nettoyage à acier inoxydable ou à vitre permettra d'enlever toute trace d'adhésif laissée par la pellicule en plastique, ainsi que les huiles de fabrication.

Lavez avec de l'eau chaude savonneuse les grilles à revêtement antiadhésif avant d'utiliser le gril.

FONCTIONNEMENT DU GRIL

N'ESSAYEZ JAMAIS D'ÉTEINDRE UN INCENDIE DE GRAISSE AVEC DE L'EAU. Éteuffez le feu ou les flammes ou utilisez un extincteur à poudre chimique ou à mousse.

N'UTILISEZ QUE DES POIGNÉES ISOLANTES SÈCHES

La vapeur produite par des poignées mouillées ou humides pourrait causer des brûlures. Ne laissez pas la poignée entrer en contact avec la grille ou l'élément chauffant du gril. N'utilisez pas de serviette ou de linge épais au lieu de poignées de cuisine.

NE CUISINEZ JAMAIS SUR UNE GRILLE OU PLAQUE DE GRIL ENDOMMAGÉE

Si la grille se brise, la graisse et l'huile pourraient entrer en contact direct avec l'élément chauffant, créant ainsi des risques d'électrocution ou d'incendie. Communiquez immédiatement avec un centre de service autorisé ou avec le Service d'assistance à la clientèle de KENYON au (860) 664-4906.

NETTOYEZ LE GRIL AVEC PRUDENCE

Si vous utilisez une éponge ou un linge humide pour essuyer les déversements sur la surface de cuisson chaude, prenez garde de ne pas subir de brûlure de vapeur. Certains produits nettoyant produisent des émanations nocives lorsqu'appliqués sur une surface chaude. Lisez l'étiquette du produit avant de l'utiliser.

NE TOUCHEZ PAS LES ÉLÉMENTS CHAUFFANTS OU LA GRILLE

L'élément chauffant et la grille resteront brûlants pendant un certain temps après la cuisson. Il faut laisser refroidir ces composants avant de les manipuler soigneusement et prudemment pendant le nettoyage car ils peuvent être brûlants au point de causer de graves brûlures.

NETTOYEZ LE GRIL APRÈS CHAQUE UTILISATION

Cet appareil est muni d'un plateau d'égouttement amovible et jetable. Ce plateau **DOIT** être enlevé et nettoyé après CHAQUE utilisation. Ne laissez pas la graisse s'accumuler entre les cuissons. La cuvette et le plateau déflecteur **DOIVENT** être utilisés lorsque le gril est utilisé pour de la cuisson. Un excédent de graisse pourrait se répandre à l'intérieur du gril, annulant par ceci votre garantie et créant des risques d'incendie.

NE LAISSEZ JAMAIS SANS SUPERVISION UN GRIL LORSQU'IL EST RÉGLÉ À TEMPÉRATURE ÉLEVÉE

Un réglage de température élevée peut générer une grande quantité de fumée et enflammer la graisse.

NE NETTOYEZ PAS L'APPAREIL AVEC DE L'EAU SOUS PRESSION

Ne nettoyez jamais le gril avec de l'eau ou d'autres types de nettoyeurs sous pression. Autrement, la garantie sera annulée et des risques graves d'électrocution pourraient être créés. Nettoyez toujours le gril avec un linge et un produit nettoyant pour acier inoxydable ou pour vitre.

ENTREPOSAGE

Si le produit est utilisé comme gril portatif, rangez-le à l'intérieur lorsque vous ne vous en servez pas. Si le produit est utilisé comme gril encastré, un abri convenable doit être prévu afin de le protéger contre la pluie directe. Des housses sont disponibles.

POUR ÉVITER LA FUMÉE

Pour éviter que les accumulations dans la cuvette à graisse ne produisent de la fumée, versez 1 tasse d'eau (ou une quantité suffisante pour recouvrir le fond du plateau) dans la cuvette à graisse avant d'entreprendre la cuisson.

N'UTILISEZ PAS DE CASSEROLES OU D'AUTRES PLATS SUR LE GRIL

VEUILLEZ GARDER CE MANUEL D'INSTRUCTIONS PRÈS DU GRIL POUR RÉFÉRENCE ULTÉRIEURE

Tableau de commandes

VOYANT DE MISE SOUS TENSION

L'afficheur indique si le gril est en position MARCHÉ ou ARRÊT.

AFFICHAGE DU NIVEAU DE PUISSANCE

L'afficheur indique la puissance calorifique du gril. Les voyants lumineux suivent la trajectoire des graphiques affichés à l'écran. Huit niveaux de puissance sont possibles.

(+) CAPTEUR DE PUISSANCE

Si vous touchez ce capteur, la puissance calorifique du gril sera augmentée par incrément de un.

(-) CAPTEUR DE PUISSANCE

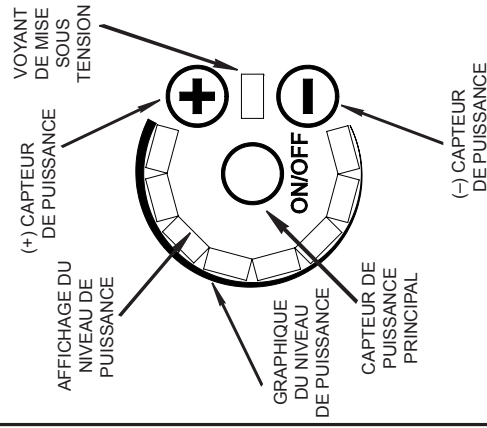
Si vous touchez ce capteur, la puissance calorifique du gril sera réduite par incrément de un.

GRAPHIQUE DU NIVEAU DE PUISSANCE

Illustre le niveau de puissance calorifique générée par l'élément chauffant. La ligne passe de mince à épaisse, indiquant par ceci une puissance faible à élevée.

CAPTEUR DE PUISSANCE PRINCIPAL

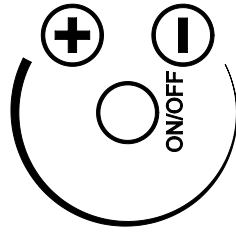
Il s'agit de la commande de puissance principale du gril. Si vous appuyez sur cette touche lorsque le gril est en position ARRÊT, alors le contrôleur sera activé et le gril sera mis sous tension. Si vous appuyez sur cette touche lorsque le gril est en position MARCHÉ, alors le gril sera mis hors tension.



GRAPHIQUE DE COMMANDE

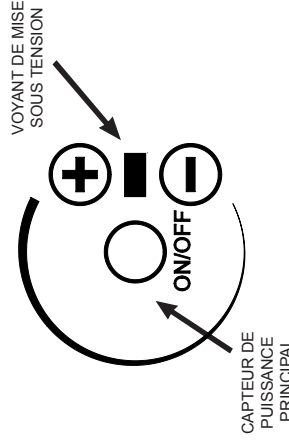
CALIBRAGE

Lorsque le grill est mis sous tension, le contrôleur lancera un processus d'auto-calibrage. Le contrôleur émettra un son de confirmation et l'écran s'allumera pendant un bref instant. Le grill est maintenant prêt à être utilisé.



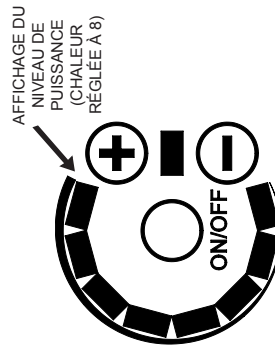
METTRE LE GRIL SOUS TENSION

Pour mettre le grill en MARCHÉ, appuyez et maintenez enfoncé le Capteur de puissance principal pendant 2 secondes. Le contrôleur émettra alors un bip et le voyant de mise sous tension s'allumera.



RÉGLAGES DE TEMPÉRATURE

Votre grill KENYON offre huit (8) réglages de température différents, de 1 à 8, que vous pouvez choisir à l'aide des capteurs (+) et (-). Le réglage de température est affiché tel qu'illustré à droite. L'élément chauffant s'allume et s'éteint à différents intervalles de temps pour faire varier le niveau de chaleur. Plus le réglage est augmenté, plus longtemps l'élément chauffant restera allumé, augmentant ainsi la température de cuisson du grill.



ARRÊTER LE GRIL

Pour arrêter le grill, appuyez et maintenez enfoncé simplement le Capteur de puissance principal pendant deux secondes.

Le contrôleur sera mis hors tension et il éteindra l'élément chauffant.

EN CAS D'URGENCE, LE GRIL DE 120 V PEUT ÊTRE ARRÊTÉ EN APPUYANT SUR LA TOUCHE « TEST » QUI SE TROUVE SUR LE DISJONCTEUR DE FUITE À LA TERRE. RE- PORTEZ-VOUS À LA FIG. 5.

ARRÊT AUTOMATIQUE

La commande électronique de votre grill KENYON a été programmée en gardant la sécurité à l'esprit et elle comprend une fonction d'arrêt automatique. Le grill est programmé pour s'arrêter après un délai prédéterminé suivant la mise sous tension (voir le tableau ci-dessous). La commande arrêtera également l'appareil s'il atteint une température limite prédéfinie. Si cela se produit, laissez le grill refroidir pendant 20 à 30 minutes.

PRÉCHAUFFAGE ET DÉLAI D'ARRÊT AUTOMATIQUE

La commande du grill est dotée d'une fonction de préchauffage qui applique la pleine puissance pendant une durée de temps déterminée pour chacun des réglages de puissance sélectionnés. Cette fonction de préchauffage porte à la température de cuisson souhaitée la grille/plaque plus rapidement, vous permettant ainsi de commencer à cuisiner plus vite. Le tableau ci-dessous indique les durées de préchauffage et les délais d'arrêt automatique de chaque réglage de puissance.

RÉGLAGE	DURÉE DE PRÉCHAUFFAGE (min)	ARRÊT AUTOMATIQUE (min)
1	1	90
2	3	90
3	5	90
4	5	60
5	7	60
6	7	60
7	7	60
8	8	60

GUIDE DE TEMPÉRATURE

Les informations suivantes sont données à titre informatif. Des facteurs tels que le vent, les températures extérieures, la température des aliments qui sont placés sur le grill peuvent avoir une incidence sur la durée de cuisson. Le grill est conçu et prévu pour assurer les meilleurs résultats de cuisson lorsque le couvercle est abaissé ou fermé.

RÉGLAGE	TYPES D'ALIMENTS
1	Œufs frits sur la plaque
2	Crêpes – pain doré sur la plaque
3	Légumes
4	Légumes – poisson
5	Poisson – poulet
6	Poulet – hamburgers
7	Hamburgers – biftecks
8	Biftecks

Cordon d'alimentation

CES CONSIGNES S'APPLIQUENT UNIQUEMENT AUX MODÈLES DE 120 V

DISJONCTEUR DE FUITE À LA TERRE

Le disjoncteur de fuite à la terre est un dispositif conçu pour protéger l'utilisateur contre les risques d'électrocution.

VOYANT LUMINEUX

Le voyant lumineux restera allumé pendant que l'appareil est sous tension et il indique que le disjoncteur de fuite à la terre fonctionne correctement.

BOUTON DE TEST/ARRÊT D'URGENCE

Pour tester le disjoncteur de fuite à la terre, appuyez sur ce bouton. Le voyant lumineux s'éteindra et le grill sera mis hors tension. Il est conseillé de tester le disjoncteur de fuite à la terre tous les mois.

BOUTON DE RÉINITIALISATION

Pour réinitialiser le disjoncteur de fuite à la terre à son fonctionnement normal, appuyez sur ce bouton. Le voyant lumineux s'allumera et le grill sera mis sous tension. Si le voyant lumineux ne s'allume pas, cela signifie que le disjoncteur de fuite à la terre a détecté un dysfonctionnement. Débranchez le disjoncteur de fuite à la terre depuis la prise de courant et n'utilisez pas le grill.

FICHE MISE À LA TERRE À TROIS BROCHES

ATTENTION :

Pour assurer une protection continue contre les risques d'électrocution, le disjoncteur de fuite à la terre doit être branché dans une prise de courant correctement mise à la terre.

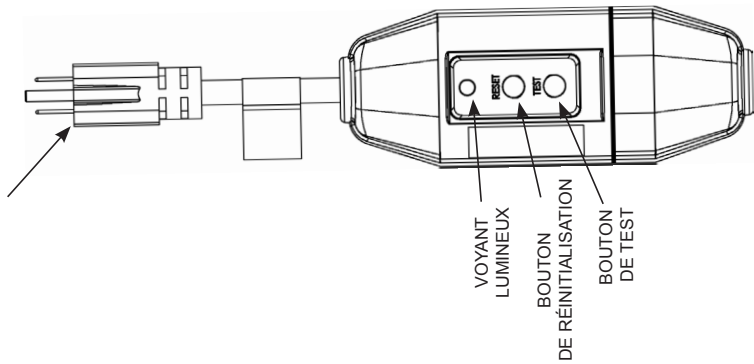
NE PAS UTILISER DE RALLONGE

MODÈLES DE 240 V

CIRCUIT DE FUITE À LA TERRE

Le circuit d'alimentation électrique (240 V) devrait être muni d'un interrupteur de fuite à la terre. Vérifiez la conformité aux codes locaux.

FICHE MISE À LA TERRE À TROIS BROCHES



DISJONCTEUR DE FUITE À LA TERRE GFCI

Fig. 5

Pièces du grill

ÉLÉMENT CHAUFFANT

L'élément chauffant est conçu de sorte à pouvoir pivoter, tel qu'illustré, afin de permettre de retirer/remplacer le plateau déflecteur et le plateau d'égouttage. Il restera en position haute. Pour l'abaisser, poussez-le doucement vers le bas.

PLATEAU DÉFLECTEUR

Le plateau déflecteur supporte le plateau d'égouttage, l'élément chauffant et la grille, et il doit être utilisé à chaque fois que vous faites fonctionner le grill.

PLATEAU D'ÉGOUTTAGE

Le plateau d'égouttage jetable ramasse tout le gras et le jus produit lors de la cuisson. Le plateau d'égouttage doit être vidé après chaque utilisation. Lorsque vous remplacez le plateau d'égouttage, placez-le de sorte à ce qu'il soit complètement à l'intérieur du plateau déflecteur et assurez-vous que les côtés ou le bord du plateau d'égouttage ne dépassent pas du plateau déflecteur. (voir Fig. 6)

Pour éviter que les accumulations dans le plateau d'égouttage ne produisent de la fumée, versez 1 tasse d'eau (ou une quantité suffisante pour recouvrir le fond du plateau) dans le plateau d'égouttage avant d'entreprendre la cuisson. Le numéro d'article de la pièce de remplacement du plateau d'égouttage est B96001.

GRILLE

La grille doit être nettoyée après chaque utilisation. La grille est recouverte d'un revêtement antiadhésif pour faciliter le nettoyage. Lavez la grille après chaque utilisation avec de l'eau chaude et savonneuse.

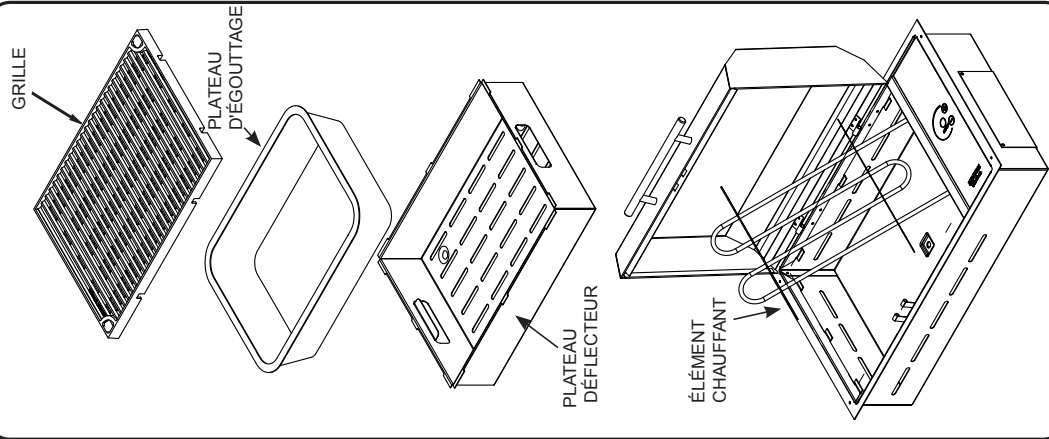


Fig. 6

LE PLATEAU D'ÉGOUTTAGE DOIT ÊTRE PLACÉ À L'INTÉRIEUR DU PLATEAU DÉFLECTEUR TEL QU'ILLUSTRÉ

Démontage du couvercle

D É M O N T A G E D U C O U V E R C L E

Le couvercle du grill peut être démonté et lavé. Pour retirer le couvercle, faites glisser la goupille de démontage rapide à l'extérieur de la charnière.
(voir Fig. 7)

Après avoir dégagé la goupille de démontage rapide, saisissez le couvercle, soulevez-le du côté gauche pour dégager la charnière et faites-le glisser vers la gauche jusqu'à ce qu'il soit dégagé de la charnière à droite.
(voir Fig. 8) Une fois le couvercle retiré, vous pouvez le laver avec de l'eau chaude et savonneuse.

Fig. 7

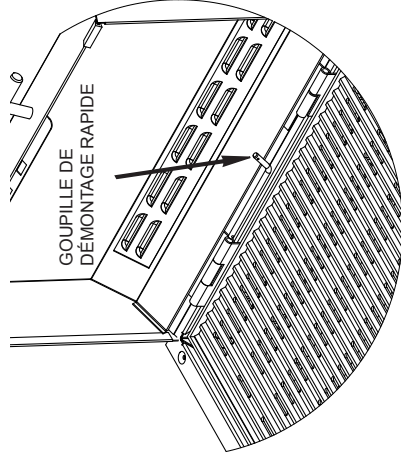
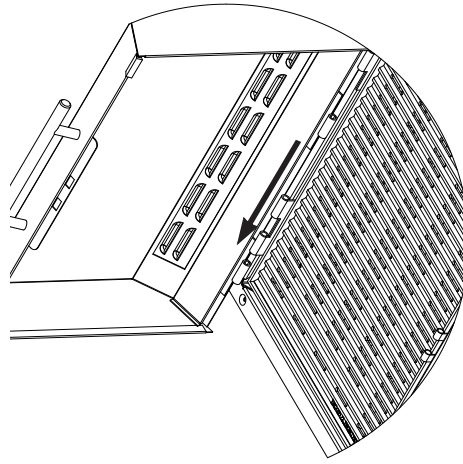


Fig. 8



Garantie

Kenyon International, Inc. (la « Société ») garantit que ses produits, dans des conditions d'utilisation normale, sont exempts de tout défaut de matériau et de fabrication, sous réserve des conditions et limitations ci-dessous. Toute pièce s'avérant défectueuse dans des conditions d'utilisation normales pendant la période de garantie sera réparée ou remplacée par la Société.

La présente garantie s'applique à tous les produits fabriqués par la Société et est assujettie aux conditions et limitations suivantes.

1. La responsabilité de la Société se limitera à la réparation ou au remplacement (action corrective à la discrétion de la Société) des biens ou pièces dont les matériaux ou la fabrication s'avèrent défectueux. Cette responsabilité est limitée à trois ans suivant la date d'installation d'origine ou à 42 mois suivant la date de la facture, selon la première de ces deux dates ; la présente garantie couvre les pièces et la main-d'œuvre à un taux professionnel approuvé par la Société de 75 \$ par heure.
 2. L'adéquation du produit pour l'usage envisagé par l'acheteur relève entièrement de la responsabilité de l'acheteur et la Société ne sera tenue aucunement responsable de cette décision.
 3. La Société ne sera tenue responsable d'aucun dommage découlant de :
 - défaillances causées par l'utilisation du produit dans des applications pour lesquelles il n'a pas été prévu
 - défaillances causées par la corrosion, l'usure, une utilisation abusive ou un montage ou entretien inadéquat
 4. La Société sera responsable des frais d'expédition de retour par voie terrestre jusqu'au propriétaire de l'appareil dans les limites du continent nord-américain (États-Unis et Canada). Tous les autres frais de taxes, de service express ou de livraison spéciale seront facturés à l'acheteur.
 5. Tous travaux autorisés par la Société aux termes de la présente garantie doivent être effectués par le personnel d'un centre de service international Kenyon autorisé à moins d'indication écrite contraire de la Société.
 6. La présente garantie ne couvre pas le coût de réparation ou de remplacement des surfaces vitrées, des grilles de cuisson et des plaques de cuisson.
- AUCUNE AUTRE GARANTIE DE QUALITÉ MARCHANDE, DE CONFORMITÉ AUX BESOINS OU DE TOUT AUTRE TYPE, EXPRESSE OU TACITE, N'EST DONNÉE ET NE SERA PRÉSUMÉE COMME ÉTANT CONFÉRÉE PAR LA LOI. La durée des garanties conférées néanmoins par la loi pour protéger les consommateurs sera limitée à une durée de trois ans à compter de la date d'achat originale par l'utilisateur. Certains pays ne permettent pas les limitations de durée des garanties implicites, par conséquent il est possible que la présente restriction ne s'applique pas dans votre cas.
- LA SOCIÉTÉ NE POURRA ÊTRE TENUE RESPONSABLE DE TOUT DOMMAGE DE CONSÉQUENCE OU D'INCIDENCE RESULTANT D'UNE VIOLATION DE GARANTIE, QU'IL SOIT EXPLICITE, IMPLICITE OU STATUTAIRE. Certains pays, États ou provinces ne permettent pas l'exclusion ou la limitation de dommages consécutifs ou indirects, ce qui signifie qu'il est possible que la présente limitation ne s'applique pas dans votre cas.
- LA PRÉSENTE GARANTIE VOUS CONFÈRE DES DROITS LÉGAUX PRÉCIS ET IL EST POSSIBLE QUE VOUS BÉNÉFICIEZ D'AUTRES DROITS LÉGAUX POUVANT VARIER ENTRE LES DIFFÉRENTS PAYS, ÉTATS OU PROVINCES.

Kenyon International, Inc.
P.O. Box 925 • 8 Heritage Park Road • Clinton, CT 06413 USA
Téléphone : (860) 664-4906 Télécopieur : (860) 664-4907

SICHERHEITSHINWEISE

Bei der Benutzung elektrischer Geräte müssen grundlegende Sicherheitsmaßnahmen einschließlich der im Folgenden aufgeführten stets befolgt werden:

1. Die Bedienungsanleitung vor der Inbetriebnahme des Produkts bitte VOLLSTÄNDIG lesen.
2. Heiße Oberfläche nicht berühren. Griffe oder Knäufe stets benutzen.
3. Zum Schutz vor einem elektrischen Schlag, Netzkabel oder Stecker nicht in Wasser oder andere Flüssigkeiten tauchen.
4. Geräte nur unter ständiger Aufsicht verwenden, wenn Kinder in der Nähe sind.
5. Netzstecker aus der Steckdose ziehen, wenn das Gerät nicht verwendet wird oder gereinigt werden soll. Abkühlen lassen, bevor Geräterteile aufgesetzt oder entfernt werden.
6. Gerät nicht benutzen, wenn Netzkabel oder -stecker beschädigt sind. Tritt eine Störung auf, die Benutzung des Geräts unterbrechen und den nächsten autorisierten Gerätehändler bzw. das Werk kontaktieren, um eine Überprüfung, Reparatur oder Justierung zu veranlassen.
7. Der Einsatz von Zubehör, das nicht durch den Gerätehersteller bereitgestellt wird, kann zu Verletzungen führen.
8. Wird das Gerät als tragbarer Grill verwendet, das Gerät nach der Benutzung immer im Haus lagern. Wird der Grill fest eingebaut, dann muss eine geeignete Vorrichtung zum Schutz vor Regen vorgesehen werden. Abdeckungen sind verfügbar.
9. Das Netzkabel darf nicht an der Kante des Tisches bzw. der Arbeitsplatte herunterhängen oder heiße Oberflächen berühren.
10. Nicht auf oder in die Nähe einer heißen Gas- oder Elektroherdplatte oder in einen erhitzten Ofen stellen.
11. Äußerste Vorsicht ist beim Bewegen eines Geräts geboten, das heißes Fett oder sonstige heiße Flüssigkeiten enthält.
12. Das Netzkabel immer zuerst ans Gerät anschließen und anschließend in die Steckdose einstecken. Zum Ausschalten des Geräts alle Bedienelemente ausschalten („OFF“) und anschließend den Netzstecker aus der Steckdose ziehen.
13. Das Gerät ausschließlich für den dafür vorgesehenen Zweck verwenden.
14. Vor dem Grillen immer mindestens eine (1) Tasse Wasser in die austauschbare Auffangwanne geben.
15. Kinder niemals unbeaufsichtigt lassen. Kinder niemals ohne Aufsicht in der Nähe des Grills lassen.
16. Den Grill abkühlen lassen, bevor Roste, die austauschbare Wanne oder der Deckel entfernt werden.
17. Keine Zündmittel wie Holzkohlebriketts für dieses Gerät verwenden.
18. Der Grill muss gemäß der Anleitung montiert und eingebaut und durch einen qualifizierten Elektriker ordnungsgemäß geerdet werden.
19. Bestandteile des Grills nicht eigenmächtig austauschen oder reparieren, wenn in dieser Bedienungsanleitung nicht ausdrücklich darauf hingewiesen wird.
- Alle anderen Wartungs- und Reparaturarbeiten müssen durch vom Hersteller autorisierte Techniker durchgeführt werden.
20. Fettbrände nicht mit Wasser, sondern mit einen chemischen Trockenpulverlöscher löschen.
21. Entzündliche Materialien nicht in der Nähe des Grills aufbewahren.
22. Bei der Benutzung des Grills keine weite oder hängende Kleidung tragen.

**VOR DER MONTAGE UND VERWENDUNG DES GERÄTS
DIESE ANLEITUNG BITTE VOLLSTÄNDIG DURCHLESEN.
DIESE ANLEITUNG BITTE AUFBEWAHREN**

KURZANLEITUNG FÜR DEN GRILL

QUICK START TIPS

Thank you for purchasing the World's Finest All Seasons® Electric Grill! There are a few simple steps you can take to ensure your good decision will lead to years of World-class grilling:

VISIT OUR WEBSITE
to purchase recipe books, cooking utensils, griddles, grill covers, and more!

1. Remove particles and dirt from grill's catch bin.
2. Insert the table (only on the bottom of grill). Make sure the burner brackets are not resting on the table top.
3. Always fill the tray in with 16 oz. of liquid. Make sure you use only 16 oz. of water or white distilled vinegar for your "Always Full" burner. Turn on "Always Full" setting.
4. Depending on model, either make sure your Kenyon® Base™ Grill fits snugly into its holder, or use the instructions.
5. Press the grill for 10s to remove any light (if any). Adjust time setting for type of food.
6. Turn on the grill. Enjoy the best of both worlds: your Kenyon® Grill and your Kenyon® Base™.
7. Once your grilling session is complete, grill will power down and shutdown your grill. The "Always Full" setting will turn off by itself. Turn off the grill if it is not ready for the next time of day!
8. Wash the grill in the tank, then freeze it down and then do dry contents. You don't want your previous foods to flavor your next meal.

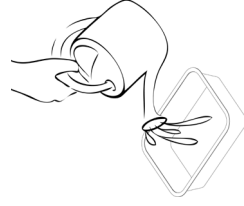
www.cookwithkenyon.com | 860.884.4906

REMOVE & READ PRIOR TO GRILLING

**OBIGE BEILAGE BEFINDET SICH UNTER
DEM DECKELS IHRES GRILLS.
DIE BEILAGE BITTE LESEN UND
ENFERNEN,
BEVOR DER GRILL BENUTZT WIRD.**

1. Vor der Benutzung des Grills den Rost und die Auffangwanne vom Grill entfernen. Den Grill mit warmem Seifenwasser und einem nicht scheuernden Spültuch waschen. ZUM GRILLEN AUSSCHLIESSLICH GRILLBESTECK AUS HITZEBESTÄNDIGEM KUNSTSTOFF VERWENDEN. Hochwertiges Grillbesteck aus Edelstahl oder hitzebeständigem Kunststoff kann auf unserer Website bestellt werden: www.cookwithkenyon.com.

2. Die Auffangwanne muss vollständig in den Grill eingesetzt werden und die elektrischen Heizelemente müssen richtig auf den Haltern für das Element aufliegen.



3. Den Boden der Auffangwanne mit Flüssigkeit bedecken. Wasser ist eine geeignete Flüssigkeit. UNTER KEINEN UMSTÄNDEN EINE BRENNBARE FLÜSSIGKEIT VERWENDEN! Das würde das Grillergebnis ruinieren. Beim Grillen von Schweinefleisch kann das Fleischaroma durch die Verwendung von Apfelsaft verfeinert werden. Eine Dose Lemon Soda eignet sich zum Verfeinern von gegrilltem Fisch. Jedes Getränk kann als Flüssigkeit verwendet werden. **Bitte beachten: Vor dem Grillen immer Flüssigkeit in die Auffangwanne geben.**

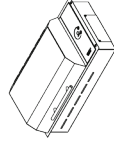




4. Um Rauchbildung zu vermeiden, die Grilloberfläche stets nach der Benutzung reinigen. Einfach mit warmem Seifenwasser und einem nicht scheuernden Spültuch waschen oder in der Spülmaschine reinigen. Die Auffangwanne ausleeren und mit einem feuchten Papierküchentuch abwischen. Die Auffangwanne kann mehrmals benutzt werden, bevor sie ausgetauscht werden muss.
5. Den Rost oder das optionale Grillblech (Artikel-Nr. B96000) bei eingesetzter Auffangwanne auf das Element setzen. Das Blech für die Zubereitung von Eiern, Pfannkuchen oder dem beliebten French Toast verwenden.
6. Grill für 5 bis 9 Minuten auf höchster Stufe (8 Leuchtbalen) vorheizen. Entsprechend der zuzubereitenden Speise die Heizeinstellung auswählen.
 - Steak 7–8 Leuchtbalen
 - Hamburger 6–7 Leuchtbalen
 - Schweinefleisch und Fisch 4–5 Leuchtbalen
 - Gemüse 3–4 Leuchtbalen
7. Den Deckel schließen und Speisen kochen lassen. Jetzt das beste gegrillte Essen aller Zeiten genießen!
8. Den Grill reinigen. Die Reinigung ist äußerst einfach und wird im Folgenden erklärt. Nachdem der Grill abgekühlt ist und gefahrlos berührt werden kann, einige Papierküchentücher auf die Grilloberfläche legen. Jetzt ca. zwei Esslöffel Wasser auf ein Tuch geben und anschließend mithilfe der hitzebeständigen Kunststoff-Grillzange das Papier hin- und herschieben, um Grillreste zu lösen. Das Papierküchentuch wegwerfen und den Rost mit einem trockenen Papertuch abwischen.
9. Sobald der Rost ausreichend abgekühlt ist, den Rost abnehmen und in der Spülmaschine gründlich reinigen.
10. Ist der Rost entfernt, das elektrische Heizelement anheben und die Auffangwanne entfernen. Den Inhalt der Auffangwanne ordnungsgemäß entleeren; der Nachbargarten ist kein geeigneter Entsorgungsort. Die Wanne mit einem trockenen Papierküchentuch auswischen und wiederverwenden. Die Wanne kann mehrmals verwendet werden.
11. Der Deckel sollte nach jeder siebten oder achten Benutzung gereinigt werden. Der Deckel kann in der Spülmaschine im Programm für Töpfe und Pfannen gereinigt werden. So sieht der Grill wieder wie neu aus.
12. Um den Grill zu reinigen, muss die Oberfläche zunächst abgekühlt sein und gefahrlos berührt werden können. Nun den Rost entfernen, das elektrische Heizelement anheben, bis es in der senkrechten Stellung einrastet, und die Auffangwanne herausheben.
13. Die Edelstahl-Oberfläche mit einem feuchten Tuch abwischen, um Grillreste zu entfernen.
14. Der Kenyon-Grill wird mit einer Probierflasche Edelstahl-Reinigungsmittel geliefert. Das Reinigungsmittel einmal im Monat verwenden, damit der Grill immer wie neu aussieht.
15. Das Glaskeramikbedienfeld für die Sensortastenbedienung (Touch Control) ist vollständig vor Umwelteinflüssen wie Regen, Schnee und Frost geschützt. Für die Reinigung einen Glasreiniger und ein weiches Tuch verwenden. Flecken können mithilfe eines handelsüblichen Glaskeramikreinigers aus dem Supermarkt entfernt werden.



PRODUKTSPEZIFIKATION



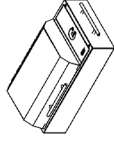
Frontier

Modell B70050 - UL - 120 V AC - 1300 WATT - 11 AMPERE
Modell B70051 - 240 V AC - 1300 WATT - 6 AMPERE

Gesamtabmessungen: 533 mm x 305 mm x 102 mm (21 Zoll x 12 Zoll x 4 Zoll)
(187 mm (7 3/8 Zoll) mit Deckel)

Tiefe ohne Abflussarmatur

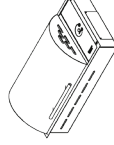
Ausschnittmaße: 501,6 mm x 296 mm (19 3/4 Zoll x 11 5/8 Zoll)
mit 6-mm (1/4 Zoll) Radius-Ecken



Tragbare Ausführung

Modell B70090 - UL - 120 V AC - 1300 WATT - 11 AMPERE

Gesamtabmessungen: 533 mm x 305 mm x 219 mm
(21 Zoll x 12 Zoll x 8 5/8 Zoll)



Floridian

Modell B70080 - UL - 120 V AC - 1300 WATT - 11 AMPERE
Modell B70081 - 240 V AC - 1300 WATT - 6 AMPERE

Gesamtabmessungen: 533 mm x 305 mm x 102 mm (21 Zoll x 12 Zoll x 4 Zoll)
(206 mm (8 1/8 Zoll) mit Deckel)

Tiefe ohne Abflussarmatur

Ausschnittmaße: 501,6 mm x 296 mm (19 3/4 Zoll x 11 5/8 Zoll)
mit 6-mm (1/4 Zoll)-Radius-Ecken



Tragbare Ausführung

Modell B70082 - UL - 120 V AC - 1300 WATT - 11 AMPERE

Gesamtabmessungen: 533 mm x 305 mm x 238 mm
(21 Zoll x 12 Zoll x 9 3/8 Zoll)



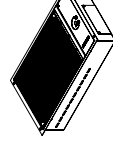
Rio

Modell B70085 - UL - 120 V AC - 1300 WATT - 11 AMPERE
Modell B70086 - 240 V AC - 1300 WATT - 6 AMPERE

Gesamtabmessungen: 584 mm x 397 mm x 102 mm (23 Zoll x 15 5/8 Zoll x 4 Zoll)
(206 mm (8 1/8 Zoll) mit Deckel)

Tiefe ohne Abflussarmatur

Ausschnittmaße: 501,6 mm x 296 mm (19 3/4 Zoll x 11 5/8 Zoll)
mit 6 mm (1/4 Zoll)-Radius-Ecken



No Lid

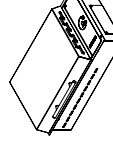
Modell B70060 - UL - 120 V AC - 1300 WATT - 11 AMPERE
Modell B70061 - UL - 240 V AC - 1300 WATT - 6 AMPERE
Modell B70062 - UL - 120 V AC - 1300 WATT - 11 AMPERE
Modell B70067 - 240 V AC - 1300 WATT - 6 AMPERE

Gesamtabmessungen: 533 mm x 305 mm x 102 mm (21 Zoll x 12 Zoll x 4 Zoll)
Tiefe ohne Abflussarmatur

Ausschnittmaße: 501,6 mm x 296 mm (19 3/4 Zoll x 11 5/8 Zoll)
mit 6-mm (1/4 Zoll)-Radius-Ecken

Half Height Lid

Modell B70056 - UL - 120 V AC - 1300 WATT - 11 AMPERE
Modell B70057 - 240 V AC - 1300 WATT - 6 AMPERE



Gesamtabmessungen: 533 mm x 305 mm x 102 mm (21 Zoll x 12 Zoll x 4 Zoll)
(189 mm (6 1/4 Zoll) mit Deckel)

Tiefe ohne Abflussarmatur

Ausschnittmaße: 501,6 mm x 296 mm (19 3/4 Zoll x 11 5/8 Zoll)
mit 6-mm (1/4 Zoll)-Radius-Ecken

MONTAGEANLEITUNG

Lieferumfang

Der All Seasons® Grill wird montiert und gebrauchsfertig geliefert. Vor dem Gebrauch die Seriennummer des Geräts hier eintragen und aufbewahren: _____.
Die Seriennummer befindet sich an der schmalen Seite des Grills am Ende mit dem Glasbedienfeld. Die Seriennummer besteht aus sechs Ziffern.

Im Lieferumfang enthalten sind: All Seasons® Grill, vier (4) Befestigungsschrauben, 91 cm (drei (3) Fuß) langer Abflussschlauch, Winkelanschluss oder Ablassschraube (abhängig von Ausführung: tragbar oder fest eingebaut), Bedienungsanleitung und Edelstahl-Reinigungsmittel. Falls etwas fehlt oder beschädigt ist, wenden Sie sich bitte sofort telefonisch an KENYON.

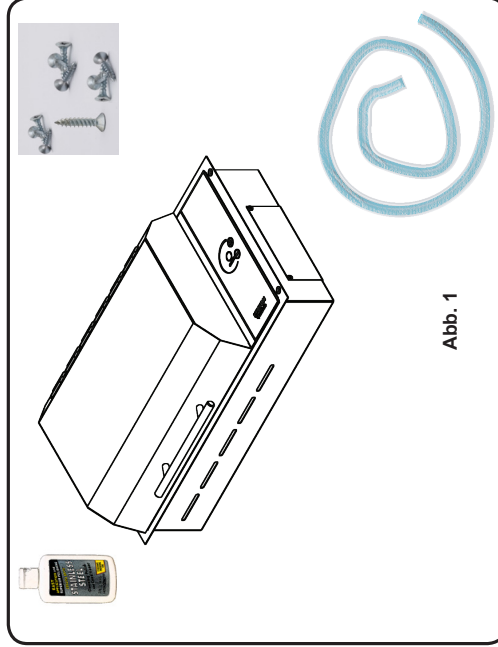


Abb. 1

Elektrische Anforderungen

Die Anforderungen an Elektroinstallationen beachten.

Die Installation dieses Produkts muss entsprechend den geltenden nationalen, landesweiten und örtlichen Vorschriften erfolgen. In der folgenden Tabelle sind die korrekten Spannungs-, Stromstärke- und Frequenzwerte aufgeführt, an die der Grill angeschlossen werden muss. Die Stromversorgung muss über einen separat geerdeten Stromkreis erfolgen, der durch einen Leitungsschutzschalter abgesichert und für die Spezifikationen der einzelnen Modelle, wie in der folgenden Tabelle angeführt, ausgelegt ist.

KENYON Artikel-Nr.	Max. Belastung	Stromversorgung	Steckertyp
B70050 B70056 B70060 B70062 B70080 B70082 B70085 B70090	1300 Watt	120 V AC 11 A 60 Hz	3-poliges geerdetes Kabel mit FI-Schutzschalter
B70051 B70057 B70061 B70081 B70067 B70086	1300 Watt	240 V AC 6 A 60 Hz	Dreidriges Kabel ohne Stecker

WARNUNG:

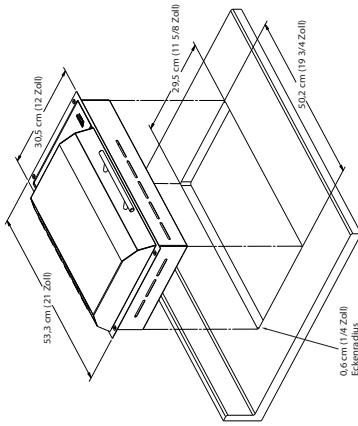
Wenn die elektrische Stromversorgung nicht mit den Produktspezifikationen übereinstimmt, einen qualifizierten Elektriker kontaktieren, bevor mit der Installation begonnen wird! Den FI-Schutzschalter unter keinen Umständen vom mitgelieferten Netzkabel entfernen.

Einbau in die Arbeitsplatte

Der All Seasons® Grill wird mit einem ab Werk angebrachten Flansch aus poliertem Edelstahl für vier Linsenholzschrauben geliefert. Der Rand-Flansch des Grills soll das Gerät fest in der Arbeitsplatte sichern. Auf Wunsch kann die Arbeitsplattenkante unter dem Rand-Flansch abgedichtet werden. Eine weiche Dichtungsmasse verwenden, um Schäden beim Ausbauen des Gerät zu einem späteren Zeitpunkt (z. B. zu Reparaturzwecken) zu vermeiden. Empfohlen wird eine nicht-klebende Dichtungsmasse (z. B. Kitt) **mit einer maximalen Stärke im komprimierten Zustand von 1,58 mm**. Silikon darf nur zur (optionalen) Abdichtung der Glaskante verwendet werden.

WARNUNG:

Zwischen der Grillunterseite und der brennbaren Oberfläche unter dem Grill – z. B. die obere Kante einer unter dem Grill eingebauten Schublade – muss ein Abstand von mindestens 5 cm (2 Zoll) bestehen bleiben (Abb. 3, Seite 12). Die Nichteinhaltung der ordnungsgemäßen Abstände und der Belüftung kann zu einem Brand führen.



Arbeitsplatten-AUSSCHNITTMASSE

GRILL B70050

Dieses Kapitel bitte durchlesen, bevor die Arbeitsplatte für den Grill ausgeschnitten wird.

Eine gute Vorausplanung für den Einbau des Grills ist sehr wichtig. Dabei die folgenden Abmessungen beachten (siehe Abb. 2).

- A** – Maximale Tiefe darüber hängender Schränke: 33 cm (13 Zoll)
- B** – Mindesthöhe der Arbeitsplatte über dem Fußboden: 91,4 cm (36 Zoll)
- C** – Die Mindestabmessungen der ebenen Arbeitsplatte, auf der der Grill platziert wird, müssen gleich groß oder größer sein als die Gesamtabmessungen des Grills (Gesamtabmessungen für den Grill auf Seite 8).
- D** – Mindestens 76,2 cm (30 Zoll) Zwischenraum zwischen der Oberkante des Grills und der Unterkante eines ungeschützten Holz- oder Metallschranks bzw. 61 cm (24 Zoll) Mindestzwischenraum, wenn die untere Fläche des Holz- oder Metallschranks durch mindestens 0,6 cm (1/4 Zoll) starke flammhemmende Pappe geschützt ist, die mindestens mit Nr. 28 MSG Stahlblech, 0,38 mm (0,015 Zoll) starkem Edelstahl, 0,61 mm (0,024 Zoll) starkem Aluminium oder 0,51 mm (0,020 Zoll) starkem Kupfer beschichtet ist.
- E** – Mindestens 10,2 cm (4 Zoll) Abstand zwischen der Spritzschutzkante der Arbeitsplatte und dem Grillrand (Gesamtabmessungen des Grills auf Seite 8). Mindestabstand von 3,8 cm (1,5 Zoll) zwischen der Vorderseite der Arbeitsplatte und dem Grill.

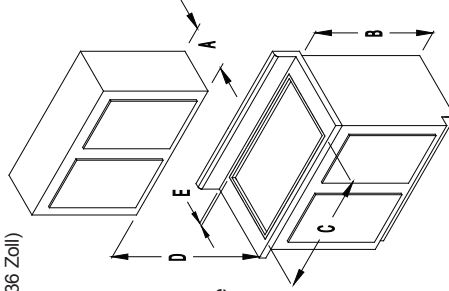


Abb. 2

MONTAGEHINWEISE FÜR KANADA „Den Grill nicht näher als 12 mm (1/2 Zoll) zu allen angrenzenden Flächen montieren“ und **NE PAS INSTALLER A'INDIS DE 12 MM (1,5 ZOLL) DETOUTE SURFACE ADJACENTE.**

WARNUNG:

Um die Gefahr von Verbrennungen durch das Greifen über den erhitzten Grill zu verringern, sollten oberhalb des Grills keine Aufbewahrungsschränke angebracht werden. Falls ein Aufbewahrungsschrank unvermeidlich ist, kann die Gefahr durch Anbringen einer Dunstabzugshaube, die horizontal mindestens 12,7 cm (5 Zoll) vom Boden der Schränke absteht, verringert werden.

Vor dem Ausschneiden der Arbeitsplatte die Abstände überprüfen. Vom Grill muss ein ausreichender Abstand zu den Vorder- und Seitenwänden des Unterschranks bestehen. Ebenfalls den Abstand zur Spritzschutzkante überprüfen, damit sich der Deckel vollständig öffnen lässt.

Unterhalb der Arbeitsplatte muss ausreichende Belüftung möglich sein, damit der Grill ordnungsgemäß funktioniert. Bei ungenügender Belüftung kann sich während des Betriebs durch die vom unteren Grillkasten abgegebene Wärme der Bereich um den Grill übermäßig erhitzen.

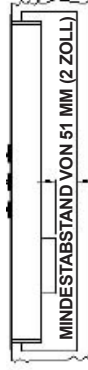


Abb. 3

Beim Ausschneiden der Arbeitsplatte schützen abgerundete Ecken vor Rissen im Arbeitsplatten-Material. Üblich ist ein Eckradius von ca. 6,35 mm (1/4 Zoll). Dennoch müssen die Anweisungen des Herstellers zum Mindestradius und allen erforderlichen verstärkenden Maßnahmen beachtet werden, um langfristige Schäden an der Arbeitsplatte zu vermeiden.

Besteht die Arbeitsplatte aus Mineralwerkstoff, dann müssen die spezifischen Empfehlungen zum Einbau des Grills in die Arbeitsplatte beim Hersteller eingeholt werden. Die meisten Hersteller von Mineralwerkstoff-Arbeitsplatten weisen darauf hin, dass zusätzliche verstärkende Maßnahmen für die Ecken erforderlich sind, um Schäden an der Arbeitsplatte zu vermeiden. Den Grill mit den mitgelieferten Schrauben an der Arbeitsplatte befestigen. Die Schrauben nicht zu sehr festziehen. Den Flansch an der Arbeitsplatte mit Acryl-Dichtmasse abdichten.

Besteht die Arbeitsplatte aus Stein, dann muss Acrylatex verwendet werden, um den Grill zu befestigen. An der Öffnung die Dichtmasse großzügig rundherum verteilen und den Grill einsetzen. Überschüssige Dichtmasse abwischen und den Rest mit Wasser beseitigen. Die Dichtmasse mindestens 24 Stunden lang trocknen lassen. Es darf keine Feuchtigkeit an die Dichtmasse gelangen. Nicht die mitgelieferten Schrauben verwenden. Der Grill wird durch die Dichtmasse sicher befestigt. Keine silikonbasierte Dichtmasse verwenden, da diese Flecken auf der Steinplatte verursacht.

Ablaufanschluss

Der Grill ist mit einem 3 mm (1/8-Zoll)-NPT-Messingrohranschluss und 90°-Winkelanschluss aus Messing ausgestattet, sodass der mitgelieferte flexible Schlauch mit einem Durchmesser von 6 mm (1/4 Zoll) angeschlossen werden kann. Diese tragbare Ausführung des Grills ist mit einer in den Ablaufanschluss eingebauten Messingrohrverschlusssschraube ausgestattet. Wird der Grill als tragbare Ausführung verwendet, dann sollten der Schlauch und der 90°-Winkelanschluss aus Messing für einen möglichen Einbau des Grills zu einem späteren Zeitpunkt aufgehoben werden.

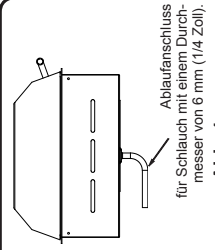
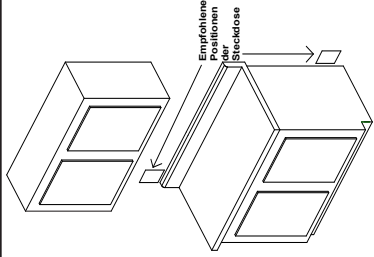


Abb. 4

Position der Steckdose

Die Steckdose, an die der Grill angeschlossen werden soll, sollte sich an einer gut zugänglichen Stelle befinden. So kann der Benutzer den Grill problemlos ein- und ausstecken. Dadurch wird die Sicherheit bei der Reinigung und Aufbewahrung des Grills sichergestellt.



Letzte Vorbereitungen vor der Inbetriebnahme

Die Schutzfolie vom Deckel, Rand-Flansch und dem Glasfeld abziehen. Den Grill vor dem erstmaligen Gebrauch reinigen. Eine gründliche Reinigung mit einem Edelstahl- oder Glaskeramik-Reinigungsmittel entfernt restliche Spuren des Folienklebers und produktionsbedingte Ölsuren.

Die antihafbeschichteten Roste vor der Benutzung des Grills mit warmem Seifenwasser spülen.

BEDIENUNG

LÖSCHEN SIE FETTBRÄNDE NIEMALS MIT WASSER
Das Feuer oder die Flamme ersticken oder einen chemischen Trockenfeuerlöscher oder Schaumfeuerlöscher verwenden.

AUSSCHLIESSLICH TROCKENE TOPFLAPPEN VERWENDEN

Feuchte oder nasse Topflappen können auf heißen Oberflächen zu Verbrennungen durch Wasserdampf führen. Topflappen dürfen nicht mit dem Rost oder Heizelement des Grills in Berührung kommen. Keine Handtücher oder dickeren Stoffe anstatt eines Topflappens verwenden.

NIEMALS AUF EINEM BESCHÄDIGTEN GRILLROST ODER -BLECH GRILLEN ODER KOCHEN
Sollte das Rost brechen, können Fette und Öle direkt mit dem elektrischen Heizelement in Berührung kommen, was zu einem elektrischen Schlag oder Feuer ausbruch führen könnte. Bei einem Schaden unverzüglich ein autorisiertes Service-Center oder den Kundendienst von KENYON unter (860) 664-4906 kontaktieren.

GRILL VORSICHTIG REINIGEN

Falls ein nasser Schwamm oder ein nasses Tuch verwendet wird, um Verschüttetes auf einer heißen Kochplatte zu entfernen, den Wasserdampf vermeiden, um keine Verbrennungen zu riskieren. Einige Reinigungsmittel erzeugen giftige Dämpfe, wenn sie mit einer heißen Oberfläche in Berührung kommen. Vor der Verwendung eines Reinigungsmittels das Etikett lesen.

HEIZELEMENT UND ROST NICHT BERÜHREN

Das Heizelement und der Rost bleiben nach der Benutzung des Grills für einige Zeit heiß. Diese Grillkomponenten sollten zunächst abkühlen und anschließend vorsichtig gereinigt werden, da sie unter Umständen noch heiß genug sind, um schwere Verbrennungen zu verursachen.

GRILL NACH JEDEM GEBRAUCH REINIGEN

Dieses Gerät verfügt über eine austauschbare Auffangwanne, die zum Reinigen entnommen werden kann. Diese Wanne **MUSS** nach JEDEM Gebrauch aus dem Grill entfernt und gereinigt werden. Es darf sich kein Fett über mehrere Benutzungen darin absetzen. Die Auffangwanne und der innere Grillkasten **MÜSSEN** beim Grillen immer verwendet werden. Gelangt überschüssiges Fett in das Innere des Grills, entrischt nicht nur die Gewährleistung, sondern es besteht auch Brandgefahr.

DEN GRILL BEI HOHEN HEIZEINSTELLUNGEN NIEMALS UNBEAUFICHTIGT LASSEN
Bei hohen Heizeinstellungen kann sich starker Rauch bilden und Fett entzünden.

DAS GERÄT NIEMALS MIT DRUCKWASSER REINIGEN

Den Grill niemals mit Druckwasser gleich weicher Art und von der Anleitung abweichenden Reinigungsutensilien reinigen. Das führt nicht nur zum Erlischen der Gewährleistung, sondern kann zudem einen elektrischen Schlag zur Folge haben. Den Grill immer mit einem Tuch und einem Edelstahl- oder Glaskeramik-Reiniger reinigen.

LAGERUNG

Wird das Gerät als tragbarer Grill verwendet, das Gerät nach der Benutzung immer im Haus lagern. Wird der Grill fest eingebaut, dann muss eine geeignete Vorrichtung zum Schutz vor Regen vorgesehen werden. Abdeckungen sind verfügbar.

RAUCHBILDUNG VERMEIDEN

Damit der Inhalt der Auffangwanne keine Rauchbildung verursacht, vor dem Grillen eine Tasse Wasser in die Auffangwanne geben (bzw. einfach den Boden der Wanne mit Flüssigkeit bedecken).

KEINE TÖPFE ODER SONSTIGES BACKZUBEHÖR AUF DEN GRILL STELLEN

DIESE ANLEITUNG ZUM SPÄTEREN NACHSCHLAGEN GEMEINSAM MIT DEM GRILL AUFBEWAHREN.

Sensortastenbedienung (Touch Control)

BETRIEBSANZEIGE

Diese Anzeige zeigt an, ob der Grill ein- oder ausgeschaltet ist.

LEISTUNGSSTUFEN-ANZEIGE

Die digitale Anzeige zeigt die Heizleistung des Grills an. Die Anzeigelämpchen sind entlang des bogenförmigen Symbols angeordnet. Es gibt acht verschiedene Heizstufen.

(+) LEISTUNG-ERHÖHEN-SENSOR

Durch Berühren dieser Sensortaste wird die Heizleistung des Grills um eine Stufe erhöht.

(-) LEISTUNG-SENKEN-SENSOR

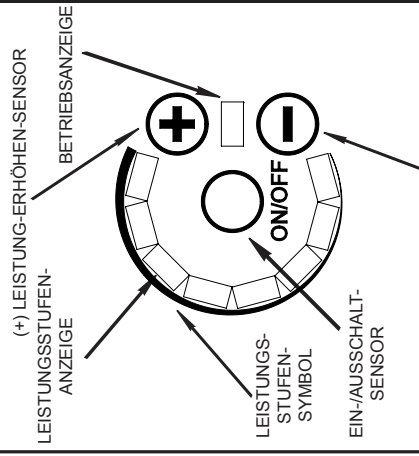
Durch Berühren dieser Sensortaste wird die Heizleistung des Grills um eine Stufe gesenkt.

LEISTUNGSSTUFENSYMBOL

Zeigt die Heizleistungsstufe des Heizelements an. Die bogenförmige Linie wird mit zunehmender Leistung immer dicker.

EIN-/AUSSCHALT-SENSOR

Dies ist die Ein-/Ausschalttaste des Grills. Wird diese Sensortaste im ausgeschalteten Zustand berührt, dann wird das Bedienfeld aktiviert und der Grill eingeschaltet. Wird diese Sensortaste im eingeschalteten Zustand berührt, dann wird der Grill ausgeschaltet.

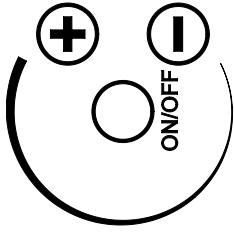


(-) LEISTUNG-SENKEN-SENSOR

BEDIENELEMENTE

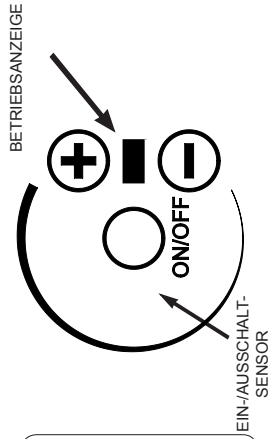
KALIBRIERUNG

Das Bedienfeld startet beim Einschalten des Grills einen Selbstkalibrierungsprozess. Das Bedienfeld gibt einen Bestätigungston ab und die Anzeige leuchtet kurz auf. Der Grill ist nun betriebsbereit.



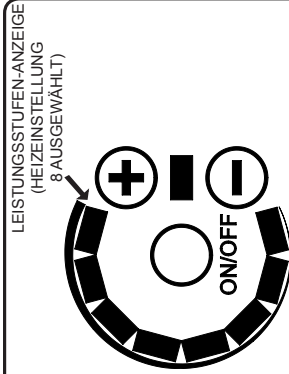
GRILL EINSCHALTEN

Um den Grill einzuschalten, die Ein-/Ausschalt-Sensortaste zwei Sekunden lang berühren. Das Bedienfeld gibt einen Bestätigungston ab und die Betriebsanzeige leuchtet auf.



HEIZEINSTELLUNGEN

Der KENYON-Grill verfügt über 8 verschiedene Heizeinstellungen (Heizstufe 1 bis 8), die mithilfe der Sensortasten (+) und (-) ausgewählt werden können. Die Heizeinstellung wird, wie rechts abgebildet, angezeigt. Das Heizelement durchläuft in verschiedenen Zeitintervallen einen Zyklus, um die Heizstufe zu ändern. Beim Erhöhen der Einstellung bleibt das Heizelement für eine längere Periode eingeschaltet, sodass sich die Grilltemperatur erhöht.



GRILL AUSSCHALTEN

Um den Grill auszuschalten, einfach die Ein-/Ausschalt-Sensortaste berühren und zwei Sekunden lang gedrückt halten. Das Bedienfeld wird spannungslos geschaltet und das Heizelement ausgeschaltet.

IM NOTFALL KANN DER 120-V-GRILL DURCH DAS DRÜCKEN DER TEST-TASTE DES FI-SCHUTZSCHALTERS AUSGESCHALTET WERDEN. SIEHE ABB. 5.

AUTOMATISCHE AUSSCHALT-FUNKTION

Die elektronische Steuerung des KENYON-Grills wurde für maximale Sicherheit programmiert und verfügt über eine automatische Ausschalt-Funktion. Der Grill ist darauf programmiert, sich nach dem Einschalten nach einer bestimmten Zeit auszuschalten (siehe folgende Tabelle). Die Steuerung schaltet den Grill zudem beim Erreichen einer vorbestimmten Temperaturgrenze aus. Wenn dies passiert, den Grill 20 bis 30 Minuten abkühlen lassen.

ZEITWERTE FÜR VORHEIZEN UND AUTOMATISCHES AUSSCHALTEN

Die Grillsteuerung verfügt über eine Vorheizfunktion, bei der der Grill auf jeder Leistungsstufe für einen bestimmten Zeitraum mit voller Leistung arbeitet. Diese Vorheizfunktion heizt den Rest/ das Blech schneller auf die gewünschte Temperatur auf, sodass schneller mit dem Grillen begonnen werden kann. In der folgenden Tabelle sind die Zeitwerte für das Vorheizen und die automatische Ausschalt-Funktion für jede Leistungsstufe aufgeführt.

HEIZSTUFE	VORHEIZ-ZEIT (Min.)	AUT. AUSSCHALT-ZEIT (Min.)
1	1	90
2	3	90
3	5	90
4	5	60
5	7	60
6	7	60
7	7	60
8	8	60

ORIENTIERUNGSHILFE ZUR TEMPERATUR

Die folgenden Angaben sollen lediglich als Orientierungshilfe dienen. Faktoren wie Windbedingungen, Außentemperatur und Lebensmitteltemperatur zu Beginn des Grillens können die Zuberbeitungszeiten beeinflussen. Der Grill wurde für eine optimale Kochleistung bei (fast) geschlossenem Deckel entwickelt und konstruiert.

HEIZSTUFE	LEBENSMITTEL UND SPEISEN
1	Spiegeleier auf dem Blech
2	Pfannkuchen / French Toast auf dem Blech
3	Gemüse
4	Gemüse / Fisch
5	Fisch / Hähnchen
6	Hähnchen / Hamburger
7	Hamburger / Steaks
8	Steaks

Netz-kabel

AUSSCHLIESSLICH FÜR 120-V-MODELLE FEHLERSTROMSCHUTZSCHALTER (FI-SCHUTZSCHALTER)

Der FI-Schutzschalter ist eine Sicherheitsvorrichtung zum Schutz vor Stromunfällen.

KONTROLL-LEUCHE

Die Kontroll-Leuchte leuchtet, während das Gerät mit Strom versorgt wird und zeigt an, dass der FI-Schutzschalter ordnungsgemäß funktioniert.

TEST-/NOTAUSCHALT-TASTE

Durch Drücken dieser Taste wird der FI-Schutzschalter getestet. Die Kontroll-Leuchte schaltet sich aus und die Stromversorgung zum Grill wird unterbrochen. Der FI-Schutzschalter sollte monatlich getestet werden.

RESET-TASTE

Durch Drücken dieser Taste nimmt der FI-Schutzschalter wieder seine normale Funktion auf. Die Kontroll-Leuchte leuchtet auf und der Grill wird wieder mit Strom versorgt. Leuchtet die Kontroll-Leuchte nicht auf, dann wurde durch den FI-Schutzschalter eine Störung entdeckt. Den FI-Schutzschalter aus der Steckdose ausstecken und den Grill nicht benutzen.

3-POLIGER GEERDETER STECKER

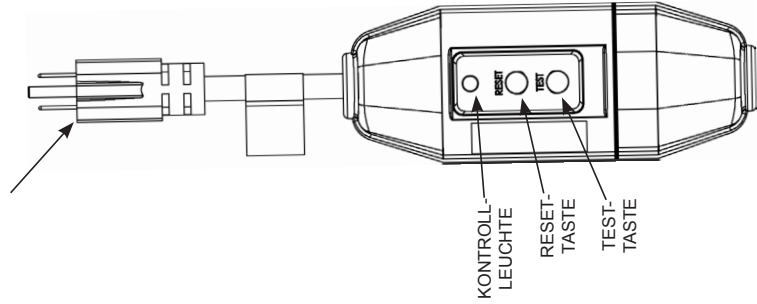
VORSICHT: Damit ein durchgehender Schutz vor Stromunfällen besteht, muss der FI-Schutzschalter in eine ordnungsgemäß geerdete Steckdose eingesteckt sein.

KEIN VERLÄNGERUNGSKABEL VERWENDEN.

FEHLERSTROMSCHUTZ FÜR 240-V-MODELLE

Der Stromkreis bei einer Netzspannung von 240 V sollte mit einem Fehlerstromschutzschalter ausgestattet sein. Bitte die Bestimmungen vor Ort prüfen, um die Einhaltung der Vorschriften zu gewährleisten.

3-POLIGER GEERDETER STECKER



FEHLERSTROMSCHUTZSCHALTER (FI-SCHUTZSCHALTER)

Abb. 5

Bestandteile des Grills

HEIZELEMENT

Die Konstruktion des Heizelements ermöglicht es, das Element wie in der Abbildung durch Anheben zu drehen, um den inneren Grillkasten und die Auffangwanne entnehmen/austauschen zu können. Es rastet in einer senkrechten Stellung ein. Um es in die Ausgangsstellung zu bringen, leichten Druck ausüben.

INNERER GRILLKASTEN

Der innere Grillkasten ist der Träger für die Auffangwanne, das Heizelement und den Rost und muss beim Grillen immer verwendet werden.

AUFFANGWANNE

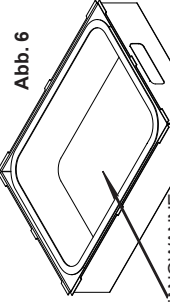
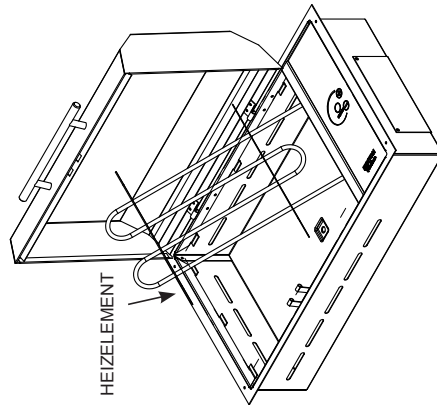
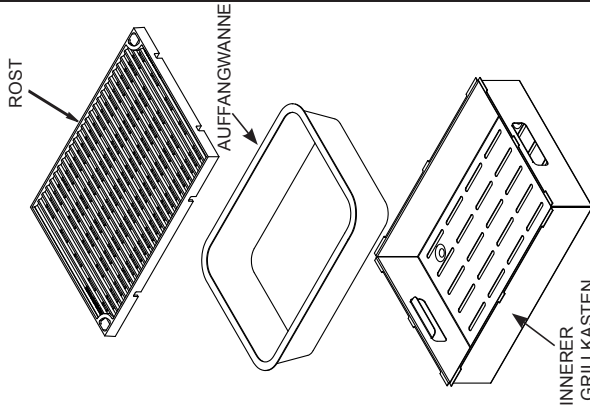
Die austauschbare Auffangwanne fängt Fetts und Flüssigkeiten auf, die beim Grillen und Kochen entstehen. Die Auffangwanne muss nach jedem Gebrauch ausgeleert werden. Beim Wiedereinsetzen darauf achten, dass die Auffangwanne vollständig in den inneren Grillkasten eingesetzt wird und ihre Ränder nicht über die Kastenwände herausragen (siehe Abb. 6).

Damit der Inhalt der Auffangwanne keine Rauchbildung verursacht, vor dem Grillen eine Tasse Wasser in die Auffangwanne geben (bzw. einfach den Boden der Wanne mit Flüssigkeit bedecken).

Die Kenyon-Artikel-Nr. zum Bestellen einer Ersatz-Auffangwanne lautet B96001.

ROST

Der Rost muss nach jedem Gebrauch gereinigt werden. Seine Antihafbeschichtung erleichtert die Reinigung. Den Rost nach jedem Gebrauch in warmem Seifenwasser reinigen.



DIE AUFFANGWANNE MUSS, WIE ABGEBILDET, KORREKT IN DEN INNEREN GRILLKASTEN EINGESETZT WERDEN.

Abb. 6

Deckel entfernen

DECKEL ENTFERNEN

Der Grilldeckel lässt sich für die Reinigung entfernen. Um den Deckel abzunehmen, einfach den Stift aus dem Scharnier ziehen. (siehe Abb. 7).

Erst wenn der Stift entfernt wurde, den Deckel auf der linken Seite anheben, um das Scharnier zu lösen und nach links schieben, bis sich der Deckel vom rechten Scharnierstift gelöst hat (siehe Abb. 8). Sobald der Deckel entfernt wurde, kann er in warmem Seifenwasser gereinigt werden.

Abb. 7

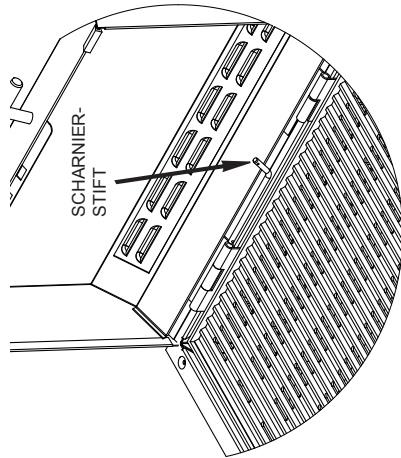
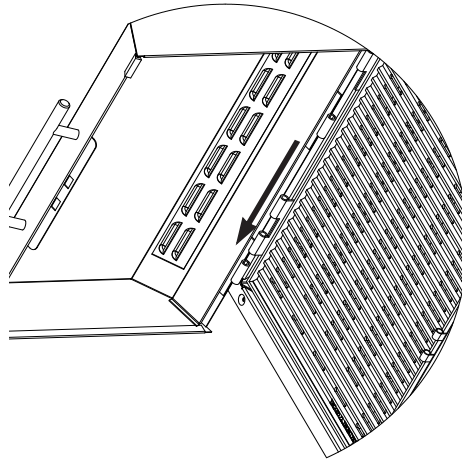


Abb. 8



Gewährleistung

Kenyon International Inc. (das „Unternehmen“) garantiert, dass seine Produkte bei normalem Gebrauch frei von Mängeln in Bezug auf Material und Verarbeitung sind. Die Gewährleistung unterliegt den unten angeführten Bedingungen und Einschränkungen. Jedes Teil, das sich bei normaler Verwendung während des Gewährleistungszeitraums als defekt erweist, wird vom Unternehmen repariert oder ersetzt.

Diese Gewährleistung gilt für bestimmte vom Unternehmen gefertigte Produkte und unterliegt folgenden Bedingungen und Einschränkungen:

1. Die Haftung des Unternehmens beschränkt sich auf Reparatur oder Ersatz (die Wahl der Maßnahme obliegt dem Unternehmen) der Produkte oder Teile, die Material- oder Verarbeitungsfehler aufweisen. Diese Haftung gilt für drei Jahre, beginnend mit dem Datum des ersten Einbaus, oder 42 Monate ab dem Rechnungsdatum, je nachdem, was zuerst eintritt. Die Gewährleistung deckt die Teile sowie Arbeitszeitkosten in der vom Unternehmen genehmigten Höhe von 75 US-Dollar pro Stunde ab.
2. Die Entscheidung über die Eignung des Produkts für den vom Käufer beabsichtigten Zweck liegt in der alleinigen Verantwortung des Käufers. Das Unternehmen übernimmt im Zusammenhang mit dieser Eignung keine Haftung.
3. Das Unternehmen kann für folgende Schäden nicht haftbar gemacht werden:
 - Fehler oder Störungen aufgrund einer Verwendung des Produkts, für die es nicht bestimmt ist;
 - Fehler oder Störungen aufgrund von Korrosion, Verschleiß, Missbrauch oder falscher Installation oder Wartung.
4. Das Unternehmen übernimmt die Kosten für den Versand auf dem Landweg bis zum Einsatzort des Geräts (Heim) auf dem Festland der Vereinigten Staaten und in Kanada. Alle weiteren Kosten – Expressversand, Sonderversandgebühren – gehen zu Lasten des Käufers.
5. Alle vom Unternehmen unter dieser Gewährleistung genehmigten Arbeiten müssen, sofern nicht anders vom Unternehmen angegeben, von einem autorisierten Kenyon International Servicecenter durchgeführt werden.
6. Diese Gewährleistung deckt keine Reparatur- oder Ersatzkosten für Schäden an Glasoberflächen, Grillroste oder Grillbleche ab.

ES GIBT KEINE WEITEREN GEWÄHRLEISTUNGEN FÜR DIE MARKGÄNGIGKEIT, EIGNUNG FÜR EINEN BESTIMMTEN ODER ANDERS GEARTETEN ZWECK – WEDER AUSDRÜCKLICH NOCH STILLSCHWEIGEND – UND VOM GESETZ SIND AUCH KEINE WEITEREN VORGESCHRIBENEN Gewährleistungen, die aus einer gesetzlichen Auslegung zugunsten des Verbrauchers folgen, sind auf einen Zeitraum von drei Jahren ab dem Original-Kaufdatum begrenzt. Da einige Länder keine Beschränkung hinsichtlich der Gültigkeitsdauer einer gesetzlichen Gewährleistung erlauben, trifft diese Beschränkung in Ihrem Fall möglicherweise nicht zu.

DAS UNTERNEHMEN HAFTET NICHT FÜR FOLGESCHÄDEN ODER NEBENSCHÄDEN, DIE AUS DER VERLETZUNG DIESER GEWÄHRLEISTUNG – SEI ES AUSDRÜCKLICH, STILLSCHWEIGEND ODER GESETZLICH – ENTSTEHEN. Einige Länder oder Staaten erlauben den Ausschluss oder die Einschränkung von Folge- oder Nebenschäden nicht, sodass dieser Ausschluss oder die Einschränkung in Ihrem Fall möglicherweise nicht gilt.

DURCH DIESE GEWÄHRLEISTUNG WERDEN IHNEN BESTIMMTE GESETZLICHE ANSPRÜCHE ÜBERTRAGEN. IHNEN STEHEN ZUDEM GEGEBENENFALLS NOCH WEITERE RECHTE ZU, DIE VON LAND ZU LAND UND VON STAAT ZU STAAT UNTERSCHIEDLICH SEIN KÖNNEN.

Kenyon International Inc.
P.O. Box 925 • 8 Heritage Park Road • Clinton, CT 06413 USA
Telefon: (860) 664-4906 FAX: (860) 664-4907

PRECAUZIONI IMPORTANTI

Durante l'utilizzo di apparecchiature elettriche è opportuno seguire precauzioni di base per la sicurezza compreso quanto segue:

1. Leggere TUTTE le istruzioni prima di utilizzare questo prodotto.
2. Non toccare le superfici roventi. Usare le maniglie o le manopole.
3. Evitare di immergere i cavi o le spine all'interno di acqua o liquido per proteggersi dal rischio di scosse elettriche.
4. È necessaria una stretta sorveglianza quando le apparecchiature vengono utilizzate in presenza di bambini.
5. Staccare la spina dalla presa di corrente quando non in uso o prima di procedere alle operazioni di pulizia. Lasciar raffreddare prima di applicare o rimuovere i componenti.
6. Non azionare l'apparecchiatura se il cavo di alimentazione o la spina sono danneggiati. In caso di malfunzionamento dell'apparecchiatura, interrompere l'utilizzo e contattare il rivenditore autorizzato più vicino o l'azienda per eseguire verifiche, riparazioni o regolazioni.
7. L'utilizzo di componenti accessori non forniti dal produttore può causare danni.
8. Se usato come grill portatile, custodire all'interno quando non in uso. Se usato come grill integrato, è necessario utilizzare una protezione adeguata per prevenire l'esposizione diretta alla pioggia. Sono disponibili coperture.
9. Non lasciare che i cavi pendano dal bordo del tavolo o del banco o che entrino in contatto con le superfici roventi.
10. Non posizionare sopra o nelle vicinanze di un fornello elettrico o all'interno di un forno caldo.
11. È necessario prestare la massima attenzione durante lo spostamento di un'apparecchiatura contenente olio o liquidi bollenti.
12. Collegare sempre la spina prima all'apparecchiatura e successivamente collegare il cavo alla presa sul muro. Per scollegare, spegnere tutti i comandi portandosi sulla posizione "off" e rimuovere la spina dalla presa sul muro.
13. Non utilizzare l'apparecchiatura per scopi diversi da quelli a cui è destinata.
14. Versare sempre dell'acqua, minimo una (1) tazza, all'interno della vaschetta di raccolta prima di iniziare a utilizzare il grill.
15. Non lasciare mai i bambini da soli - i bambini devono essere sorvegliati in ogni istante nelle vicinanze del grill.
16. Lasciar raffreddare il grill prima di rimuovere la griglia di cottura, la vaschetta di raccolta o il coperchio.
17. I combustibili, come il carbone, non devono essere utilizzati con questa apparecchiatura.
18. Assicurarsi che il grill sia stato installato seguendo le istruzioni e che sia stata eseguita la messa a terra adeguata da parte di un elettricista qualificato.
19. Non sostituire o provare a riparare nessuno dei componenti del grill, a meno che non sia scritto in questo manuale.
20. Tutta la manutenzione deve essere eseguita da parte di un tecnico autorizzato dal produttore.
21. Non utilizzare acqua per estinguere fiamme originate dagli oli di cucina, utilizzare agenti chimici per lo spegnimento del fuoco a secco.
22. Non conservare materiali infiammabili nelle vicinanze del grill.
23. Durante l'utilizzo del grill non indossare indumenti larghi o abbigliamento con parti pendenti.

LEGGERE ATTENTAMENTE QUESTE ISTRUZIONI PRIMA DELL'INSTALLAZIONE E UTILIZZO. CONSERVARE QUESTE ISTRUZIONI

COME UTILIZZARE IL GRILL

REMOVE & READ PRIOR TO GRILLING

QUICK START TIPS

Thank you for purchasing the World's Finest All Seasons® Electric Grill! There are a few simple steps you can take to ensure your good decision will lead to years of World-Class Grilling:

VISIT OUR WEBSITE
to purchase recipe books, cooking utensils, grillware, gift certificates, and more!

1. Remove sealed food trays, clean both.
2. Remove grill from the bottom grill. Make sure the burner elements are not exposed to the air by the grill.
3. Turn on the grill by the power switch. Make sure the grill is fully open or closed before you start to cook. Do not touch the burner elements.
4. Once the grill is fully open, place your Kenyon All Seasons® Grill or stack directly into the grill. Do not touch the burner elements.
5. Turn the grill on to 1 (medium) or 2 (high) (8 bars). Adjust flame setting for type of food.
- Vegetables 3-4 bars
- Pork and beef 4-5 bars
- Chicken 5-6 bars
- Steaks 7-8 bars
6. Check food cook. Every 10-15 minutes grill food, have your meat tested!
7. Once cooking is complete, turn the grill off and wait for the burner elements to cool down. Once cool, clean the dishwasher safe with this grill as well as built-in ready for the next time of duty!
8. While the grill is in the wash, don't forget to clean out the drip tray contents. You don't want your previous jobs to flavor your next meal!

www.cookwithkenyon.com | 888.884.4306 | f | t | p | i

L'INSERTO QUI SOPRA SI TROVA SOTTO AL COPERCHIO DEL GRILL. LEGGERE L'INSERTO E RIMUOVERLO PRIMA DI USARE IL GRILL.

1. Prima di utilizzare il grill, rimuovere la griglia di cottura e la vaschetta di raccolta. Pulire il grill con acqua tiepida saponata utilizzando un panno morbido. UTILIZZARE SOLTANTO UTENSILI RESISTENTI ALLE ALTE TEMPERATURE DURANTE L'UTILIZZO DEL GRILL. Per acquistare un set completo di utensili di alta qualità in acciaio inossidabile/plastica resistente alle alte temperature, visitate il nostro sito www.cookwithkenyon.com.

2. Assicurarsi che la vaschetta di raccolta sia completamente inserita alla base del grill e che le staffe dell'elemento elettrico siano appoggiate alla staffa di sostegno dell'elemento.



3. Coprire la base della vaschetta di raccolta con del liquido. L'acqua va bene. NON UTILIZZARE LIQUIDI INFIAMMABILI! In questo modo si rischia di rovinare l'apparecchiatura per cucinare. L'utilizzo dell'aceto di mele durante la cottura del maiale può aggiungere un sapore gustoso alla carne. Una lattina di soda al lime può essere un tocco fantastico per la cottura del pesce. È possibile provare con ogni tipo di bevanda di proprio gradimento. **Ricordarsi sempre di aggiungere liquido nella vaschetta di raccolta prima di utilizzare il grill.**



4. Per evitare il rischio di fumi, pulire sempre la griglia di cottura dopo ogni utilizzo. Pulire il grill con acqua tiepida saponata utilizzando un panno morbido oppure lavare in lavastoviglie. Svuotare la vaschetta di raccolta e pulire con un panno di carta umido. La vaschetta di raccolta può essere usata molte volte prima che sia necessario sostituirla.

5. Posizionare la griglia di cottura o la piastra opzionale (codice n.B96000) sull'elemento con la vaschetta di raccolta già installata. Usare la piastra per alimenti come le uova, le frittelle o il mio piatto preferito - il toast alla francese!

6. Scaldare il grill per 5 - 9 minuti al massimo (8 tacche illuminate). Regolare le impostazioni del calore in base al tipo di alimento.

- Bistecche 7-8 tacche.
- Hamburger 6-7 tacche.
- Maiale e pesce 4-5 tacche.
- Verdure 3-4 tacche.

7. Chiudere il coperchio e cucinare. Gusta il migliore cibo grigliato mai provato prima!

8. Pulizia. Operazione facile e veloce da imparare. Una volta che il grill si è raffreddato ed è possibile toccarlo, ricoprire la superficie di cottura con dei panni di carta. Bagnare i panni di carta con 30 gr. (1 oz) d'acqua e tamponare in avanti e indietro utilizzando le pinze in nylon resistenti alle alte temperature per ammorbidire i residui rimasti sul grill. Gettare il panno di carta e pulire la griglia con un panno di carta asciutto.

9. Una volta raffreddata completamente, rimuovere la griglia e metterla in lavastoviglie per un lavaggio accurato.

10. Una volta rimossa la griglia, sollevare l'elemento elettrico e rimuovere la vaschetta di raccolta. Svuotare il contenuto della vaschetta di raccolta in un luogo adeguato, non gettarlo nel giardino del vicino. Asciugare la vaschetta con un panno di carta e riutilizzare la vaschetta. La vaschetta può durare per numerosi utilizzi.

11. È possibile lavare il coperchio ogni 7-8 utilizzi. Può essere lavato in lavastoviglie con il programma per le pentole. Questo riporterà il grill al suo aspetto pulito originale.

12. Per procedere alla pulizia del grill assicurarsi prima che la superficie di cottura sia fredda abbastanza per essere toccata. Rimuovere la griglia, sollevare l'elemento elettrico fino a bloccarlo in posizione sollevata, quindi, rimuovere la vaschetta di raccolta.

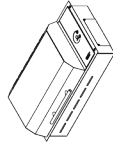
13. Pulire le superfici in acciaio inox con un panno umido per rimuovere tutti i residui della cottura precedente.

14. Il grill Kenyon è dotato di un campione di fiaccone per pulire l'acciaio inox. Utilizzare il fiaccone una volta al mese per mantenere il grill come nuovo.

15. L'area dei comandi è vetroceramica sigillata per la protezione contro la pioggia, la neve e il ghiaccio. Per pulire il vetro, utilizzare un detergente per vetri e un panno morbido. In caso di macchie, utilizzare un detergente per vetroceramica commerciale acquistabile al supermercato di zona.



SPECIFICHE TECNICHE DEL PRODOTTO



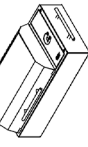
Frontier

Modello **B70050** - UL-120 VCA - 1300 WATT - 11 AMPERE
Modello **B70051** - 240 VCA - 1300 WATT - 6 AMPERE

Dimensioni complessive: 533 mm x 305 mm x 102 mm (21 polli. x 12 polli. x 4 polli.)
(187 mm (7 3/8 di polli.) con il coperchio)

La profondità non include il raccordo del tubo di scarico

Dimensioni sagoma: 501,6 mm x 296 mm (19 3/4 polli. x 11 5/8 polli.)
con raggio 6 mm (1/4 polli.) sugli angoli



Portatile

Modello **B70090** - UL-120 VCA - 1300 WATT - 11 AMPERE

Dimensioni complessive: 533 mm x 305 mm x 219 mm
(21 polli. x 12 polli. x 8 5/8 polli.)

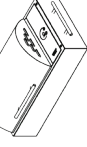
Floridian

Modello **B70080** - UL-120 VCA - 1300 WATT - 11 AMPERE
Modello **B70081** - 240 VCA - 1300 WATT - 6 AMPERE

Dimensioni complessive: 533 mm x 305 mm x 102 mm (21 polli. x 12 polli. x 4 polli.)
(206 mm (8 1/8 di polli.) con il coperchio)

La profondità non include il raccordo del tubo di scarico

Dimensioni sagoma: 501,6 mm x 296 mm (19 3/4 polli. x 11 5/8 polli.)
con raggio 6 mm (1/4 polli.) sugli angoli



Portatile

Modello **B70082** - UL-120 VCA - 1300 WATT - 11 AMPERE

Dimensioni complessive: 533 mm x 305 mm x 238 mm
(21 polli. x 12 polli. x 9-3/8 polli.)

Rio

Modello **B70085** - UL-120 VCA - 1300 WATT - 11 AMPERE
Modello **B70086** - 240 VCA - 1300 WATT - 6 AMPERE

Dimensioni complessive: 584 mm x 397 mm x 102 mm (23 polli. x 15 polli. x 4 polli.)
(206 mm (8 1/8 di polli.) con il coperchio)

La profondità non include il raccordo del tubo di scarico

Dimensioni sagoma: 501,6 mm x 296 mm (19 3/4 polli. x 11 5/8 polli.)
con raggio 6 mm (1/4 polli.) sugli angoli



No Lid

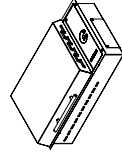
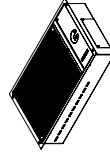
Modello **B70060** - UL-120 VCA - 1300 WATT - 11 AMPERE
Modello **B70061** - UL-120 VCA - 1300 WATT - 6 AMPERE

Modello **B70062** - UL-120 VCA - 1300 WATT - 11 AMPERE

Modello **B70067** - 240 VCA - 1300 WATT - 6 AMPERE

Dimensioni complessive: 533 mm x 305 mm x 102 mm (21 polli. x 12 polli. x 4 polli.)
La profondità non include il raccordo del tubo di scarico

Dimensioni sagoma: 501,6 mm x 296 mm (19 3/4 polli. x 11 5/8 polli.)
con raggio 6 mm (1/4 polli.) sugli angoli



Half Height Lid

Modello **B70056** - UL-120 VCA - 1300 WATT - 11 AMPERE
Modello **B70057** - 240 VCA - 1300 WATT - 6 AMPERE

Dimensioni complessive: 533 mm x 305 mm x 102 mm (21 polli. x 12 polli. x 4 polli.)
(159 mm (6 1/4 di polli.) con il coperchio)

La profondità non include il raccordo del tubo di scarico

Dimensioni sagoma: 501,6 mm x 296 mm (19 3/4 polli. x 11 5/8 polli.)
con raggio 6 mm (1/4 polli.) sugli angoli

INSTALLAZIONE

Contenuto della confezione

Il grill All Seasons® è montato e pronto per l'uso. Prima di utilizzare il grill, scrivere il numero seriale del prodotto qui per l'utilizzo in futuro: _____, il numero seriale si trova sul lato corto del grill alla fine del pannello dei comandi in vetro. Il numero seriale è costituito da sei cifre.

Nel contenitore di imballaggio di All Seasons® Grill vi sono quattro (4) viti di montaggio, un tubo di scarico da 0,9 m (3 piedi), un raccordo a gomito o un attacco per lo scarico a seconda del modello portatile o integrato, un manuale e un detergente per l'acciaio inox. Se alcuni componenti fossero mancanti o danneggiati, contattare immediatamente KENYON.

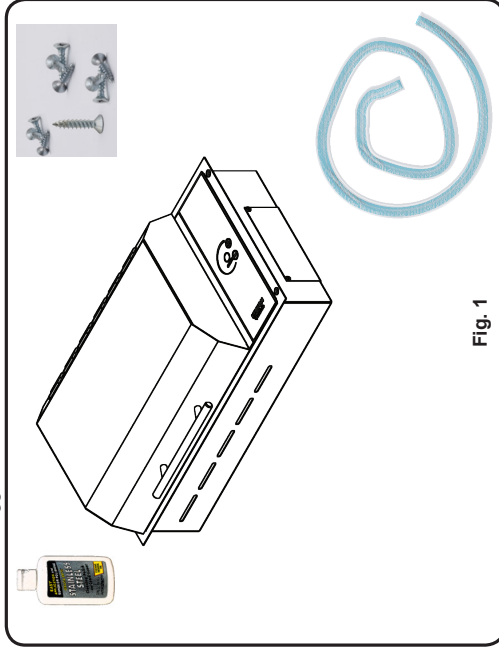


Fig. 1

Requisiti elettrici

Controllare i requisiti elettrici per l'alimentazione

Questo prodotto deve essere installato conformemente alle normative elettriche nazionali, regionali e locali. La seguente tabella indica i corretti valori di tensione, amperaggio e frequenza specifici per il grill.
L'alimentazione deve provenire da un singolo circuito correttamente collegato a terra, protetto da un salvavita e conforme alle specifiche dei modelli indicati nella tabella sopra riportata.

KENYON Codice n.	Carico massimo	Alimentazione	Tipo di spina
B70050 B70056 B70060 B70062 B70080 B70082 B70085 B70090	1300 Watt	120 VCA 11A 60Hz	spino a 3 con messa a terra cavo con interruttore differenziale
B70051 B70057 B70061 B70067 B70081 B70086	1300 Watt	240 VCA 6A 60Hz	cavo a 3 fili senza spina

ATTENZIONE:

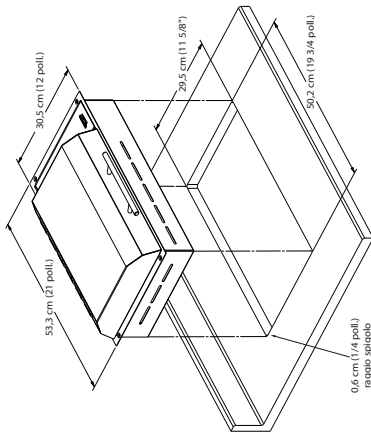
se l'alimentazione elettrica non soddisfa le specifiche del prodotto, consultare un elettricista qualificato prima di procedere con l'installazione.
Non rimuovere l'interruttore differenziale dal cavo fornito per nessuna ragione.

Montaggio del piano di lavoro

Il grill All Seasons® viene fornito con una flangia in acciaio inox lucidato su cui è possibile installare quattro viti a legno a testa ovale. La flangia del grill è progettata per tenere l'unità saldamente in posizione sul piano di lavoro. Se si desidera, è possibile sigillare il bordo del piano di lavoro sotto la flangia. Usare un sigillante morbido in modo da evitare eventuali danni in caso di successiva rimozione per motivi di riparazione o manutenzione. Si consiglia un tipo di sigillante non adesivo, ad esempio stucco per tubazioni, **con spessore massimo compreso di 1,6 mm (1/16 di pollice)**. Se lo si desidera, è possibile usare silicone solo per sigillare il bordo del vetro.

ATTENZIONE:

lasciare uno spazio di 5 cm (2 pol.) tra il fondo del grill e la superficie combustibile che si trova al di sotto di esso, ad esempio il lato superiore di un cassetto installato sotto il grill (Fig. 3 pagina 12). Il mancato rispetto delle adeguate distanze di sicurezza e della ventilazione possono causare un incendio.



DIMENSIONI della sagoma del piano di lavoro GRILL B70050

Leggere attentamente questo paragrafo prima di preparare la sagomatura per il grill.
 È importante pianificare in anticipo il lavoro di installazione del grill, tenendo in considerazione le seguenti dimensioni (fare riferimento alla Fig. 2 qui di seguito).

- A** - 33 cm (13 poll.) di profondità massima per i pensili
- B** - 91,4 cm (36 poll.) di altezza minima da terra per il piano di lavoro
- C** - La superficie minima su cui il piano di lavoro del grill può appoggiarsi deve essere pari o superiore alle dimensioni totali del grill (fare riferimento a pagina 8 per le dimensioni totali del grill).
- D** - Distanza minima di 76,2 cm (30 poll.) tra la parte superiore del grill e la parte inferiore del pensile in legno o metallo non schermato oppure 61 cm (24 poll.) di spazio se la parte inferiore del pensile è schermata da una lastra antifiama di almeno 0,6 cm (1/4 poll.) coperta da una lastra in acciaio inossidabile n. 28 MSG spessa almeno 0,38 mm (0,015 poll.), una lastra in alluminio da 0,6 mm (0,024 poll.) oppure una lastra di rame spessa 0,5 mm (0,020 poll.).
- E** - 10,2 cm (4 poll.) dai paraschizzi del piano di lavoro al bordo del grill (fare riferimento a pagina 8 per le dimensioni totali). 3,8 cm (1,5 poll.) minimo dalla parte frontale al banco del grill.

PER L'INSTALLAZIONE IN CANADA: "Non installare a una distanza superiore di 12 mm (1/2 poll.) da qualunque superficie adiacente", e **NE PAS INSTALLER A MINDS DE 12 MM (1/2 poll.) DETOUTE SURFACE ADJACENTE.**

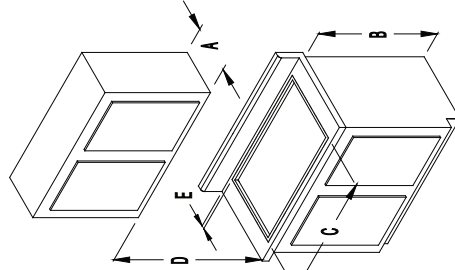


Fig. 2

ATTENZIONE:

per evitare il rischio che eventuali fiamme si estendano dai grill ai pensili, evitare di montare mobili sopra il grill. Se l'installazione di pensili è indispensabile è possibile ridurre il rischio montando una cappa orizzontale che sporga di almeno 12,7 cm (5 poll.) dalla parte inferiore del pensile.

Prima di sagomare il piano di lavoro, controllare che lo spazio sia sufficiente. Controllare che il grill possa entrare nello spazio del pensile alla base. Controllare anche che lo spazio dei paraschizzi sia adeguato in modo tale che il coperchio si possa aprire completamente.

La corretta ventilazione dello spazio sotto il piano di lavoro è necessaria per assicurare il corretto funzionamento del piano cottura. In caso di ventilazione insufficiente, il calore trasferito dal fondo del pannello inferiore del piano cottura causerà un surriscaldamento.

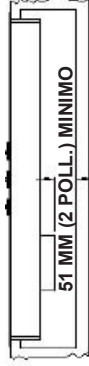


Fig. 3

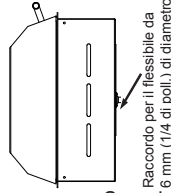
Durante la sagomatura del piano di lavoro, eseguire una curvatura di raccordo sull'angolo per evitare la rottura del materiale del piano di lavoro. In genere la curva può essere di 6 mm (1/4 di poll.), bisogna comunque seguire le istruzioni del produttore del piano di lavoro relative alla curva minima e a tutte le misure di rinforzo necessarie per evitare danneggiamenti al piano di lavoro con il passare del tempo.

Se il piano di lavoro è fatto di una superficie di materiale composito è necessario verificare con il produttore se esistono raccomandazioni particolari per l'installazione del piano di lavoro e del grill. Molti produttori di piani di lavoro con superfici in materiale composito prevedono che vengano realizzati supporti angolari aggiuntivi per evitare danneggiamenti al piano di lavoro. Utilizzare le viti incluse per fissare il grill al piano di lavoro. Fare attenzione a non stringere eccessivamente le viti. Utilizzare un sigillante acrilico per unire la flangia al piano di lavoro.

Se il piano di lavoro è in pietra, sarà necessario utilizzare un lattice acrilico per fissare il grill. Passare un ampio strato di sigillante sul bordo della sagoma e posizionare il grill. Eliminare il sigillante in eccesso, utilizzare l'acqua per rimuovere il sigillante. Lasciar asciugare il sigillante per almeno 24 ore evitando che entri in contatto con qualsiasi fonte di umidità. Non utilizzare le viti fornite con il grill. Il sigillante basterà a sostenere saldamente il grill. Non utilizzare sigillanti che contengono silicone perché potrebbero macchiare la pietra.

Collegamento del tubo di scarico

Per comodità, il grill è dotato di un raccordo idraulico in rame da 3 mm (1/8 di poll.) NPT (National Pipe Thread) e un raccordo a gomito da 90° che è possibile collegare al flessibile da 6,4 mm (1/4 di poll.) di diametro interno fornito con il grill. La versione portatile del grill è dotata di un tappo in rame per tubature installato sul raccordo del tubo di scarico. Se il grill viene usato come elemento portatile, conservare il flessibile e il raccordo da 90° per un'eventuale installazione in futuro.

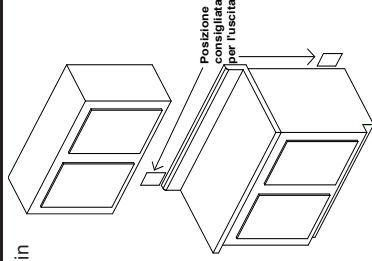


Raccordo per il flessibile da 6,4 mm (1/4 di poll.) di diametro interno

Fig. 4

Collocazione delle prese

Assicurarsi che le prese che si intendono utilizzare per il grill siano in una posizione facilmente accessibile. Questo permette all'utente di attaccare e staccare il grill con facilità e assicura la pulizia e la conservazione in sicurezza del grill.



Procedure finali prima dell'utilizzo

Rimuovere la pellicola in plastica dal coperchio, dalla fiangia e dal pannello di vetro. Pulire il grill prima di utilizzarlo per la prima volta. La pulizia accurata con un prodotto per acciaio inox o vetro rimuove ogni traccia di plastica adesiva e oli di lavorazione.

Lavare la griglia antiaderente in acqua tiepida saponata prima di utilizzare il grill.

UTILIZZO DEL GRILL

NON TENTARE MAI DI SPEGNERE LE FIAMME CAUSATE DALLA COMBUSTIONE DI OLIO O GRASSO USANDO ACQUA

Soffocare la fiamma oppure utilizzare un estintore a polvere chimica o a schiuma.

USARE ESCLUSIVAMENTE PRESINE ASCIUTTE

Presine umide o bagnate su superfici calde potrebbero generare vapore ustionante. Evitare il contatto tra le presine e la griglia o altri componenti del grill. Non usare mai asciugamani o altri panni ingombranti al posto delle presine.

NON USARE IL GRILL SE LA GRIGLIA O LA PIASTRA SONO DANNEGGIATI

La rottura della griglia può provocare il contatto diretto di grasso e olio con i componenti elettrici e creare il rischio di scosse elettriche o incendi. Contattare subito un centro assistenza autorizzato oppure il servizio clienti KENYON al numero (860) 664-4906.

PULIRE IL GRILL CON CAUTELE

Se si utilizza una spugna o un panno bagnato per pulire i liquidi caduti sul piano cottura, fare molta attenzione al vapore che potrebbe generarsi e causare ustioni alla pelle. Alcuni detersivi generano fumi nocivi se applicati su superfici calde. Leggere le avvertenze sull'etichetta del detersivo prima di usare il prodotto.

NON TOCCARE LA SERPENTINA RISCALDANTE O LA GRIGLIA

La serpentina riscaldante e la griglia rimangono roventi per un po' di tempo dopo la cottura. Bisogna attendere che questi componenti si raffreddino e successivamente maneggiarli con cura e cautela durante la pulizia perché potrebbero essere ancora abbastanza caldi da causare ustioni gravi.

PULIRE IL GRILL DOPO OGNI UTILIZZO

Questa apparecchiatura è dotata di una teglia di scolo. Questa teglia **DEVE** essere rimossa e pulita dopo OGNI utilizzo. Evitare che il grasso si accumuli tra una cottura e l'altra. La teglia raccoglie grasso e la vaschetta di protezione **DEVONO** essere usate durante le operazioni di cottura con il grill. Il grasso in eccesso può schizzare all'interno del grill rendendo nulla la garanzia e creando il rischio di incendi.

NON LASCIARE MAI IL GRILL INCUSTODITO SE IMPOSTATO AL MASSIMO DEL CALORE

L'impostazione al massimo del calore può causare la produzione di fumo e la combustione dei grassi.

NON PULIRE L'UNITÀ CON ACQUA PRESSURIZZATA

Non pulire mai il grill con nessun tipo di acqua pressurizzata o altri tipi di agenti pulenti. Questo può comportare l'annullamento della garanzia e provocare un alto rischio di scosse elettriche. Pulire sempre grill con un panno e un detergente per acciaio inox o vetro.

CONSERVAZIONE

Se usato come grill portatile, custodire all'interno quando non in uso. Se usato come grill integrato, è necessario utilizzare una protezione adeguata per prevenire l'esposizione diretta alla pioggia. Sono disponibili coperture.

PREVENZIONE DEI FUMI

Per prevenire i fumi provenienti dal grasso contenuto nella teglia, versare 1 tazza di acqua (o quanto basta per coprire il fondo della teglia) sulla teglia raccogli grasso prima di procedere con la cottura.

NON UTILIZZARE PENTOLE O ALTRI RECIPIENTI PER LA COTTURA SUL GRILL

CONSERVARE QUESTE ISTRUZIONI CON IL GRILL PER POTERLE CONSULTARE IN FUTURO.

Comandi

INDICATORE DI ACCENSIONE

Questo indicatore segnala se il grill è acceso o spento.

DISPLAY DEL LIVELLO DI POTENZA

Il display digitale indica la potenza emessa dal grill. Le spie dell'indicatore seguono la curva della grafica mostrata sullo schermo. Ci sono otto livelli di calore selezionabili.

SENSORE (+)

Toccando questo sensore si aumenta il calore emesso dal grill con incrementi progressivi di uno.

SENSORE (-)

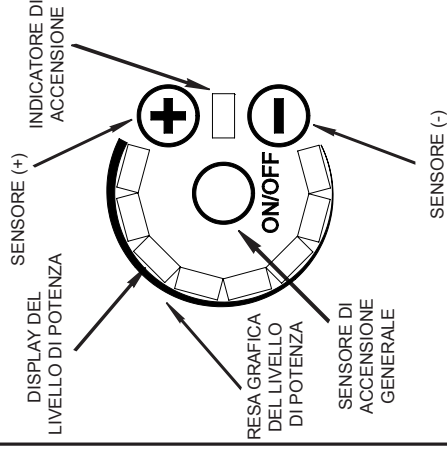
Toccando questo sensore si riduce il calore emesso dal grill diminuendo progressivamente la potenza di uno.

RESA GRAFICA DEL LIVELLO DI POTENZA

Riproduce il livello di calore emesso dall'elemento. La linea si allarga da sottile a spessa, indicando la potenza da bassa a alta.

SENSORE DI ACCENSIONE GENERALE

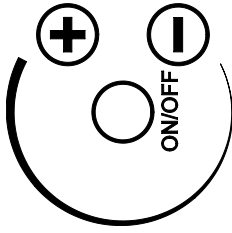
Questo è il comando principale del grill. Toccando questo comando quando il grill è impostato su spento si attiva il comando principale e si accende il grill. Toccando questo comando quando il grill è impostato su acceso si spegne il grill.



RESA GRAFICA DEI COMANDI

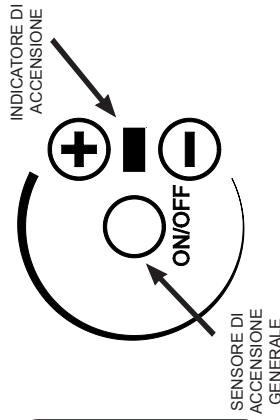
CALIBRATURA

Non appena viene fornita alimentazione elettrica al grill, il comando principale esegue un processo di auto calibratura. Il comando principale emette quindi un suono di conferma e il display si illumina per un istante. Il grill è ora pronto per l'uso.



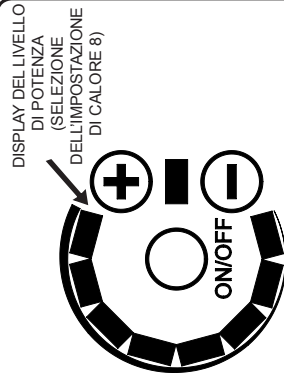
AUMENTARE LA POTENZA DEL GRILL

Per accendere il grill, toccare e trattenere il sensore di accensione generale per due secondi. Il comando principale emette un segnale acustico e l'indicatore di accensione si illumina.



IMPOSTARE IL CALORE

Il grill KENYON ha 8 impostazioni di calore diverse, da 1 a 8, che è possibile selezionare con i sensori (-) e (+). Le impostazioni di calore vengono visualizzate come mostrato qui a destra. La serpentina riscaldante ha dei cicli di accensione a intervalli di tempo diversi per variare il livello di calore. Aumentando le impostazioni, la serpentina riscaldante resta accesa per un periodo più lungo aumentando la temperatura di cottura del grill.



SPEGNIMENTO DEL GRILL SPENTO

Per spegnere il grill, è sufficiente **toccare e trattenere** il sensore di accensione generale per **due secondi**. Il comando principale toglie l'alimentazione e spegne la serpentina riscaldante.

IN CASO DI EMERGENZA IL GRILL DA 120 V PUÒ ESSERE SPENTO PREMENDO IL PULSANTE DI "TEST" DELL'INTERRUTTORE DIFFERENZIALE. VEDERE FIG. 5.

SPEGNIMENTO AUTOMATICO

Il comando elettronico del grill KENYON è stato programmato pensando alla sicurezza e dispone di spegnimento automatico. Il grill è programmato per spegnersi dopo un periodo di tempo prestabilito dopo che è stato alimentato (vedere la tabella che segue). Il comando inoltre si spegne se raggiunge un limite di temperatura preimpostato. Se succede, lasciar raffreddare il grill per 20-30 minuti.

PRERISCALDAMENTO E AUTO SPEGNIMENTO

Il comando del grill ha una funzione di preriscaldamento che fornisce il massimo della potenza per un dato periodo di tempo per ciascuna delle impostazioni di potenza selezionate. Questa funzione di preriscaldamento porta la griglia/piastra alla temperatura di cottura desiderata permettendo di iniziare a usare il grill velocemente. La tabella che segue fornisce i tempi di preriscaldamento e auto spegnimento per ciascuna impostazione di calore.

IMPOSTAZIONE	TEMPO DI PRE RISCALDAMENTO (min.)	AUTO SPEGNIMENTO (min)
1	1	90
2	3	90
3	5	90
4	5	60
5	7	60
6	7	60
7	7	60
8	8	60

GUIDA ALLE TEMPERATURE

Quanto segue è inteso come una linea guida. I fattori come il vento, le temperature esterne, la temperatura del cibo posizionato sul grill possono influire sui tempi di cottura. Il grill è progettato e costruito per avere prestazioni ottimali di cottura a coperchio chiuso o aperto.

IMPOSTAZIONE	TIPI DI CIBI
1	Uova fritte alla piastra
2	Frittelle - toast alla francese sulla piastra
3	Verdure
4	Verdure - pesce
5	Pesce - pollo
6	Pollo - hamburger
7	Hamburger - bistecche
8	Bistecche

Cavo di alimentazione

SOLO PER I MODELLI DA 120 V

INTERRUTTORE DIFFERENZIALE (GFCI - GROUND FAULT CIRCUIT INTERRUPTER)

L'interruttore differenziale è un dispositivo di sicurezza progettato per proteggere gli utenti dal rischio di scosse elettriche.

INDICATORE LUMINOSO

L'indicatore luminoso si accende quando si fornisce elettricità e indica che l'interruttore differenziale funziona correttamente.

PULSANTE DI SPEGNIMENTO/TEST DEL DIFFERENZIALE

Premendo questo pulsante è possibile testare l'interruttore differenziale.

L'indicatore luminoso si spegne mentre viene interrotta la corrente elettrica diretta al grill. L'interruttore differenziale deve essere testato ogni mese.

PULSANTE DI RESET

Premendo questo pulsante è possibile ripristinare le funzioni normali dell'interruttore differenziale. L'indicatore luminoso si accende e la corrente elettrica viene fornita al grill. Se l'indicatore luminoso non si accende, l'interruttore differenziale ha individuato un malfunzionamento. Staccare l'interruttore differenziale dalla presa e evitare di utilizzare grill.

SPINOTTO A 3 CON MESSA A TERRA

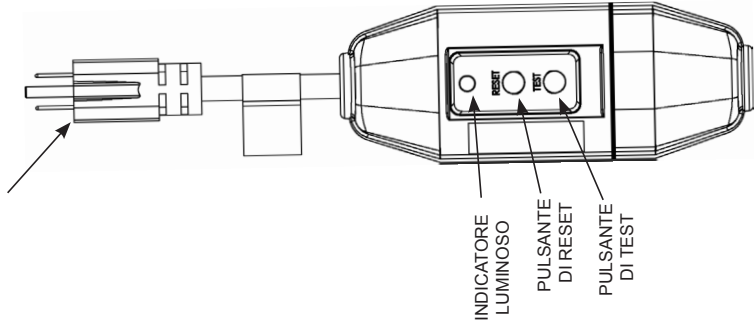
ATTENZIONE - Per garantire una protezione continua contro il rischio di scosse elettriche, l'interruttore differenziale deve essere collegato a una presa adeguatamente messa a terra.

NON UTILIZZARE PROLUNGHE

INTERRUTTORE DIFFERENZIALE DEI MODELLI DA 240 V

Il circuito di tensione di alimentazione (240 V) deve disporre di un interruttore differenziale. Verificare i codici locali di conformità.

SPINOTTO A 3 CON MESSA A TERRA



INDICATORE LUMINOSO

PULSANTE DI RESET

PULSANTE DI TEST

INTERRUTTORE DIFFERENZIALE
INTERRUTTORE DIFFERENZIALE

Fig. 5

Componenti del grill

LA SERPENTINA RISCALDANTE

La serpentina riscaldante è progettata per ruotare come mostrato per agevolare la rimozione e la sostituzione della vaschetta di protezione e della vaschetta di raccolta. Rimane in posizione sollevata. Per abbassarla applicare una leggera pressione verso il basso.

LA VASCHETTA DI PROTEZIONE

La vaschetta di protezione sostiene la vaschetta di raccolta, la serpentina riscaldante e la griglia e devono essere sempre utilizzate durante il funzionamento del grill.

VASCHETTA DI RACCOLTA

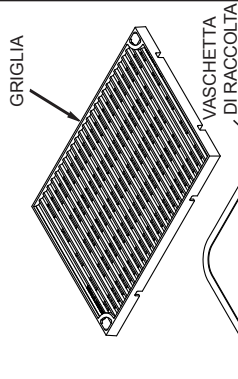
La vaschetta di raccolta raccoglie tutti i grassi e i liquidi che si creano durante la cottura. La vaschetta di raccolta deve essere svuotata dopo ogni utilizzo. Durante il riposizionamento della vaschetta di raccolta, posizionarla in modo tale che venga completamente contenuta dalla vaschetta di protezione e verificando che il bordo laterale della vaschetta di raccolta non fuoriesca dalla vaschetta di protezione. (vedere Fig. 6)

(vedere Fig. 6)

Per prevenire la formazione di fumi provenienti dal grasso contenuto nella vaschetta di raccolta, versare 1 tazza di acqua (o quanto basta per coprire il fondo della teglia) sulla vaschetta di raccolta prima di procedere con la cottura. Il codice di sostituzione della vaschetta di raccolta è n.B96001.

GRIGLIA

La griglia deve essere pulita dopo ogni utilizzo. La griglia ha una superficie antiaderente per facilitare le operazioni di pulizia. Lavare la griglia dopo ogni utilizzo con acqua tiepida saponata.



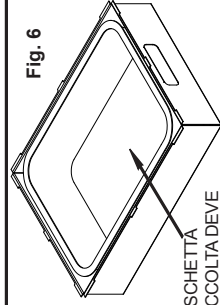
GRIGLIA

VASCHETTA DI RACCOLTA

VASCHETTA DI PROTEZIONE

SERPENTINA RISCALDANTE

Fig. 6



LA VASCHETTA DI RACCOLTA DEVE ESSERE CONTENUTA ALL'INTERNO DELLA VASCHETTA DI PROTEZIONE, COME MOSTRATO

Rimozione del coperchio

RIMOZIONE DEL COPERCHIO
Il coperchio dei grilli può essere rimosso per pulirlo. Per rimuovere il coperchio, sfilare il perno a sgancio rapido dal cardine (vedere Fig. 7).

Una volta rimosso il perno a sgancio rapido, afferrare il coperchio e sollevare il lato sinistro per liberare il cardine e far scivolare verso sinistra fino all'estrazione del perno di destra (vedere Fig. 8). Una volta rimosso, il coperchio può essere lavato con acqua saponata tiepida.

Fig. 7

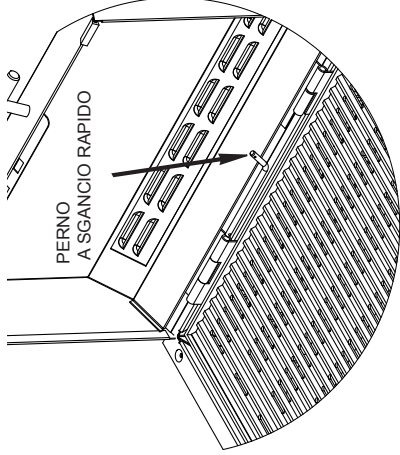
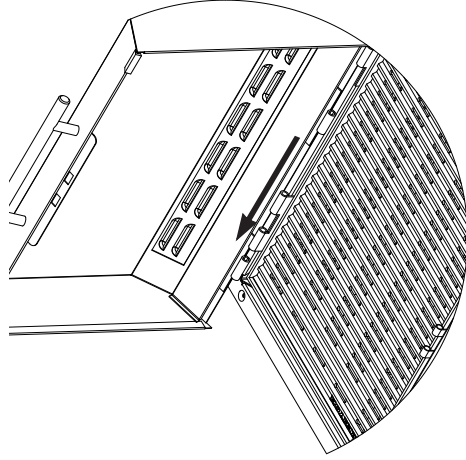


Fig. 8



Garanzia

KENYON International, Inc. ("l'Azienda") garantisce che i suoi prodotti sono liberi da difetti nei materiali e nella realizzazione in base alle condizioni e alle limitazioni descritte di seguito. Le parti che risultano difettose per un uso normale durante il periodo della garanzia saranno riparate o sostituite dall'Azienda.

La presente garanzia copre determinati prodotti costruiti dall'Azienda ed è soggetta alle condizioni e alle limitazioni riportate di seguito.

1. La responsabilità dell'Azienda è limitata alla riparazione o alla sostituzione (a scelta dell'Azienda) dei prodotti o delle parti che potrebbero presentare difetti di produzione. Detta responsabilità è limitata a un periodo di tre anni dalla data della prima installazione o 42 mesi dalla data della fattura, in base a quale data è la precedente; questa garanzia copre le parti e il lavoro alla tariffa approvata dall'Azienda di 75 \$ l'ora.
2. La determinazione di adeguatezza del prodotto per l'utilizzo contemplato dall'acquirente spetta esclusivamente all'acquirente e l'Azienda non dovrà avere responsabilità connesse a tale adeguatezza.
3. L'Azienda non sarà responsabile per danni risultanti da:
 - guasti dovuti all'utilizzo non contemplato dei prodotti;
 - guasti dovuti a corrosione, usura, abuso o installazione o manutenzione non adeguate.
4. L'Azienda è tenuta al pagamento delle spese di spedizione presso il luogo dell'elettrodomestico (abitazione) entro i limiti degli Stati Uniti e del Canada. Altre spese di spedizione espresse o speciali sono a carico dell'acquirente.
5. Tutto il lavoro consentito dall'Azienda secondo la presente garanzia deve essere eseguito da un centro assistenza Kenyon International autorizzato, salvo quando diversamente specificato in forma scritta dall'Azienda.
6. La presente garanzia non copre i costi di riparazione o sostituzione dovuti a danneggiamenti alle superfici in vetro, alla griglia di cottura o alla piastra di cottura.

NON ESISTONO ALTRE GARANZIE DI COMMERCIALITÀ, ADEGUATEZZA PER CERTI SCOPI O ALTRE GARANZIE ESPRESSE O IMPLICITE CHE NON POSSONO ESSERE IMPLICATE PER LEGGE.

La durata di tali garanzie che sono clonostante implicite per legge a beneficio del consumatore, è limitata a un periodo di tre anni dalla data originale di acquisto da parte dell'acquirente. Alcuni Paesi non consentono limitazioni sulla durata della garanzia, pertanto detta limitazione potrebbe non essere applicabile.

L'AZIENDA NON DEVE ESSERE RITENUTA RESPONSABILE PER DANNI CONSEGUENZIALI O INCIDENTALI DERIVANTI DALLA VIOLAZIONE DELLA PRESENTE GARANZIA ESPRESSA, IMPLICITA O STATUTARIA. Alcuni Paesi o stati non consentono l'esclusione o la limitazione di danni fortuiti o accidentali, pertanto tale limitazione o esclusione potrebbe non essere applicabile.

LA PRESENTE GARANZIA FORNISCE DIRITTI LEGALI SPECIFICI, TUTTAVIA CI SI POTREBBE AVVALERE ANCHE DI ALTRI DIRITTI LEGALI CHE VARIANO DA PAESE A PAESE E DA STATO A STATO.

Kenyon International, Inc.
P.O. Box 925 • 8 Heritage Park Road • Clinton, CT 06413 USA
Telefono (860) 664-4906 FAX: (860) 664-4907

RECOMENDAÇÕES IMPORTANTES

Ao usar aparelhos elétricos, deve-se sempre observar precauções de segurança básicas, incluindo o seguinte:

1. Leia TODAS as instruções antes de usar o produto.
2. Não toque em superfícies quentes. Use alças ou puxadores.
3. Para proteção contra choque elétrico, não submerja o cabo de alimentação e os plugues na água ou em qualquer outro líquido.
4. Mantenha sempre supervisão rigorosa ao usar qualquer aparelho próximo de crianças.
5. Desconecte da tomada quando não estiver em uso e antes de limpar. Deixe esfriar antes de montar ou desmontar as peças.
6. Não opere o aparelho se o cabo de alimentação ou os plugues estiverem danificados. Em caso de mau funcionamento do aparelho, descontinue o uso e entre em contato com o distribuidor autorizado mais próximo ou com a fábrica para diagnósticos, reparos ou ajustes.
7. O uso de acessórios não fornecidos pelo fabricante deste aparelho pode resultar em lesões.
8. Se for usado como um grill portátil, guarde em local fechado quando não estiver em uso. Se for usado como um grill embutido, forneça proteção adequada para evitar exposição direta à chuva. Capas disponíveis.
9. Não deixe o cabo de alimentação sobre as quinas da mesa ou bancada, ou sobre superfícies quentes.
10. Não coloque sobre ou próximo de fogão elétrico ou a gás, ou em um forno quente.
11. Deve-se ter extrema cautela ao mover um aparelho contendo óleo quente ou outros líquidos quentes.
12. Sempre conecte o plugue primeiro no aparelho, depois conecte o cabo de alimentação na tomada da parede. Para desconectar, desligue todos os controles, depois remova o plugue da tomada da parede.
13. Não use o aparelho para outros fins.
14. Sempre deixe um mínimo de um (1) copo de água na bandeja coletora de resíduos antes de grelhar.
15. Nunca deixe crianças sozinhas - crianças nunca devem ficar sem supervisão em torno do grill.
16. Deixe que o grill esfrie antes de retirar as grelhas, a bandeja de resíduos descartável ou as tampas.
17. Combustíveis, como briquetes de carvão, não devem ser usados com este aparelho.
18. Certifique-se de que o grill seja instalado de acordo com as instruções e aterrado adequadamente por um electricista qualificado.
19. Não substitua ou tente reparar qualquer peça do grill, salvo outra indicação neste manual. Todos os outros serviços devem ser realizados por um técnico autorizado de fábrica.
20. Não use água para apagar fogo causado por gordura, utilize extintor de pó químico seco.
21. Não armazene materiais inflamáveis próximos ao grill.
22. Não use trajes com folga ou soltos ao usar o grill.

LEIA ESTAS INSTRUÇÕES ATÉ O FIM ANTES DE INSTALAR E USAR. GUARDE ESTAS INSTRUÇÕES

COMO USAR O GRILL

QUICK START TIPS

Thank you for purchasing the World's Finest All Seasons® Electric Grill! There are a few simple steps you can take to ensure your good decision will lead to years of World-Class Grilling:

1. Remove grates (and drip tray) if desired.
2. Insert the drip tray (if you do not use the bottom grill). Make sure the burner orifices are not restricted by the tray (if you do not use the bottom grill).
3. Always fill the drip tray (if you do not use the bottom grill). Make sure the burner orifices are not restricted by the tray (if you do not use the bottom grill).
4. Depending on what other burners your Kenyon® All Seasons® Grill or grill is using, you may want to add them to your favorite food. There are several cooking grates.
5. Preheat grill for 15 to 20 minutes on High (Heat) if you have added any other grates for your food.
6. Vegetables 3-4 bars
How much is 15-20 bars
Steak 2-3 bars
7. Once the grill is preheated, place your food on the grill. Adjust heat setting for type of food.
8. Once you grill, use the controls to adjust the heat. Once you grill, use the controls to adjust the heat. Once you grill, use the controls to adjust the heat.

www.cookwithkenyon.com | 866.854.4906

A ETIQUETA ACIMA ESTÁ LOCALIZADA EMBAIXO DA TAMPA DO SEU GRILL. LEIA-A E REMOVA-A ANTES DE USAR O GRILL.

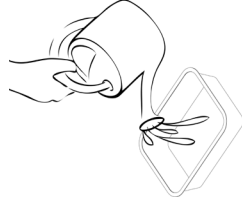
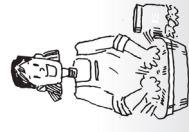
1. Antes de usar seu grill, remova a grelha e a bandeja de resíduos do grill. Lave o grill com água morna e sabão com um pano não abrasivo. USE APENAS UTENSÍLIOS PLÁSTICOS PARA ALTA TEMPERATURA AO GRELHAR. Acesse nosso site para comprar um jogo de utensílios plásticos para alta temperatura ou de aço inoxidável de alta qualidade, através do www.cookwithkenyon.com.

2. Certifique-se de que a bandeja de resíduos seja inserida até o fim na parte inferior do grill e que os encaixes da resistência elétrica estejam acoplados no suporte de encaixe da resistência.

3. Cubra o fundo da bandeja com um líquido. Pode ser água. NÃO UTILIZE

LIQUIDOS INFLAMÁVEIS! Fazer isso arruina seu churrasco. Usar suco de maçã ao grelhar carne de porco acrescenta um aroma agradável à carne.

Uma lata de soda limonada é maravilhosa se estiver grelhando um peixe. Experimente com qualquer tipo de líquido que você goste de beber. **Apenas lembre-se de sempre adicionar líquido na bandeja de resíduos antes de grelhar.**





4. Para manter seu grill sem fumaça, sempre deixe a superfície da grelha limpa após cada uso. Simplesmente lave com água morna e sabão com um pano não abrasivo ou coloque em sua máquina de lavar louças. Esvazie a bandeja de resíduos e seque com um papel toalha seco. A bandeja de resíduos pode ser usada várias vezes antes de ser necessário substituí-la.
5. Coloque sua grelha ou chapa opcional (código do produto B96000) na resistência com a bandeja de resíduos instalada. Use a chapa para alimentos tais como ovos, panquecas ou minha favorita - rabanada recheada!
6. Pré-aqueça o grill por 5 a 9 minutos em intensidade alta (8 barras iluminadas) Ajuste a intensidade do calor para o tipo de comida.
 - Bife de 7 a 8 barras
 - Hambúrguer de 6 a 7 barras
 - Porco ou peixe de 4 a 5 barras
 - Verduras de 3 a 4 barras
7. Feche a tampa e cozinhe. Aproveite a melhor comida grelhada que você já comeu!
8. Faça a limpeza. Esta é uma tarefa simples, conforme o mostrado a seguir. Depois que o grill tiver esfriado ao toque, pegue algumas folhas de papel toalha e coloque na superfície da grelha. Coloque em torno de 30 ml de água no papel toalha e em seguida, usando seu pegador de carne de náilon para alta temperatura, esfregue o papel toalha para frente e para trás para soltar os resíduos da sua grelha. Descarte o papel toalha e seque a grelha com um papel toalha seco.
9. Assim que a grelha esfriar o suficiente, remova a grade e coloque em sua máquina de lavar louça para uma obter limpeza completa.
10. Com a grelha removida, levante a resistência elétrica e remova a bandeja de resíduos. Esvazie o conteúdo da bandeja de resíduos em um lugar apropriado. Não jogue no gramado de seus vizinhos Seque a bandeja com um papel toalha seco e reutilize a bandeja. A bandeja pode ser usada várias vezes.
11. A cada 7 ou 8 usos, você pode precisar lavar a tampa. Ela pode ser colocada em sua máquina de lavar louça no modo para tigelas e painéis. Isto vai devolver ao seu grill a aparência original.
12. Para limpar o grill, primeiro verifique se a superfície da grelha esfriou o bastante para o manuseio. Em seguida, remova a grelha, levante a resistência elétrica até que fique travada na posição levantada, depois a bandeja de resíduos.
13. Seque as superfícies de aço inoxidável com um pano úmido para remover quaisquer resíduos das sessões de grelhados anteriores.
14. Seu grill Kenyon vem junto com um frasco de produto de limpeza para aço inoxidável de amostra. Use esse produto de limpeza uma vez por mês para manter seu grill com aparência de novo.
15. A área de controle de tela de toque é de vidro cerâmico com vedação contra o efeito de chuvas, neve e gelo. Para limpar o vidro, use um detergente limpador de vidros e uma toalha macia. Se aparecerem manchas, use um limpador de vidro cerâmico, que pode ser encontrado em um supermercado perto da sua casa.



ESPECIFICAÇÕES DO PRODUTO



Modelo B70050 - UL - 120 V CA - 1300 WATTS - 11 A
Modelo B70051 - 240 V CA - 1300 WATTS - 6 A

Dimensões totais:

533 mm x 305 mm x 102 mm (187 mm com a tampa)
21 pol x 12 pol x 4 pol (7 3/8 pol com a tampa)

O comprimento não inclui a conexão do dreno

Dimensões do recorte: 501,6 mm x 296 mm com cantos arredondados de 6 mm
19 3/4 pol x 11 5/8 pol com cantos arredondados de 1/4 pol

Portátil

Modelo B70090 - UL - 120 V CA - 1300 WATTS - 11 A

Dimensões totais:

533 mm x 305 mm x 219 mm
21 pol x 12 pol x 8 5/8 pol

Floridian

Modelo B70080 - UL - 120 V CA - 1300 WATTS - 11 A

Modelo B70081 - 240 V CA - 1300 WATTS - 6 A

Dimensões totais:

533 mm x 305 mm x 102 mm (206 mm com a tampa)
21 pol x 12 pol x 4 pol (8 1/8 pol com a tampa)

O comprimento não inclui a conexão do dreno

Dimensões do recorte: 501,6 mm x 296 mm com cantos arredondados de 6 mm
19 3/4 pol x 11 5/8 pol com cantos arredondados de 1/4 pol

Portátil

Modelo B70082 - UL - 120 V CA - 1300 WATTS - 11 A

Dimensões totais:

533 mm x 305 mm x 238 mm
21 pol x 12 pol x 9 3/8 pol

Rio

Modelo B70085 - UL - 120 V CA - 1300 WATTS - 11 A

Modelo B70086 - 240 V CA - 1300 WATTS - 6 A

Dimensões totais:

584 mm x 397 mm x 102 mm (206 mm com a tampa)
23 pol x 15 5/8 pol x 4 pol (8 1/8 pol com a tampa)

O comprimento não inclui a conexão do dreno

Dimensões do recorte: 501,6 mm x 296 mm com cantos arredondados de 6 mm
19 3/4 pol x 11 5/8 pol com cantos arredondados de 1/4 pol

No Lid

Modelo B70060 - UL - 120 V CA - 1300 WATTS - 11 A

Modelo B70061 - UL - 240 V CA - 1300 WATTS - 6 A

Modelo B70062 - UL - 120 V CA - 1300 WATTS - 11 A

Modelo B70067 - 240 V CA - 1300 WATTS - 6 A

Dimensões totais:

533 mm x 305 mm x 102 mm
21 pol x 12 pol x 4 pol

O comprimento não inclui a conexão do dreno

Dimensões do recorte: 501,6 mm x 296 mm com cantos arredondados de 6 mm
19 3/4 pol x 11 5/8 pol com cantos arredondados de 1/4 pol

Half Height Lid

Modelo B70056 - UL - 120 V CA - 1300 WATTS - 11 A

Modelo B70057 - 240 V CA - 1300 WATTS - 6 A

Dimensões totais:

533 mm x 305 mm x 102 mm (159 mm com a tampa)
21 pol x 12 pol x 4 pol (6 1/4 pol com a tampa)

O comprimento não inclui a conexão do dreno

Dimensões do recorte: 501,6 mm x 296 mm com cantos arredondados de 6 mm
19 3/4 pol x 11 5/8 pol com cantos arredondados de 1/4 pol

INSTALAÇÃO

Conteúdo do pacote

O seu Grill All Seasons® Grill já vem montado e pronto para uso. Antes de usar o grill, escreva aqui o número de série da sua unidade para referência futura: _____ . O número de série pode ser encontrado na lateral curta do grill na extremidade junto ao painel de controle de vidro. O número de série consiste de seis dígitos.

No conteúdo da embalagem você encontrará o Grill All Seasons®, quatro (4) parafusos de montagem, 0,9 m (3 pés) de mangueira de dreno, cotovelo ou bujão de dreno, dependendo se o grill for portátil ou embutido, manual e produto de limpeza de aço inoxidável. Se algum componente estiver faltando ou danificado, ligue para KENYON imediatamente.

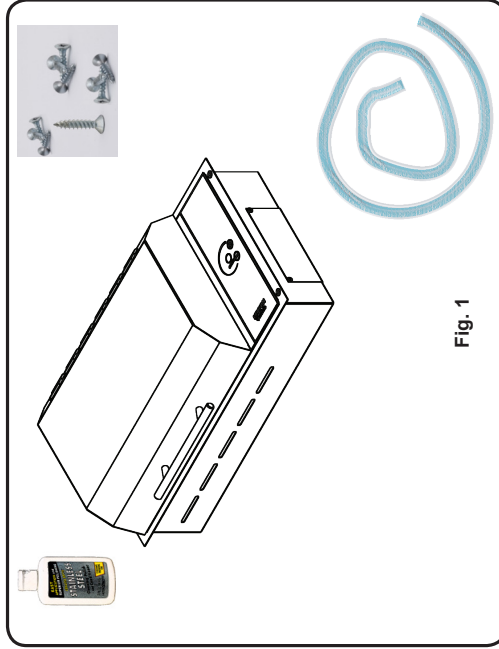


Fig. 1

Requisitos elétricos

Verifique os requisitos para alimentação elétrica

Este produto deve ser instalado de acordo com os códigos elétricos nacionais, estaduais e municipais. A tabela que segue fornece a tensão, corrente e frequência corretas que devem ser supridas para o grill.

A alimentação deve ser de um circuito aterrado independente protegido por um disjuntor e classificado de acordo com as especificações para o modelo conforme o mostrado na tabela abaixo.

KENYON Código do produto	Carga máx.	Fonte de alimentação	Tipo de plugue
B70050 B70056 B70060 B70062 B70080 B70082 B70085 B70090	1300 Watts	120 V CA 11 A 60 Hz	plugue de 3 pinos aterrado cabo com GFCI
B70051 B70057 B70061 B70067 B70081 B70086	1300 Watts	240 V CA 6 A 60 Hz	cabo de três condutores sem plugue

AVISO:
Se a alimentação elétrica não cumprir com as especificações do produto, consulte um electricista licenciado antes de prosseguir com a instalação!
Não remova o dispositivo com GFCI do cabo de alimentação sob nenhuma circunstância.

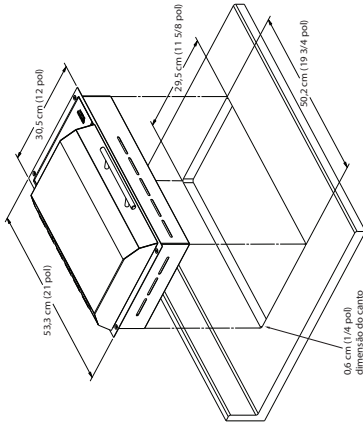
Instalação na bancada

Seu Grill Seasons® é fornecido de fábrica com um flange de aço inoxidável polido que aceita quatro parafusos de cabeça oval para montagem. A guarnição do flange do grill foi projetada para segura a unidade firmemente no lugar na bancada. Se desejar, poderá vedar a borda da bancada sob a guarnição do flange. **Use uma base macia que vai prevenir contra danos em caso**

de remoção futura para manutenção. Recomendamos um tipo de vedante não adesivo, como massa de encanador, espessura máxima com resistência à compressão de 1,6 mm (1/16 pol). O silicone pode ser usado para vedar apenas a borda do vidro, se desejado.

AVISO:

Deixe uma folga mínima de 2 polegadas (5 cm) entre a parte de baixo do grill e a superfície combustível situada abaixo, ou seja: a borda superior de uma gaveta instalada abaixo do grill (Fig. 3, página 12). Falhas em prover as folgas e ventilação apropriadas pode resultar em risco de incêndio.



DIMENSÕES do recorte da bancada

B70050 GRILL

Leia esta seção antes de fazer o recorte para o grill.

É importante planejar com antecedência para a instalação do grill, mantendo as seguintes dimensões em mente (consulte a Fig. 2 abaixo).

- A** - 33 cm (13 pol) de comprimento máximo dos armários acima
- B** - 91,4 cm (36 pol) de altura mínima da bancada acima do piso
- C** - A superfície lisa mínima da bancada em que o grill ficará apoiado deve ser igual ou superior às dimensões totais do grill (consulte a página 8 para obter as dimensões totais do grill).
- D** - 76,2 cm (30 pol) de folga mínima entre a parte de cima do grill e a parte de baixo de um armário de madeira ou metal desprotegido ou uma folga mínima de 61 cm (24 pol) quando a parte de baixo do armário de madeira ou metal está protegida com papel cartão com tratamento antichama com espessura mínima de 0,6 cm (1/4 pol) e revestida com chapa metálica de aço inoxidável MSG No. 28, 0,38 mm (0,015 pol) de espessura de aço inoxidável, 0,61 mm (0,024 pol) de espessura de alumínio ou 0,51 mm (0,020 pol) de espessura de cobre.
- E** - 10,2 cm (4 pol) no mínimo da rodabanca da bancada à borda do grill (consulte a página 8 para obter as dimensões totais do grill). 3,8 cm (1,5 pol) no mínimo a partir da frente da bancada ao grill.

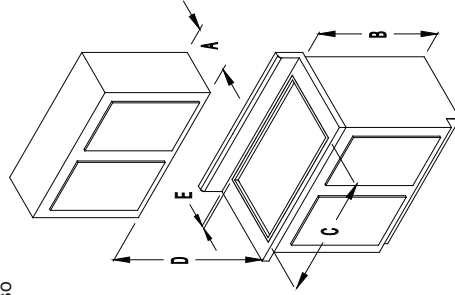


Fig. 2

PARA INSTALAÇÕES NO CANADÁ: "Não instale mais próximo do que 12 mm (1/2 pol) de qualquer superfície adjacente", e **NE PAS INSTALLER A'INDINS DE 12 MM (1/2 POL) DETOUTE SURFACE ADJACENTE.**

AVISO:

Para eliminar o risco de queimaduras por encostar no grill quente, deve-se evitar o espaço de armazenamento do armário situado acima do grill. Se o armazenamento do armário precisar ser fornecido, o risco pode ser reduzido instalando-se uma variedade de cobertura que proteja horizontalmente um mínimo de 12,7 cm (5 pol) além da parte inferior dos armários.

Antes de fazer o recorte da bancada, verifique as folgas. Certifique-se de que o grill terá folgas nas paredes frontais e laterais do armário base. Além disso, garanta a folga adequada da rodabanca para que a tampa possa abrir completamente.

Deve-se fornecer ventilação adequada no espaço abaixo da bancada para garantir a operação adequada do grill. O calor transferido do fundo da panela do grill durante a operação vai superaquecer uma área ventilada inadequadamente.

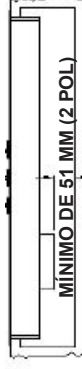


Fig. 3

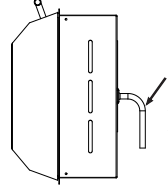
Ao fazer o recorte da bancada, arredonde o canto para ajudar a prevenir rachaduras no material da bancada. Um raio de 6 mm (1/4 pol) é o típico, mas siga as instruções do fabricante da bancada sobre o raio mínimo e qualquer tipo de reforço necessário para evitar danos à bancada com o tempo.

Se a sua bancada é feita de material com superfície sólida, você precisará verificar com o fabricante as recomendações específicas para as instruções de instalação de fogões e grelhas. A maioria dos fabricantes de bancada com superfície sólida requerem suportes de canto adicionais para evitar danos à bancada. Use os parafusos inclusos para prender o grill à bancada. Cuidado para não apertar demais os parafusos. Use um selante acrílico para vedar o flange na bancada.

Se a sua bancada for feita de pedra, você precisará usar um látex acrílico para montar o grill no lugar. Aplique um filete espesso de selante em volta da abertura do recorte e coloque o grill no lugar. Remova qualquer excesso de selante, use água para fazer esta remoção. Deixe o selante secar por no mínimo 24 horas sem permitir contato do mesmo com qualquer umidade. Não utilize os parafusos que vieram com o seu grill. O selante prenderá o grill com firmeza. Não use selante que contenha silicone, pois esse manchará a pedra.

Conexão do dreno

Para a sua conveniência, o grill é equipado com uma conexão de latão com rosca NPT de 3 mm (1/8 pol) e cotovelo de de latão de 90° para conectar a mangueira flexível com DI de 6 mm (1/4 pol) que vem com o grill. A versão portátil do grill vem com um bujão de latão instalado no encaixe do dreno. Se estiver usando seu grill como uma unidade portátil, guarde a mangueira e a conexão de latão de 90° para uma possível instalação no futuro.

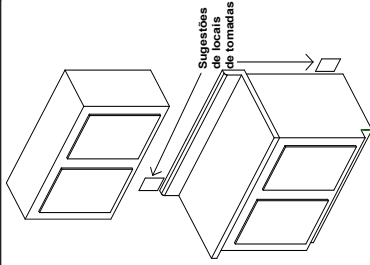


Conexão do dreno para a mangueira com DI de 6 mm (1/4 pol)

Fig. 4

Local da tomada

Certifique-se que a tomada elétrica destinada para o grill esteja em um local de fácil acesso. Isso permitirá que o usuário conecte e desconecte o grill com facilidade. Isso é necessário para garantir a limpeza e o armazenamento seguro do grill.



Preparações finais antes do uso

Remova a película plástica protetora da tampa, da guarda do flange e do painel de vidro. Limpe o grill antes do primeiro uso. Uma limpeza completa com o produto de limpeza para aço inoxidável ou vidro removerá quaisquer resíduos da película adesiva e óleos do fabricante.

Lave as grelhas com revestimento não adesivo com água morna e sabão antes de usar o grill.

OPERAÇÃO DO GRILL

NÃO USE ÁGUA PARA APAGAR O FOGO CAUSADO PELA GORDURA

Abafe o fogo ou chama, ou use extintor de incêndio de pó químico seco ou de espuma.

USE APENAS DESCANSOS PARA PAINELA SECOS

Usar descansos para painela molhados ou úmidos em superfícies quentes pode resultar em queimaduras causadas pelo vapor. Não deixe que o descanso para painela encoste na grelha ou na resistência do grill. Não use uma toalha ou outro pano volumoso no lugar de um descanso para painela.

NÃO COZINHE EM UMA GRELHA OU CHAPA QUEBRADA

Se a grelha estiver quebrada, a gordura ou óleo poderá entrar em contato direto com a resistência elétrica e criar um risco de choque elétrico ou fogo. Entre em contato com o centro de serviço ao cliente autorizado ou Atendimento ao Cliente da KENYON imediatamente pelo telefone (860) 664-4906.

LIMPE O GRILL COM CUIDADO

Se uma esponja ou pano molhado for usado para limpar resíduos em uma superfície quente, tome cuidado para evitar queimaduras por vapor. Alguns produtos de limpeza produzem fumaças nocivas quando aplicados a superfícies quentes. Leia o rótulo do produto de limpeza para obter informações antes de usá-lo.

NÃO TOQUE A RESISTÊNCIA ELÉTRICA OU A GRELHA

A resistência e a grelha permanecerão quentes por um tempo depois de usadas para cozinhar. Estes componentes devem esfriar primeiro e depois podem ser manipulados com cuidado e atenção durante a limpeza, pois podem estar quentes o suficiente para causar queimaduras graves.

LIMPE O GRILL APÓS CADA USO

Este aparelho está equipado com uma bandeja coletora removível e descartável. Esta bandeja **DEVE** ser removida e limpa após **TODO** e qualquer uso. Não permita que a gordura se acumule entre os cozimentos. As bandejas coletora e defletora **DEVEM** ser usadas ao grelhar no grill. O excesso de gordura pode penetrar no interior do grill, anulando sua garantia e oferecendo riscos de incêndio.

NUNCA DEIXE O GRILL SEM SUPERVISÃO QUANDO EM ALTA TEMPERATURA

A alta temperatura pode causar fumaça e incendiar a gordura.

NÃO LIMPE A UNIDADE COM ÁGUA PRESSURIZADA

Nunca limpe o grill com qualquer forma de água pressurizada ou outros tipos de produtos de limpeza. Fazer isso anulará a garantia e pode oferecer sério risco de choque elétrico. Sempre limpe o grill com um pano e um produto de limpeza de superfície para aço inoxidável ou vidro.

ARMAZENAMENTO

Se for usado como um grill portátil, guarde em local fechado quando não estiver em uso. Se for usado como um grill embutido, forneça proteção adequada para evitar exposição direta à chuva. Capas disponíveis.

PARA EVITAR FUMAÇA

Para evitar a formação de fumaça na bandeja na bandeja coletora, coloque 1 copo de água (ou a quantidade suficiente para cobrir o fundo da bandeja) na bandeja antes de grelhar.

NÃO USE PAINÉIS OU OUTROS UTENSÍLIOS DE COZINHA NO GRILL

GUARDE ESTAS INSTRUÇÕES COM O GRILL PARA REFERÊNCIA FUTURA.

Controle com tela de toque

INDICADOR DE LIGADO/DESLIGADO

Este visor indica se o grill está ligado ou desligado.

VISOR DE NÍVEL DE INTENSIDADE

Visor digital que indica a intensidade de calor do grill. As lâmpadas do indicador acompanham a variação do gráfico na tela. Existem oito níveis de calor possíveis.

(+) SENSOR DE INTENSIDADE

Tocar neste sensor aumentará a intensidade de calor do grill em um ponto a mais.

(-) SENSOR DE INTENSIDADE

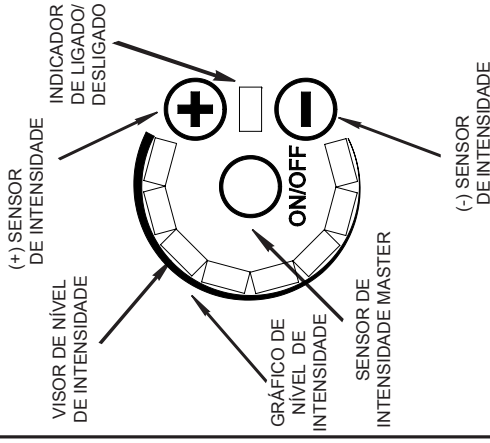
Tocar neste sensor diminuirá a intensidade de calor do grill em um ponto a menos.

GRÁFICO DE NÍVEL DE INTENSIDADE

Exibe o nível da intensidade de calor pela resistência. Esta linha varia de fino a grosso, indicando intensidade de baixa para alta.

SENSOR DE INTENSIDADE MASTER

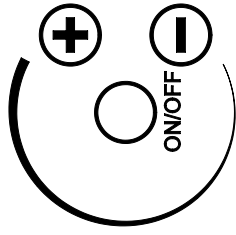
Este é o controle de intensidade principal para o grill. Tocar nele com o grill **DESLIGADO** ativará o controle e **LIGARÁ** o grill. Tocar nele com o grill **LIGADO** **DESLIGARÁ** o grill.



GRÁFICOS DE CONTROLE

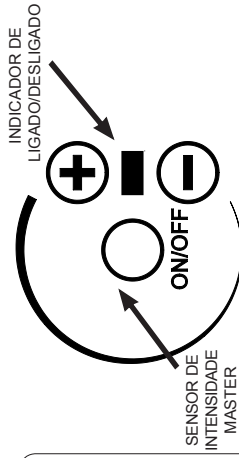
CALIBRAÇÃO

Na aplicação de energia elétrica ao grill, o controlador ativará um processo de autocalibração. Em seguida, o controlador soará uma confirmação sonora e o visor acenderá brevemente. Agora, o grill está pronto para uso.



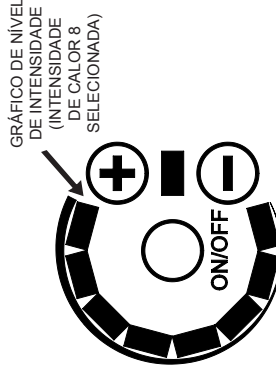
COMO LIGAR O GRILL

Para ligar o grill, toque e segure o Sensor de Intensidade Master por dois segundos. O controlador vai então soar um bipe e o Indicador de Ligado/Desligado acenderá.



AJUSTE DE INTENSIDADE DE CALOR

Seu grill KENYON possui 8 ajustes de intensidade de calor diferentes, de 1 a 8, selecionados através dos sensores (-) e (+). O ajuste de intensidade de calor é exibido conforme ilustrado à direita. A resistência de aquecimento alterna a intervalos de tempo diferentes para variar os níveis de calor. À medida em que a intensidade aumenta, a resistência permanece ligada por mais tempo, aumentando a temperatura de cozimento do grill.



COMO DESLIGAR O GRILL

Para desligar o grill, simplesmente **toque e segure** o Sensor de Intensidade Master por **dois segundos**. O controlador vai desenergizar e desligar a resistência.

EM UMA EMERGÊNCIA O GRILL DE 120 V PODE SER DESLIGADO PRESSIONANDO O BOTÃO "TESTE" (TEST) DO GFCI. CONSULTE A FIG. 5.

DESLIGAMENTO AUTOMÁTICO

O controle eletrônico do seu grill KENYON foi programado com a segurança em mente e possui um recurso de desligamento automático. O grill é programado para desligar automaticamente em um tempo pré-determinado após ser ligado (consulte a tabela abaixo). O controle também desligará caso alcance um limite pré-ajustado de temperatura. Se isto ocorrer, deixe o grill esfriar por 20 a 30 minutos.

TEMPO DE PRÉ-AQUECIMENTO E DESLIGAMENTO AUTOMÁTICO

O controle do grill possui uma função de pré-aquecimento que aplica potência total por um tempo determinado para cada ajuste de potência selecionado. Essa função de pré-aquecimento aquece a grelha/chapa à temperatura desejada mais rápido, permitindo um grelhado mais rápido. A tabela abaixo fornece o tempo de pré-aquecimento e o tempo de desligamento automático para cada ajuste de potência.

AJUSTES	PRÉ-AQUECIMENTO (min.)	DESLIGAMENTO AUTOMÁTICO (min.)
1	1	90
2	3	90
3	5	90
4	5	60
5	7	60
6	7	60
7	7	60
8	8	60

GUIA DE TEMPERATURA

O que segue serve como um guia para orientação. Fatores tais como vento, temperatura ambiente, temperatura do alimento colocado no grill podem afetar os tempos de cozimento. O grill foi desenvolvido e projetado para alcançar um ótimo desempenho de cozimento com a tampa baixa ou fechada.

AJUSTES	TIPOS DE ALIMENTOS
1	Ovos fritos na chapa
2	Panquecas - rabanada na chapa
3	Verduras
4	Verduras - Peixe
5	Peixe - Frango
6	Frango - Hambúrguer
7	Hambúrguer - Bifes
8	Bifes

Cabo de alimentação

ESTE DIZ RESPEITO APENAS AO MODELO DE 120 V

INTERRUPTOR DO CIRCUITO CONTRA FALHAS DE ATERRAMENTO (GFCI)

O GFCI é um dispositivo projetado para proteger o usuário contra qualquer risco de choque elétrico.

LUZ INDICADORA

A luz indicadora ficará acesa quando a energia elétrica for aplicada e indica que o GFCI está funcionando adequadamente.

BOTÃO DE TESTE E DESLIGAMENTO DE EMERGÊNCIA

Pressionar esse botão testará o GFCI. A luz indicadora apagará e a energia elétrica não será fornecida para o grill. O GFCI deve ser testado mensalmente.

BOTÃO DE REINICIALIZAÇÃO

Pressionar esse botão vai reinicializar o GFCI para a sua função normal. A lâmpada indicadora acenderá e o energia elétrica será fornecida para o grill. Se a lâmpada indicadora não acender, o GFCI detectou algum problema de funcionamento. Desconecte o GFCI do soquete e não utilize o grill.

PLUGUE DE 3 PINOS ATERRADO

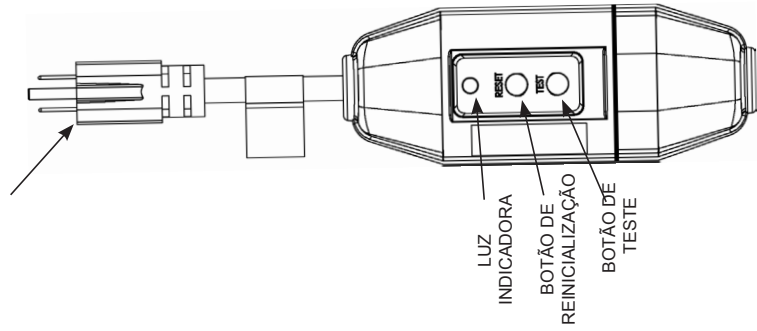
CUIDADO - Para garantir proteção contínua contra riscos de choque elétrico, o GFCI deve se conectado em um soquete com aterramento adequado.

NÃO USE EXTENSÕES ELÉTRICAS

MODELOS DE 240 V CIRCUITO CONTRA FALHA DE ATERRAMENTO

O circuito de tensão de alimentação (240 V) deve estar equipado com um interruptor de circuito contra falhas de aterramento. Verifique os códigos locais para conformidade.

PLUGUE DE 3 PINOS ATERRADO



INTERRUPTOR DO CIRCUITO CONTRA FALHAS DE ATERRAMENTO GFCI

Fig. 5

Peças do Grill

RESISTÊNCIA DE AQUECIMENTO

A resistência de aquecimento foi projetada para encaixar-se no eixo conforme ilustrado para remover/substituir a bandeja coletora e refletora. Ela ficará para cima. Para abaixar aplique pressão leve para baixo.

BANDEJA DEFELETORA

A bandeja defletora apoia a bandeja coletora de resíduos, a resistência de aquecimento e a grelha, e sempre deve ser usada ao operar o grill.

BANDEJA COLETORA DE RESÍDUOS

A bandeja coletora descartável coleta todos os resíduos gerados durante o processo de cozimento. A bandeja coletora deve ser esvaziada após cada uso. Ao recolocar a bandeja coletora, posicione a bandeja de forma que fique completamente presa dentro da bandeja defletora, assegurando-se de que a lateral ou a borda da bandeja não fique projetada para fora da bandeja defletora. (consulte a Fig. 6)

Para evitar que o conteúdo da bandeja coletora cause fumaça, coloque 1 copo de água (ou quantidade suficiente para cobrir o fundo da bandeja) na bandeja antes de grelhar. O código do produto para substituir a bandeja coletora descartável da Kenyon é B96001.

GRELHA

A grelha deve ser limpa após cada uso. A grelha possui um revestimento não adesivo para facilitar a limpeza. Lave a grelha após cada uso com água morna e sabão.

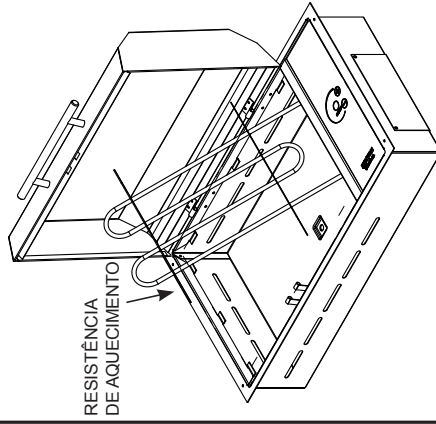
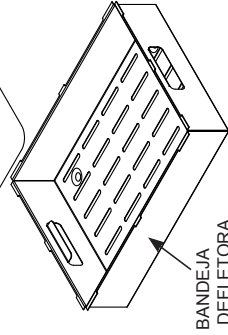
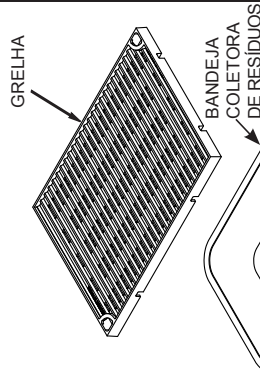
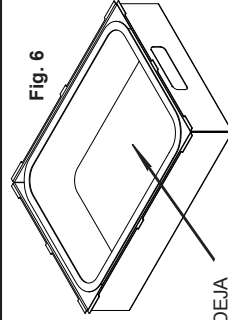


Fig. 6



A BANDEJA COLETORA DEVE FICAR DENTRO DA BANDEJA DEFELETORA CONFORME ILUSTRADO

Remoção da tampa

REMOÇÃO DA TAMPA

A tampa do grill pode ser removida para limpeza. Para remover a tampa, deslize o pino de liberação rápida da dobradiça. (consulte a Fig. 7)

Com o pino de liberação rápida removido, segure a tampa no lado esquerdo para tirá-la da dobradiça, e deslize-a até sair do pino da dobradiça à direita. (consulte a Fig. 8) Uma vez removida, a tampa pode ser lavada com água morna e sabão.

Fig. 7

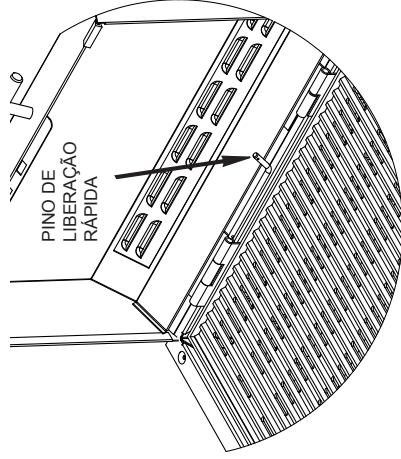
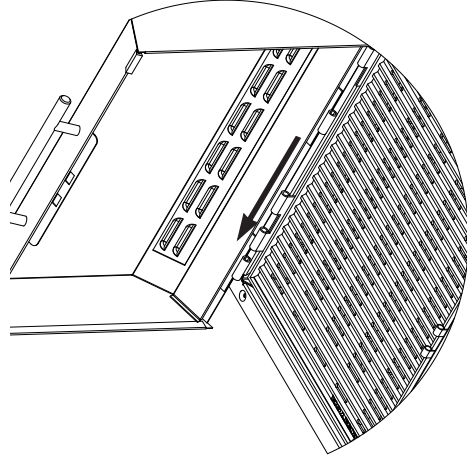


Fig. 8



Garantia

Kenyon International, Inc. (a "Empresa") garante que seus produtos, sob uso normal, estão isentos de defeitos referentes a materiais e acabamento, nas condições e limitações abaixo. Qualquer peça com defeito comprovado, sob uso normal, durante o período da garantia, será reparada ou substituída pela Empresa.

Essa garantia abrange determinados produtos feitos pela Empresa e está sujeita às seguintes condições e limitações:

1. A responsabilidade da Empresa está limitada a reparo e substituição (medida reparadora à escolha da Empresa) de produtos ou peças que apresentem defeito de material ou fabricação. Essa responsabilidade está limitada a três anos a partir da data da instalação original ou 42 meses após a data da fatura, o que acontecer primeiro; essa garantia cobre peças e mão-de-obra a taxas aprovadas pela Empresa, de US\$ 75 por hora.
2. A determinação da conformidade do produto para o uso contemplado pelo comprador é de exclusiva responsabilidade do Comprador e a Empresa não terá qualquer responsabilidade relacionada a tal conformidade.
3. A Empresa não será responsável por quaisquer danos resultantes de:
 - falhas devido ao uso do produto em aplicações para objetivos não projetados para tal produto;
 - falhas devido a corrosão, desgaste e rachaduras, abuso ou instalação ou manutenção inadequadas.
4. A Empresa será responsável pelas taxas de transporte por terra até o local de aplicação (casa) no território dos Estados Unidos e Canadá. Quaisquer impostos ou taxas de envio expresso ou especial são da responsabilidade do Comprador.
5. Toda mão-de-obra permitida pela Empresa sob esta garantia deve ser realizada pelo Centro de Serviço Internacional Autorizado da Kenyon, salvo outra indicação especificada por escrito por parte da Empresa.
6. Esta garantia não cobre o custo de reparo ou substituição devido a danos em qualquer superfície de vidro, grelhas ou chapas.

NÃO EXISTE QUALQUER OUTRA GARANTIA DE COMERCIALIZAÇÃO QUE ATENDA À FINALIDADE A QUE SE DESTINA OU A QUALQUER OUTRA, EXPRESSA OU IMPLÍCITA, E NENHUMA DEVE SER IMPLICADA PELA LEI. A duração de qualquer uma destas garantias que de fato são implicadas pela lei para o benefício de um consumidor, deve ser limitada a um período de três anos a partir da compra original pelo usuário. Alguns países não permitem limitações sobre quanto tempo uma garantia pode durar, assim esta limitação pode não se aplicar a você.

A EMPRESA NÃO SERÁ RESPONSÁVEL POR DANOS CONSEQUENCIAIS OU ACIDENTAIS DECORRENTES DA QUEBRA DESTA GARANTIA, SEJA DE FORMA EXPRESSA, IMPLÍCITA OU LEGAL. Alguns países ou estados não permitem a exclusão ou limitação de danos consequenciais ou acidentais, portanto esta limitação ou exclusão pode não se aplicar a você.

ESTA GARANTIA LHE CONCEDE DIREITOS LEGAIS ESPECÍFICOS E PODE INCLUIR OUTROS DIREITOS LEGAIS DEPENDENDO DO PAÍS OU ESTADO.

Kenyon International, Inc.
Caixa Postal 925 • 8 Heritage Park Road • Clinton, CT 06413 EUA
Telefone: (860) 664-4906 FAX: (860) 664-4907

MEDIDAS IMPORTANTES DE SEGURIDAD

Al usar electrodomésticos eléctricos, se deberían seguir siempre precauciones básicas de seguridad, incluyendo lo siguiente:

1. Lea TODAS las instrucciones antes de usar el producto.
2. No toque las superficies calientes. Use las asas o los perillas.
3. Protéjase contra descarga eléctrica, no sumerja el cable ni los enchufes en agua ni en ningún otro líquido.
4. Es necesaria supervisión de cerca cuando cualquier electrodoméstico se usa cerca de niños.
5. Desenchufe el electrodoméstico de la toma cuando no esté en uso y antes de limpiarlo. Deje que se enfríe antes de agregar o retirar partes.
6. No opere el electrodoméstico con un cable o un enchufe dañado. Si el electrodoméstico funciona mal, deje de utilizarlo y contacte con el distribuidor de electrodomésticos autorizado más cercano o con la fábrica para que lo revisen, reparen o ajusten.
7. El uso de accesorios no suministrados por el fabricante del electrodoméstico puede ocasionar lesiones.
8. Al usarlo como grill portátil, guárdelo bajo techo cuando no esté en uso. Al usarlo como grill integrado, hay que colocarlo en un lugar resguardado para que no esté directamente expuesto a la lluvia. Hay cubiertas disponibles.
9. No deje que el cable cuele por el borde de la mesa o el mostrador, ni que toque superficies calientes.
10. No lo coloque sobre o cerca de un hornillo de gas o eléctrico caliente o sobre un horno calentado.
11. Debe tener mucho cuidado al mover un electrodoméstico que contenga aceite caliente u otros líquidos calientes.
12. Conecte siempre primero el enchufe en el electrodoméstico antes de enchufarlo en la toma de corriente. Para desconectarlo, coloque todos los controles en posición apagado y saque el enchufe de la toma de corriente.
13. No use el electrodoméstico para usos distintos al uso para el que está concebido.
14. Vierta siempre un mínimo de una (1) taza de agua en una bandeja de goteo desechable antes de operar el grill.
15. Nunca deje a los niños solos: los niños no deberían dejarse alrededor del grill sin la supervisión de un adulto en ningún momento.
16. Deje que el grill se enfríe antes de sacar la parrilla de cocción, la bandeja de goteo desechable o las tapas.
17. Con este electrodoméstico no hay que usar combustible, como briquetas de carbón.
18. Asegúrese de que el grill sea instalado según las instrucciones y conectado debidamente a tierra por un electricista calificado.
19. No reemplace ni intente reparar ninguna pieza del grill, salvo que así se indique en este manual. Todas las demás reparaciones tienen que ser llevadas a cabo por un técnico autorizado por el fabricante.
20. No use agua para apagar un incendio provocado por grasa, use un extintor de polvo químico seco.
21. No guarde materiales inflamables cerca del grill.
22. No utilice ropa suelta ni accesorios colgantes al usar el grill.

**LEER ESTAS INSTRUCCIONES EN SU TOTALIDAD
ANTES DE LA INSTALACIÓN Y USO.
CONSERVAR ESTAS INSTRUCCIONES**

CÓMO USAR EL GRILL

REMOVE & READ PRIOR TO GRILLING

QUICK START TIPS

Thank you for purchasing the World's Finest All Seasons® Electric Grill! There are a few simple steps you can take to ensure your good decision will lead to years of World-Class Grilling:

VISIT OUR WEBSITE
to purchase recipe books, cooking utensils, grillware, grill covers, and more!

1. Remove grill's cord into 3-prong electrical outlet.
2. Insert the cord into the bottom of grill. Make sure the power switches are not hanging from the 3-prong.
3. Always fill the grill tray(s) with 1/2 cup of liquid. Water will work, but any fruit fly beer or wine will also flavor your favorite food. Never include cooking grease.
4. Depending on what other burners your Kenyon All Seasons® Gas or Propane Grill is plugged directly into, adjust burner and/or burner valves.
5. Preheat grill for 5 to 10 minutes on High (8 bars). Adjust heat setting for type of food.
For example:
-Nonstick 3-4 bars
-Pork and ribs 4-5 bars
-Steaks 6-7 bars
-Burgers 8-9 bars
6. Check the food. Every 10-15 min. grill food for your desired level of doneness.
7. Once your grilling session concludes, grill area will power down and shutdown your grill. (If temperature drops with the grill power, do NOT touch the grill for the next hour of safety.)
- If temperature drops with the grill power, do NOT touch the grill for the next hour of safety.
8. While the grill is in the wash, don't forget to clean out the grill tray contents. You don't want your previous meals to flavor your next meal.

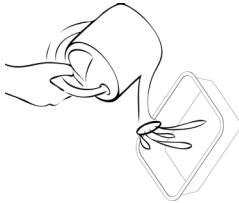
www.cookwithkenyon.com | 1.888.884.4906 f t

**EL ENCARTE ANTERIOR ESTÁ UBICADO
DEBAJO DE LA TAPA DE SU GRILL.
POR FAVOR, LÉALO Y RETÍRELO
ANTES DE USAR EL GRILL.**

1. Antes de usar su grill, saque la parrilla de cocción y la bandeja de goteo del grill. Lave el grill con agua caliente y jabón usando un paño no abrasivo. **AL ASAR A LA PARRILLA, USE SOLO UTENSILIOS DE PLÁSTICO PARA ALTA TEMPERATURA.** Visite nuestro sitio web para comprar un juego de utensilios de alta calidad para el grill, hechos de acero inoxidable/plástico para alta temperatura, www.cookwithkenyon.com.

2. Asegúrese de que la bandeja de goteo esté insertada completamente hasta el fondo del grill y que los soportes de los elementos eléctricos reposan sobre el soporte de apoyo para elementos.

3. Cubra el fondo de la bandeja de goteo con un líquido. Se puede usar agua. **¡NO USE UN LÍQUIDO INFLAMABLE!** Hacerlo arruinaría la barbacoa. Usar jugo de manzana al asar cerdo añade un agradable sabor a la carne. Una lata de gasosa con lima va estupenda si está asando pescado. Pruebe cualquier tipo de líquido que le guste tomar. **¡Simplemente recuerde añadir siempre líquido a la bandeja de goteo antes de asar a la parrilla.**



4. Para que no se produzca humo, limpie siempre la superficie de la parrilla después de cada uso. Simplemente lave con agua caliente y jabón usando un paño no abrasivo o colóquela en el lavavajillas. Vacíe la bandeja de goteo y límpiela con una toalla de papel húmeda. La bandeja de goteo se puede usar varias veces antes de que sea necesario reemplazarla.



5. Coloque la parrilla de cocción o plancha opcional (nº de pieza B96000) en el elemento con la bandeja de goteo instalada. Use la plancha para alimentos como los huevos, panqueques o mi plato favorito; ¡tostadas francesas rellenas!

6. Precaliente el grill durante 5 a 9 minutos a fuego alto (8 barras iluminadas). Regule el ajuste de calor según el tipo de alimento.

- Bistec 7-8 barras
- Hamburguesas 6-7 barras
- Cerdo y pescado 4-5 barras
- Verduras 3-4 barras

7. Cierre la tapa y ase. ¡Disfrute de la mejor comida a la parrilla que jamás haya probado!

8. Limpie el grill. Esto es fácil de hacer, como pronto descubrirá. Una vez que el grill se haya enfriado al tacto, tome unas pocas toallas de papel y colóquelas sobre la superficie de la parrilla de cocción. Vierta aproximadamente una onza de agua en las toallas de papel y luego, usando sus pinzas de nylon para alta temperatura, frote con las toallas de papel para aflojar los residuos de su grill. Tire las toallas de papel y limpie la parrilla con una toalla de papel seca.

9. Una vez que la parrilla se haya enfriado lo suficiente, retírela y colóquela en su lavavajillas para limpiarla a fondo.

10. Con la parrilla retirada, levante el elemento eléctrico y saque la bandeja de goteo. Vacíe el contenido de la bandeja de goteo en un lugar adecuado, evite verterlo en el césped de su vecino. Limpie la bandeja con una toalla de papel seca y reutilice la bandeja. La bandeja puede durar para varios usos.

11. Lave la tapa cada 7-8 usos. La puede colocar en su lavavajillas y lavar con el ciclo para ollas y sartenes. Esto hará que su parrilla se vea como nueva.

12. Para limpiar el grill, asegúrese primero de que la superficie de cocción se haya enfriado lo suficiente como para tocarla. A continuación retire la parrilla, levante el elemento eléctrico hasta que encaje en la posición levantada y saque la bandeja de goteo.

13. Limpie las superficies de acero inoxidable con un paño húmedo para retirar cualquier residuo de usos anteriores.

14. Su grill Kenyon viene con una botella de muestra de limpiador para acero inoxidable. Use este limpiador una vez al mes para que su grill se siga viendo como nuevo.



15. El área de control táctil es vidrio de cerámica que está sellado para que no le afecten los efectos de la lluvia, la nieve o el hielo. Para limpiar el vidrio, use un limpiador de cristales y un trapo suave. Si aparecen manchas, use un limpiador de vidrio de cerámica que pueda comprar en su supermercado local.

Tostadas francesas rellenas

16 rebanadas Pan rebanado fino "de cualquier tipo que no sea blanco"
0,45 kg (1 lb.) Queso crema (suavizado)
½ taza Conserva de melocotón (o su favorita)
4 cda. de mantequilla

Empanado de las tostadas francesas:

- 5 Huevos grandes completamente batidos
- 1 taza de leche
- 1 cda. de canela molida
- ½ cda. de pimienta inglesa molida
- ½ cda. de cilantro molido
- 60 ml (2 oz.) de agua (ron dorado, opcional)

En un bol grande, bata los huevos con un batidor de alambre. Agregue la leche y bata de nuevo hasta que se incorpore. En un bol más pequeño por separado vierta el agua o ron (si lo prefiere) y agregue los ingredientes secos, mezcle bien. Después de mezclar los ingredientes secos, agréguelos a la mezcla de huevos y leche y bata de nuevo hasta que esté bien mezclado. De esta manera se evita los grumos que se producen al preparar el empanado.

Método de preparación:

Para ello será necesario el uso de su plancha. Precaliente su "grill All Seasons®" a fuego medio alto (6 barras) durante unos diez minutos.

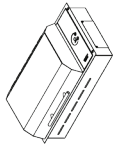
Una vez que el queso crema se haya suavizado, mézclelo con la conserva de melocotón. Divida en partes iguales sobre ocho rebanadas de pan y extiéndalo de forma uniforme. Coloque las ocho rebanadas restantes encima para hacer un sandwich. Cuando su plancha se haya precalentado, agregue dos cucharadas de mantequilla y muévalas para cubrir la plancha. Reserve el resto de la mantequilla para las tostadas francesas resistentes. Tome el sandwich y sumérjalo en la mezcla, dele la vuelta para cubrir ambos lados del pan.

Hágalo rápidamente con tres "sandwiches" más. Ahora tendrá cuatro tostadas francesas rellenas en su plancha.

Tenga cuidado de no quemarse. Dele la vuelta a los sandwiches y continúe cocinando hasta que ambos lados se hayan tostado bien.

Ahora puede servirlos con jarabe de maple calentado en su punto y mantequilla o puede colocarlos en un horno a baja temperatura para que sigan calientes hasta que termine de preparar las tostadas francesas que quedan.

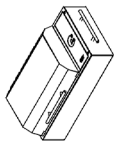
ESPECIFICACIONES DEL PRODUCTO



Frontier
Modelo B70050 - UL - 120 V CA - 1300 W - 11 A
Modelo B70051 - 240 V CA - 1300 W - 6 A

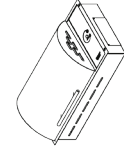
Dimensiones generales: 533 mm x 305 mm x 102 mm (187 mm con tapa)
 21" x 12" x 4" (7 3/8" con tapa)

La profundidad no incluye el racor de desagüe
 Dimensiones de corte: 501,6 mm x 296 mm con esquinas de 6 mm de radio
 19 3/4" x 11 5/8" con esquinas de un 1/4" de radio



Portátil
Modelo B70090 - UL - 120 V CA - 1300 W - 11 A

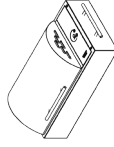
Dimensiones generales: 533 mm x 305 mm x 219 mm
 21" x 12" x 8 5/8"



Floridian
Modelo B70080 - UL - 120 V CA - 1300 W - 11 A
Modelo B70081 - 240 V CA - 1300 W - 6 A

Dimensiones generales: 533 mm x 305 mm x 102 mm (206 mm con tapa)
 21" x 12" x 4" (8 1/8" con tapa)

La profundidad no incluye el racor de desagüe
 Dimensiones de corte: 501,6 mm x 296 mm con esquinas de 6 mm de radio
 19 3/4" x 11 5/8" con esquinas de un 1/4" de radio



Portátil
Modelo B70082 - UL - 120 V CA - 1300 W - 11 A

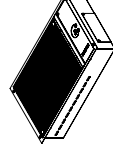
Dimensiones generales: 533 mm x 305 mm x 238 mm
 21" x 12" x 9 3/8"



Rio
Modelo B70085 - UL - 120 V CA - 1300 W - 11 A
Modelo B70086 - 240 V CA - 1300 W - 6 A

Dimensiones generales: 584 mm x 397 mm x 102 mm (206 mm con tapa)
 23" x 15 5/8" x 4" (8 1/8" con tapa)

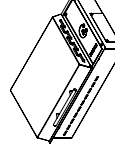
La profundidad no incluye el racor de desagüe
 Dimensiones de corte: 501,6 mm x 296 mm con esquinas de 6 mm de radio
 19 3/4" x 11 5/8" con esquinas de un 1/4" de radio



No Lid
Modelo B70060 - UL - 120 V CA - 1300 W - 11 A
Modelo B70061 - UL - 240 V CA - 1300 W - 6 A
Modelo B70062 - UL - 120 V CA - 1300 W - 11 A
Modelo B70067 - 240 V CA - 1300 W - 6 A

Dimensiones generales: 533 mm x 305 mm x 102 mm
 21" x 12" x 4"

La profundidad no incluye el racor de desagüe
 Dimensiones de corte: 501,6 mm x 296 mm con esquinas de 6 mm de radio
 19 3/4" x 11 5/8" con esquinas de un 1/4" de radio



Half Height Lid
Modelo B70056 - UL - 120 V CA - 1300 W - 11 A
Modelo B70057 - 240 V CA - 1300 W - 6 A

Dimensiones generales: 533 mm x 305 mm x 102 mm (159 mm con tapa)
 21" x 12" x 4" (6 1/4" con tapa)

La profundidad no incluye el racor de desagüe
 Dimensiones de corte: 501,6 mm x 296 mm con esquinas de 6 mm de radio
 19 3/4" x 11 5/8" con esquinas de un 1/4" de radio

INSTALACIÓN

Contenido del paquete

Su grill All Seasons® viene montado y listo para usar. Antes de usar el grill anote el número de serie de su unidad aquí para consultas futuras: _____ . El número de serie se puede encontrar en el lado corto del grill en el extremo del panel de control de vidrio. El número de serie consta de seis dígitos.

La caja de envío contiene el grill All Seasons®, cuatro (4) tornillos de montaje, 0,9 m (3 pies) de manguera de desagüe, un racor acodado o un tapón de desagüe dependiendo de si es portátil o integrado, el manual y limpiador para acero inoxidable. Si hay un componente dañado, o falta alguno, llame inmediatamente a KENYON.

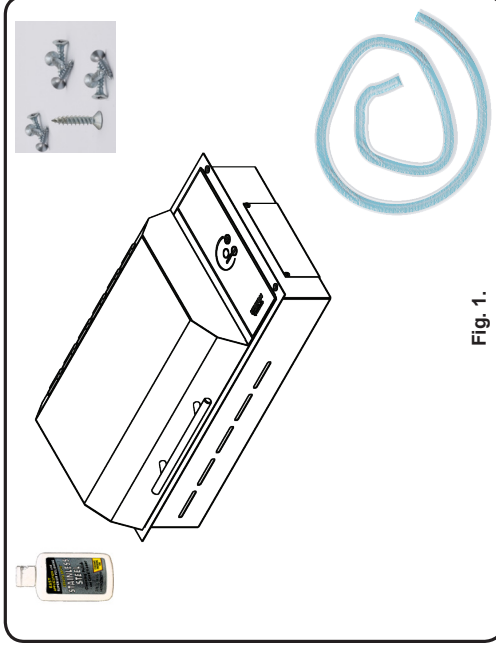


Fig. 1.

Requisitos eléctricos

Comprobar los requisitos de alimentación eléctrica

Este producto deberá instalarse de conformidad con los códigos eléctricos nacionales, estatales y locales. En la tabla siguiente se proporciona el voltaje, amperaje y frecuencia que se deberán suministrar al grill.

La alimentación deberá provenir de un circuito individual conectado a tierra que esté protegido por un disyuntor y con capacidad nominal conforme a las especificaciones del modelo que se muestran en la tabla a continuación.

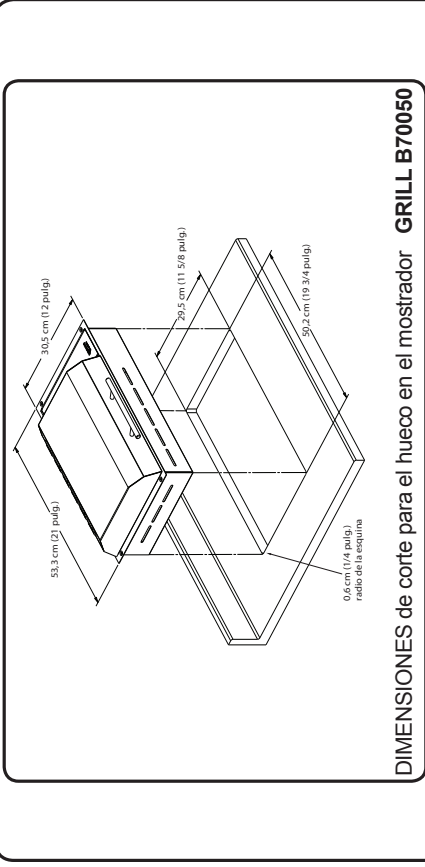
KENYON N° de pieza	Carga máx.	Fuente de alimentación	Tipo de enchufe
B70050 B70056 B70060 B70062 B70080 B70082 B70085 B70090	1300 W	120 V CA 11 A 60 Hz	Cable con conexión a tierra con enchufe de 3 terminales con ICFT
B70051 B70057 B70061 B70067 B70081 B70086	1300 W	240 V CA 6 A 60 Hz	Cable de 3 hilos sin enchufe

ADVERTENCIA:
Si la alimentación eléctrica no cumple las especificaciones del producto, consulte a un electricista certificado con licencia antes de proceder a la instalación. No retire el dispositivo ICFT del cable de alimentación suministrado bajo ninguna circunstancia.

Instalación sobre un mostrador

Su grill All Seasons® viene de fábrica con una brida de acero inoxidable pulido que acepta cuatro tornillos de madera de cabeza ovalada para el montaje. La brida de acabado del grill está diseñada para retener firmemente la unidad en su lugar en el mostrador. Si lo desea, puede sellar el borde del mostrador por debajo de la brida de acabado. **Usar un compuesto de sellado que evite el daño en caso de que posteriormente se necesite quitar el grill para repararlo. Recomendamos un tipo de sellador no adhesivo, como masilla de plomería, - reducción de espesor máximo a compresión de 1,6 mm (1/16 pulg.).** Puede usar silicona para sellar solo el borde de vidrio, si lo desea.

ADVERTENCIA:
Dejar un espacio libre de 51 mm (2 pulg.) entre el fondo del grill y la superficie de combustible que esté por debajo, por ejemplo: el borde superior de una gaveta colocada debajo del grill (Fig. 3 en la página 12). No facilitar la debida ventilación y holgura puede dar lugar a un peligro de incendio.



Leer esta sección antes de hacer el hueco para el grill.

Es importante planear con antelación la instalación del grill, teniendo presentes las siguientes dimensiones (vea la Fig. 2 a continuación).

- A** - 33 cm (13 pulgadas) de profundidad como máximo para armarios altos
- B** - 91,4 cm (36 pulgadas) como altura mínima del mostrador a partir del piso
- C** - La superficie plana mínima del mostrador sobre la que descansará el grill deberá ser igual o mayor que las dimensiones generales del grill (consulte en la página 8 las dimensiones generales del grill).
- D** - 76,2 cm (30 pulg.) de espacio libre como mínimo entre la parte superior del grill y el fondo de cualquier armario de madera o metal no protegido o 60,9 cm (24 pulgadas) de separación como mínimo si el fondo del armario de madera o metal está protegido con un cartón ignífugo de no menos de 0,6 cm (1/4 de pulg.) de espesor recubierto, como mínimo, con una lámina de 28 MSG (calibre estándar del fabricante) de 0,38 mm (0,015 pulg.) de acero inoxidable, 0,61 mm (0,024 pulg.) de aluminio o 0,51 mm (0,020 pulg.) de cobre.
- E** - 10,2 cm (4 pulg.) como mínimo del protector contra salpicaduras del mostrador al borde del grill (consulte en la página 8 las dimensiones generales del grill), 3,8 cm (1,5 pulg.) como mínimo desde la parte delantera del mostrador hasta el grill.

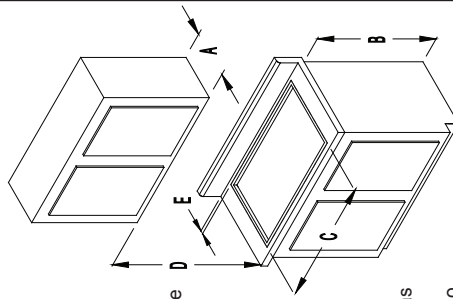


Fig. 2.

PARA INSTALACIONES EN CANADÁ: "No instalar a una distancia inferior a 12 mm (1/2 pulg.) de cualquier superficie contigua" y **NE PAS INSTALLER A'NDINS DE 12MM DETOUTE SURFACE ADJACENTE.**

ADVERTENCIA:

Se debería evitar el espacio de almacenamiento en armarios encima del grill para eliminar el riesgo de quemaduras al alcanzar algo. Si tiene que haber almacenamiento en armarios, el riesgo puede reducirse instalando una campana de cocina cuya proyección horizontal sobresalga un mínimo de 127 mm (5 pulgadas) por fuera del fondo de los armarios.

Antes de hacer un hueco en el mostrador, compruebe la holgura o espacio libre. Compruebe que el grill pasará por la pared frontal y las paredes laterales del armario de base. Compruebe también que el espacio hasta el protector contra salpicaduras sea correcto para que la tapa se pueda abrir por completo.

Debe facilitarse ventilación adecuada al espacio debajo del mostrador para asegurar la debida operación del grill. El calor que transmite la bandeja al fondo del grill durante su operación recalentará cualquier área mal ventilada.



Fig. 3.

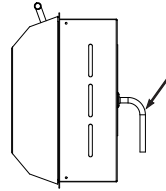
Al cortar el hueco en el mostrador, corte la esquina en radio para ayudar a evitar que el mostrador se agriete. Un radio de 6 mm (1/4 de pulg.) es lo normal, pero siga las instrucciones del fabricante del mostrador con respecto al radio mínimo y acerca de cualquier refuerzo necesario para prevenir daños en el mostrador con el paso del tiempo.

Si su mostrador está hecho de material macizo necesitará comprobar con el fabricante si existen recomendaciones específicas para las instrucciones de instalación de la placa de cocina y el grill. La mayoría de fabricantes de mostradores de superficie maciza requieren soportes adicionales en las esquinas para prevenir daños en el mostrador. Use los tornillos incluidos para fijar el grill al mostrador. Tenga cuidado de no apretar demasiado los tornillos. Use una masilla acrílica para sellar la brida en el mostrador.

Si su mostrador está hecho de piedra, necesitará usar un látex acrílico para montar el grill en su lugar. Aplique una línea grande de masilla alrededor de la apertura cortada y coloque el grill en su lugar. Retire cualquier exceso de masilla, use agua para retirar la masilla en exceso. Deje que la masilla se seque durante un mínimo de 24 horas sin permitir que se moje. No use los tornillos que vinieron con su grill. La masilla retendrá el grill de forma segura. No use masilla que contenga sílica, ya que esto manchará la piedra.

Conexión de desagüe

Para su comodidad, el grill está equipado con un racor para tuberías de latón de 3 mm (1/8 pulg. NPT) y un codo de latón de 90° que puede acoplarse a la manguera flexible de un D.I. de 6 mm (1/4 pulg.) que vino con su grill. La versión portátil del grill viene con un tapón de tubería de latón instalado en el racor de desagüe. Si está usando su grill como unidad portátil, guarde la manguera y el racor de latón de 90° para instalación posible en el futuro.

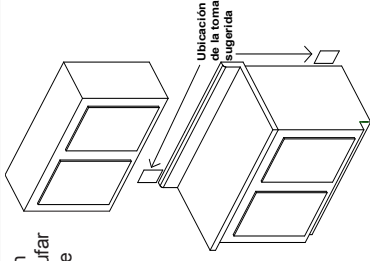


Racor de desagüe para manguera con un D.I. de 6 mm (1/4 pulg.)

Fig. 4

Ubicación de la toma

Asegúrese de que la toma de corriente destinada al grill esté en un lugar de fácil acceso. Esto permite al usuario enchufar y desenchufar fácilmente el grill. Es necesario asegurarse de limpiar y guardar de manera segura el grill.



Preparativos finales antes del uso

Quite la película protectora de la tapa, la brida de acabado y el panel de vidrio. Limpie el grill antes de usarlo por primera vez. Una limpieza a fondo con un limpiador para acero inoxidable o vidrio retirará cualquier resto de adhesivo de la película de plástico y de los aceites de fabricación.

Lavar la parrilla antiadherente con agua caliente y jabón antes de usar el grill.

FUNCIONAMIENTO DEL GRILL

NO USAR AGUA EN FUEGOS PROVOCADOS POR GRASA

Cubrir el fuego o la llama, o usar extintor de polvo químico seco o de espuma.

USAR SOLO AGARRAOLLAS SECOS

Los agarraollas húmedos o mojados colocados encima de las superficies calientes pueden producir quemaduras por el vapor. No dejar que el agarraollas toque la parrilla o elemento del grill. No usar toallas ni ningún otro paño grande en lugar de un agarraollas.

NO COCINAR EN UN GRILL O UNA PARRILLA O PLANCHA ROTAS

Si la parrilla se rompiere, la grasa y los aceites podrían entrar en contacto directo con el elemento eléctrico y crear un riesgo de descarga eléctrica o incendio. Comunicarse inmediatamente con un centro de servicio autorizado o llamar a Atención al Cliente de KENYON al (860) 664-4906.

LIMPIAR EL GRILL CON PRECAUCIÓN

Si se usa una esponja o paño para limpiar los derrames sobre una superficie de cocción caliente, tener mucho cuidado para evitar quemaduras por el vapor. Algunos limpiadores producen humos nocivos al aplicarlos a una superficie caliente. Leer la etiqueta del limpiador antes de usarlo.

NO TOCAR EL ELEMENTO TÉRMICO O LA PARRILLA

El elemento térmico y la parrilla estarán calientes durante algún tiempo después de cocinar. Se debería dejar que estos componentes se enfríen y a continuación se pueden manipular con cuidado y precaución durante la limpieza, ya que pueden estar suficientemente calientes como para provocar quemaduras.

NO TOCAR EL ELEMENTO TÉRMICO O LA PARRILLA

El elemento térmico y la parrilla estarán calientes durante algún tiempo después de cocinar. Se debería dejar que estos componentes se enfríen y a continuación se pueden manipular con cuidado y precaución durante la limpieza, ya que pueden estar suficientemente calientes como para provocar quemaduras.

LIMPIAR EL GRILL DESPUÉS DE CADA USO

Este electrodoméstico está equipado con una bandeja de goteo extraíble y desechable. Esta bandeja DEBE extraerse y limpiarse después de CADA uso. No permitir que la grasa se acumule entre sesiones de cocina. La bandeja de grasa y la bandeja defleora **DEBEN** usarse al cocinar en el grill. Una cantidad excesiva de grasa puede derramarse en el interior del grill, anulando la garantía y ocasionando un peligro de incendio.

NO DEJAR NUNCA EL GRILL SIN VIGILANCIA CUANDO ESTÉ PUESTO A FUEGO ALTO

El ajuste de fuego alto puede provocar mucho humo y encender la grasa.

NO LIMPIAR LA UNIDAD CON AGUA PRESURIZADA

No limpie el grill con ningún tipo de agua presurizada u otros tipos de limpiadores. Si lo hace, anulará la garantía y puede ocasionar un grave riesgo de descarga eléctrica. Limpiar siempre el grill con un paño y un limpiador de superficies de acero inoxidable o vidrio.

ALMACENAMIENTO

Al usarlo como grill portátil, guárdelo bajo techo cuando no esté en uso. Al usarlo como grill integrado, hay que colocarlo en un lugar resguardado para que no esté directamente expuesto a la lluvia. Hay cubiertas disponibles.

PARA PREVENIR EL HUMO

Para prevenir que el contenido de la bandeja de grasa despidan humo, vierta una taza de agua (o suficiente para cubrir el fondo de la bandeja) en la bandeja de grasa antes de cocinar.

NO USAR OLLAS NI OTROS MOLDES EN EL GRILL

CONSERVAR ESTAS INSTRUCCIONES CON EL GRILL PARA CONSULTAS FUTURAS

Control táctil

INDICADOR DE ENCENDIDO

Esta pantalla indica si el grill está encendido o apagado.

PANTALLA DE NIVEL DE POTENCIA

La pantalla digital indica lo alto o bajo que está el fuego del grill. Las lámparas indicadoras siguen el barrido del gráfico en pantalla. Hay ocho niveles de fuego posibles.

SENSOR DE POTENCIA (+)

Touchar este sensor aumentará el fuego del grill en incrementos de uno.

SENSOR DE POTENCIA (-)

Touchar este sensor reducirá el fuego del grill en incrementos de uno.

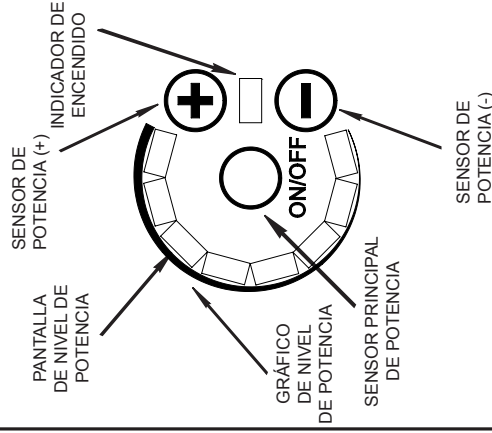
GRÁFICO DE NIVEL DE POTENCIA

Muestra el nivel de fuego por elemento. La línea va de gruesa a fina, indicando fuego lento a fuego alto.

SENSOR PRINCIPAL DE POTENCIA

Este es el mando principal de potencia para el grill. Toucharlo con el grill apagado activará el controlador y encenderá el grill. Toucharlo con el grill encendido apagará el grill.

GRÁFICOS DE CONTROL

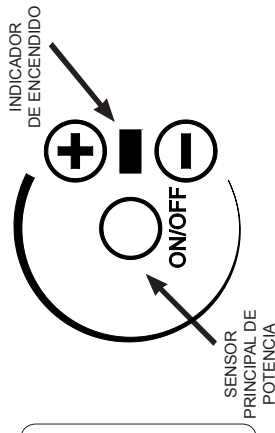


CALIBRACIÓN

Tras encender el grill, el controlador ejecutará un proceso de autocalibración. A continuación el controlador emitirá un tono de confirmación audible y la pantalla se iluminará brevemente. Ahora el grill está listo para ser utilizado.

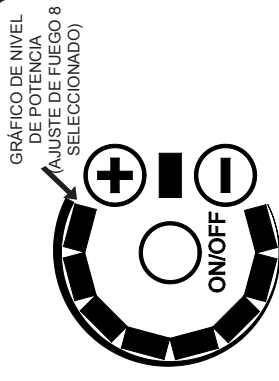
ENCENDIDO DEL GRILL

Para encender el grill, tocar y mantener oprimido el sensor principal de potencia durante dos segundos. Entonces el controlador pitará y el indicador de encendido se iluminará.



AJUSTES DEL FUEGO

Su grill KENYON tiene 8 ajustes de fuego diferentes, del 1 al 8, y se seleccionan con los sensores (-) y (+). El ajuste de fuego se muestra como se indica a la derecha. El elemento térmico se enciende y se apaga a diferentes intervalos de tiempo para variar el nivel de fuego. A medida que el ajuste se aumenta, el elemento térmico permanecerá encendido durante un período más prolongado, aumentando la temperatura a la que el grill cocina.



APAGADO DEL GRILL

Para apagar el grill, simplemente tocar y oprimir el sensor principal de potencia durante **dos segundos**. El controlador se desconectará y apagará el elemento térmico.

EN CASO DE EMERGENCIA, EL GRILL DE 120 V SE PUEDE APAGAR PRESIONANDO EL BOTÓN "TEST" EN EL DISPOSITIVO ICFT. CONSULTAR LA FIG. 5.

APAGADO AUTOMÁTICO

El control electrónico de su grill KENYON ha sido programado pensando en la seguridad y cuenta con un apagado automático. El grill está programado para apagarse después de un tiempo predeterminado de haber estado encendido (ver la tabla a continuación). El control también se apagará cuando alcance un límite de temperatura preestablecido. Si esto ocurre, dejar que el grill se enfríe durante 20-30 minutos.

TIEMPO DE PRECALENTAMIENTO Y APAGADO AUTOMÁTICO

El control del grill tiene una función de precalentamiento que aplica potencia completa durante una cantidad de tiempo preestablecida para cada ajuste de fuego seleccionado. Esta función de precalentamiento coloca la parrilla/plancha en la temperatura deseada para asar más rápido, permitiendo así que usted pueda empezar a asar antes. La siguiente tabla proporciona el tiempo de precalentamiento y el tiempo de apagado automático para cada ajuste de fuego.

AJUSTE	TIEMPO DE PRECALENTAMIENTO (min)	TIEMPO DE APAGADO AUTOMÁTICO (min)
1	1	90
2	3	90
3	5	90
4	5	60
5	7	60
6	7	60
7	7	60
8	8	60

GUÍA DE TEMPERATURA

La siguiente información está destinada a ser una guía. Factores tales como el viento y la temperatura exterior, la temperatura de los alimentos al ser colocados en el grill pueden afectar los tiempos de cocción. El grill está diseñado y fabricado para cocinar con un rendimiento óptimo con la tapa bajada o cerrada.

AJUSTE	TIPOS DE COMIDA
1	Huevos fritos a la plancha
2	Panqueques - Tostadas francesas a la plancha
3	Verduras
4	Verduras - Pescado
5	Pescado - Pollo
6	Pollo - Hamburguesas
7	Hamburguesas - Bistecs
8	Bistecs

Cable de alimentación

ESTO SE REFIERE ÚNICAMENTE A LOS MODELOS DE 120 V

INTERRUPTOR DE CIRCUITO POR FALLA A TIERRA (ICFT)

El ICFT es un dispositivo de seguridad diseñado para proteger al usuario de cualquier peligro de descarga eléctrica.

INDICADOR DE LUZ

El indicador de luz permanecerá iluminada cuando se aplique corriente eléctrica e indica que el ICFT está funcionando correctamente.

BOTÓN DE PRUEBA/APAGADO DE EMERGENCIA

Presionar este botón comprobará el ICFT. El indicador de luz se apagará y no se suministrará corriente eléctrica al grill. El ICFT debería ser probado cada mes.

BOTÓN DE REINICIO

Presionar este botón devolverá el ICFT a su funcionamiento normal. La lámpara indicadora se iluminará y se suministrará corriente eléctrica al grill. Si la lámpara indicadora no se ilumina, el ICFT ha detectado una falla de funcionamiento. Desenchufar el ICFT del receptáculo y no usar el grill.

ENCHUFE DE 3 TERMINALES CON CONEXIÓN A TIERRA

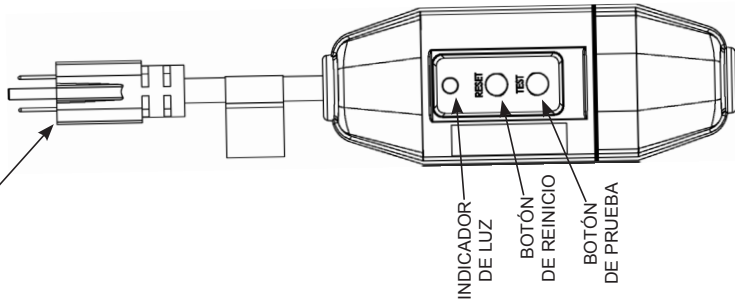
PRECAUCIÓN - Para garantizar una protección continua contra el riesgo de descarga eléctrica, el ICFT debe estar enchufado en una toma debidamente conectada a tierra.

NO USAR UN CABLE DE EXTENSIÓN

DISPOSITIVO PROTECTOR POR FALLA A TIERRA PARA MODELOS DE 240 V

El circuito de voltaje de alimentación (240 V) debería contar con un dispositivo protector por falla a tierra. Verificar los requisitos de cumplimiento normativo en los códigos locales.

ENCHUFE DE 3 TERMINALES CON CONEXIÓN A TIERRA



INDICADOR DE LUZ
BOTÓN DE REINICIO
BOTÓN DE PRUEBA

INTERRUPTOR DE CIRCUITO POR FALLA A TIERRA ICFT

Fig. 5

Partes del grill

ELEMENTO TÉRMICO

El elemento térmico está diseñado para pivotar como se muestra con el fin de extraer/reemplazar la bandeja deflectora y la bandeja de goteo. Permanecerá en la posición de arriba. Para bajarlo aplique una ligera presión hacia abajo.

BANDEJA DEFLECTORA

La bandeja deflectora soporta la bandeja de goteo, el elemento térmico y la parrilla y se debe usar siempre al operar el grill.

BANDEJA DE GOTEO

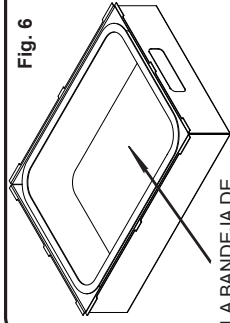
La bandeja de goteo desechable recoge toda la grasa y los jugos creados durante el proceso de cocción. La bandeja de goteo debe vaciarse después de cada uso. Al reemplazar la bandeja de goteo, colócala de manera que esté completamente dentro de la bandeja deflectora y asegurándose de que el lado o el borde de la bandeja de goteo no sobresale por fuera de la bandeja deflectora. (ver la Fig. 6)

Para prevenir que el contenido de la bandeja de goteo despida humo, vierta una taza de agua (o suficiente para cubrir el fondo de la bandeja) en la bandeja de goteo antes de cocinar. El reemplazo para la bandeja de goteo desechable de Kenyon es la pieza n° B96001.

PARRILLA

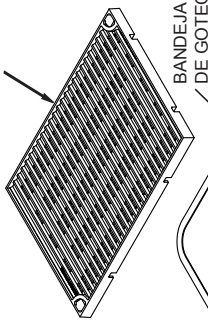
La parrilla debe limpiarse después de cada uso. La parrilla tiene un revestimiento antiadherente para facilitar la limpieza. Lavar la parrilla después de cada uso con agua caliente y jabón.

Fig. 6

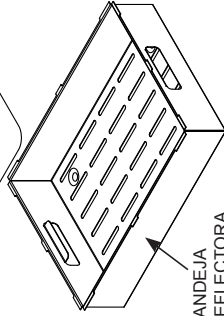


LA BANDEJA DE GOTEO DEBE ESTAR DENTRO DE LA BANDEJA DEFLECTORA COMO SE MUESTRA

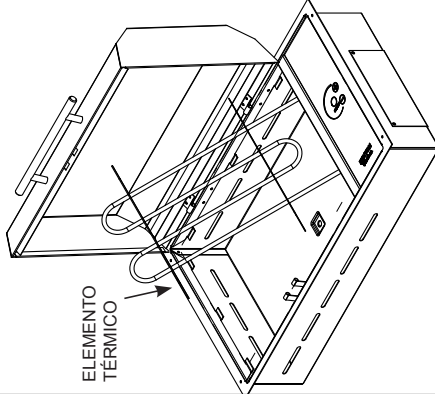
PARRILLA



BANDEJA DE GOTEO



BANDEJA DEFLECTORA



ELEMENTO TÉRMICO

Extracción de la tapa

EXTRACCIÓN DE LA TAPA

La tapa del grill se puede extraer para su limpieza. Para extraer la tapa, deslice el pasador de liberación rápida para sacarlo de la bisagra. (ver la Fig. 7).

Con el pasador de liberación rápida retirado, agarrar la tapa, levantándola por el lado izquierdo para salvar la bisagra y deslizarla hacia la izquierda hasta haber salvado el pasador de la bisagra a la derecha (ver la Fig. 8). Una vez que la tapa se haya extraído se puede lavar con agua y jabón.

Fig. 7

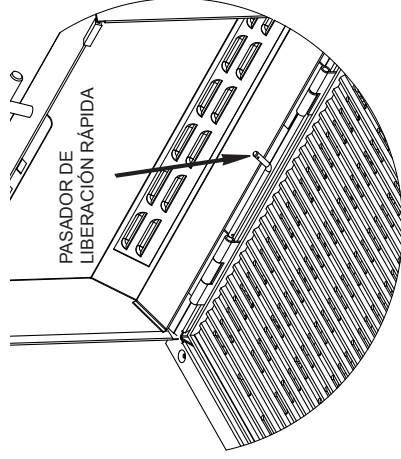
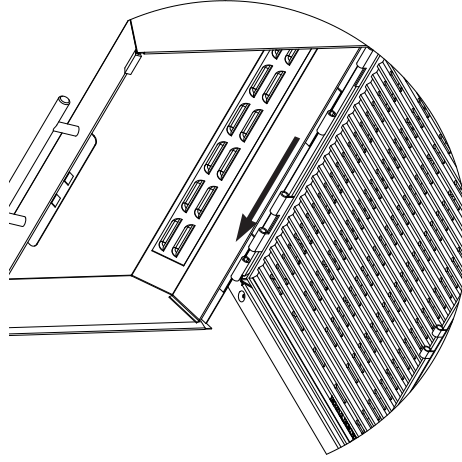


Fig. 8



Garantía

Kenyon International, Inc (la "Compañía") garantiza que este producto no tenga defectos de materiales ni mano de obra en su uso normal, sujeto a las condiciones y limitaciones a continuación. La Compañía reparará o reemplazará toda pieza que se pruebe esté defectuosa en su uso normal durante el período de garantía.

Esta garantía cubre ciertos productos fabricados por la Compañía y está sujeta a las siguientes condiciones y limitaciones:

1. La responsabilidad de la Compañía se limitará a la reparación o reemplazo (elección de remedio a opción de la Compañía) de bienes o piezas en la medida en que puedan tener defectos de materiales o mano de obra. Esta responsabilidad se limita a tres años a partir de la fecha de instalación original o 42 meses desde la fecha de la factura, lo que ocurra primero; esta garantía cubre piezas y mano de obra a la tarifa aprobadas por la Compañía de \$75 la hora.
2. La determinación de la idoneidad del producto para el uso contemplado por el comprador es responsabilidad exclusiva de este último y la Compañía no tendrá ninguna responsabilidad en cuanto a la misma.
3. La Compañía no se hará responsable de ningún daño a consecuencia de:
 - fallas debidas al uso del producto en aplicaciones para las que no fue concebido;
 - fallas debidas a corrosión, desgaste, mal uso o instalación o mantenimiento indebidos.
4. La Compañía asumirá la responsabilidad de los gastos de embarque terrestre hasta el lugar del electrodoméstico (domicilio) dentro de Estados Unidos continental y Canadá. Todos los impuestos o gastos que resulten del embarque urgente o especial correrán a cargo del comprador.
5. Toda mano de obra permitida por la Compañía bajo esta garantía debe ejecutarse en un centro de servicio autorizado por Kenyon-Internacional, excepto que la Compañía lo especifique por escrito de otra manera.
6. Esta garantía no cubre el costo de reparación ni reemplazo por daños de cualquier superficie de vidrio, parrillas de cocción o planchas de asar.

NO SE DA NINGUNA OTRA GARANTÍA DE COMERCIABILIDAD NI IDONEIDAD PARA UN FIN EN PARTICULAR NI DE OTRO TIPO; EXPRESA O IMPLÍCITA NI NINGUNA OTRA DEBERÁ SER IMPLICADA POR LA LEY. La duración de cualquiera de tales garantías que esté, sin embargo, implicada por la ley en beneficio del consumidor, se limitará a un período de tres años a partir de la compra original por parte del usuario. Algunos países no permiten limitaciones en lo referente al tiempo que deberá durar una garantía implícita, de modo que puede ser que esta limitación no se aplique en su caso.

LA COMPAÑÍA NO SERÁ RESPONSABLE DE NINGÚN DAÑO EMERGENTE NI INCIDENTAL QUE SURJA POR CONTRAVENCIÓN DE ESTA GARANTÍA, YA SEA EXPRESA, IMPLÍCITA O ESTATUARIA. Algunos países o estados no permiten la exclusión o limitación de daños consecuentes ni incidentales, de modo que puede que esta limitación o exclusión no se aplique en su caso.

ESTA GARANTÍA LE DA A USTED DERECHOS LEGALES ESPECÍFICOS Y ES POSIBLE QUE USTED TENGA TAMBIÉN OTROS DERECHOS LEGALES, LOS QUE PUEDEN DIFERIR ENTRE PAÍSES O ESTADOS.

Kenyon International, Inc.
P.O. Box 925 • 8 Heritage Park Road • Clinton, CT 06413 USA
Teléfono (860) 664-4906 FAX: (860) 664-4907

