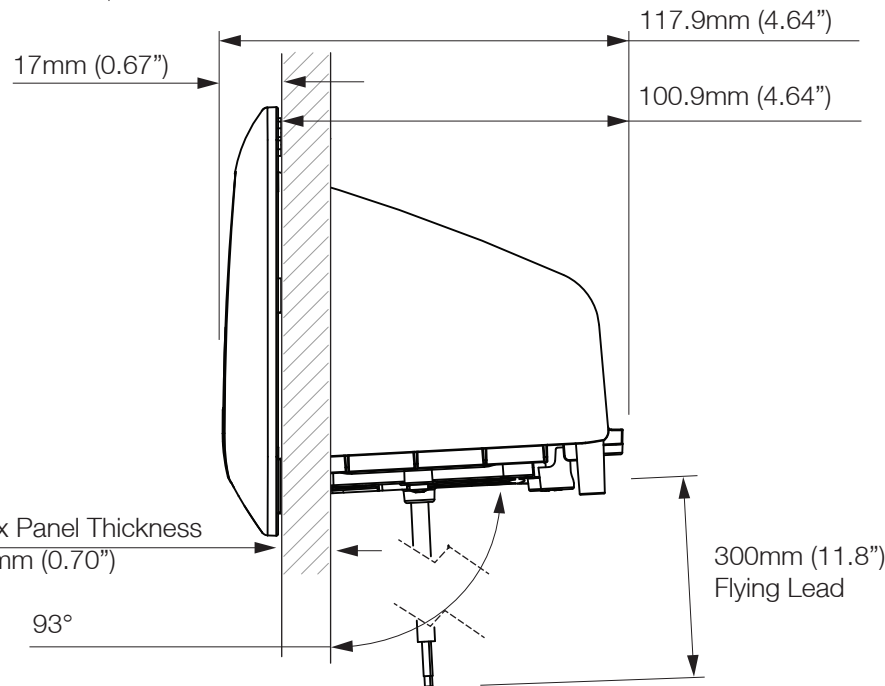
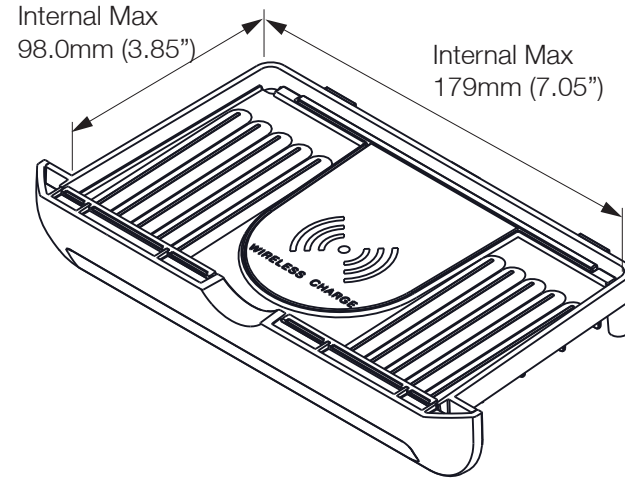
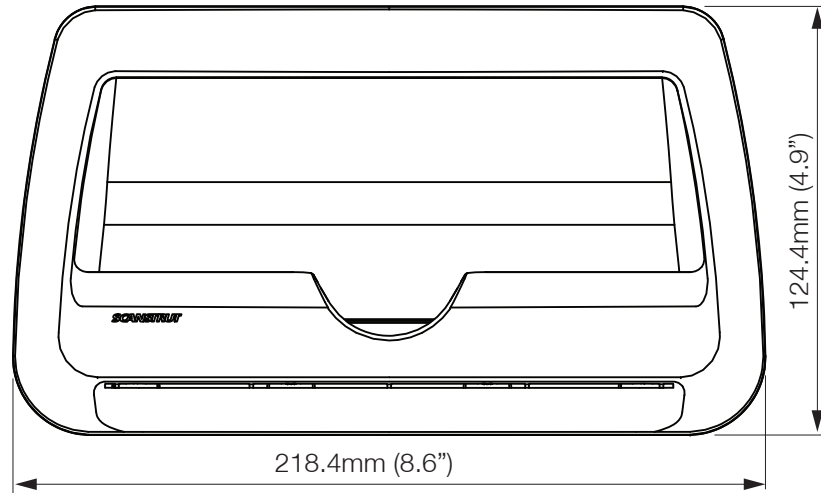
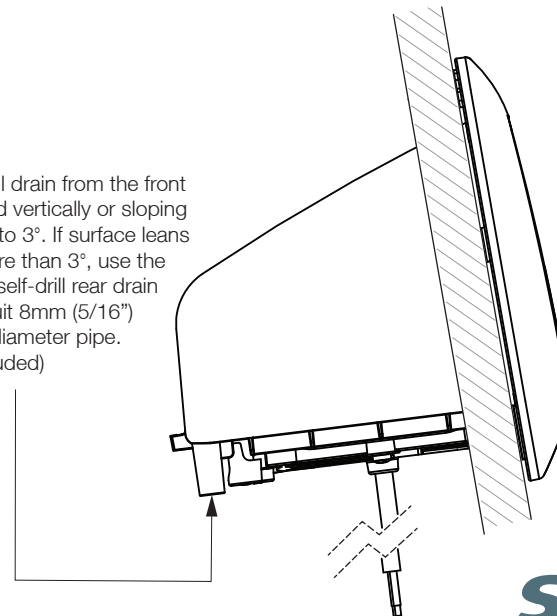


# ROKK Wireless Cove. 10W - SC-CW-09F

Email: sales@scanstrut.com Email: usasales@scanstrut.com



Water will drain from the front if installed vertically or sloping back up to 3°. If surface leans back more than 3°, use the optional self-drill rear drain holes. Suit 8mm (5/16") internal diameter pipe. (Not included)



## Technical information.

### Wireless Charger.

Input voltage range	10-30V DC (12/24V system)
Input current max	2A
Output power	10W (9.1V, 1A)
Standby power draw	< 0.2W
Waterproof rating	IPX6 front and back
Certification	Qi, CE, UKCA, FCC, ROHS, C-Tick, UNECE R10 E24, UKCA, IC, PSE

**SCANSTRUT**®

# ROKK Wireless Cove. 10W - SC-CW-09F

Email: sales@scanstrut.com Email: usasales@scanstrut.com

